

FR ONE

FR

2019

free rider

FR One is the 1st mobility scooter like a your sporty car from appearance to performance.







FreeRider

Power your life



FR 100/100

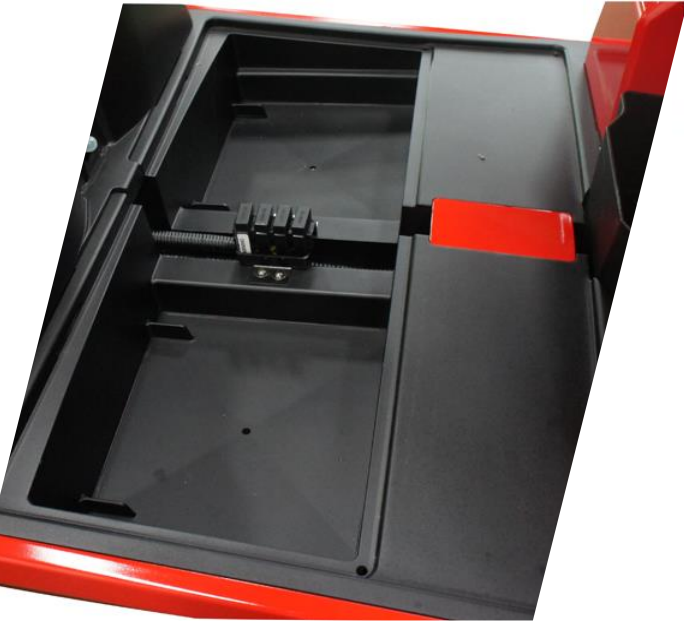




MK
POWERED
inside



USB PORT & STORAGE



EXTRA STORAGE SPACE



TILLER STORAGE

FEATURES

Captain Seat

Seat angle adjustable

Front & rear Spring
Suspensions

Full LED lighting system

LCD Digital Display

13" Pneumatic tires

USB Port

Tiller height adjustable

Hand break

Quick-Speed Control

Dual-rear mirrors

Mud guard

Extra Storage Space

Universal Joint

Universal joints is a positive, mechanical connection between rotating shafts, which are usually not parallel, but intersecting. They're used to transit motion, power, or both.

We're the **1st** manufacture to adopt this tech which has been using from vehicle industry for a long time.

Benefits of U-Joints in vehicle industry

1. Decreasing the vibration and noise.
2. Reducing the efforts to make a turn.

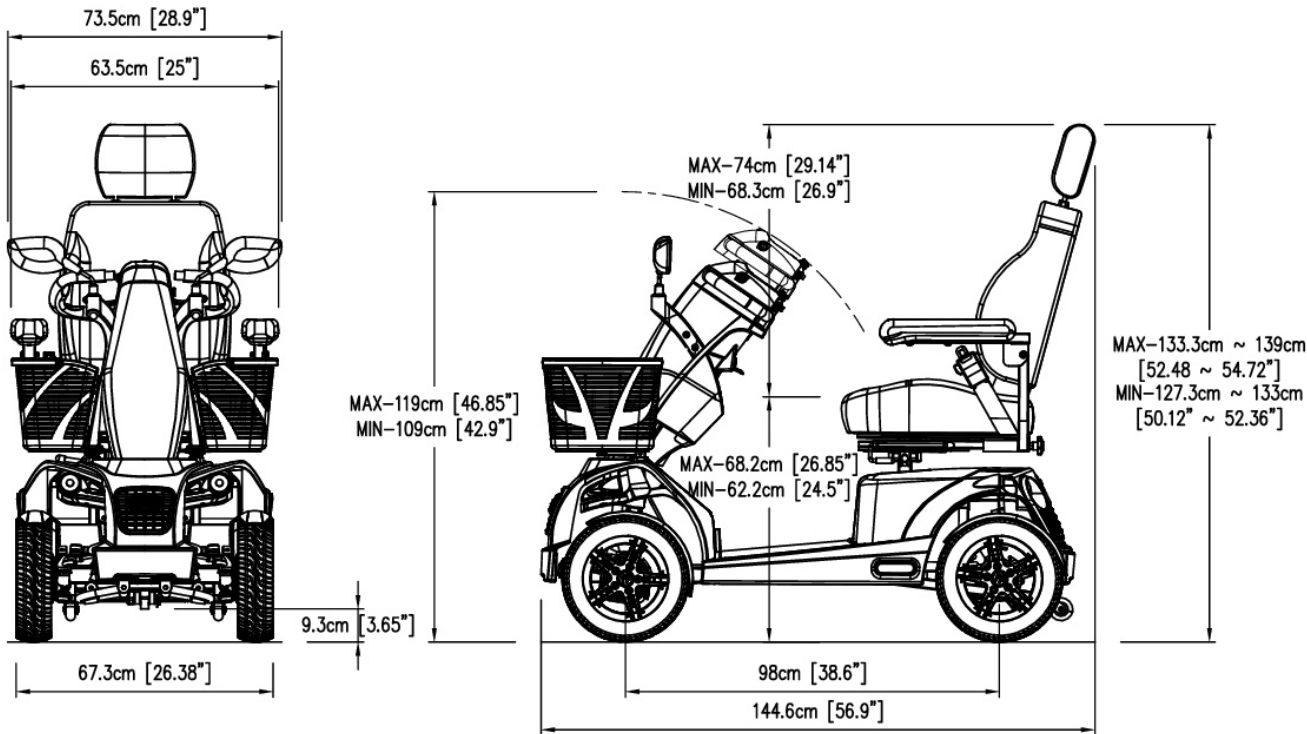
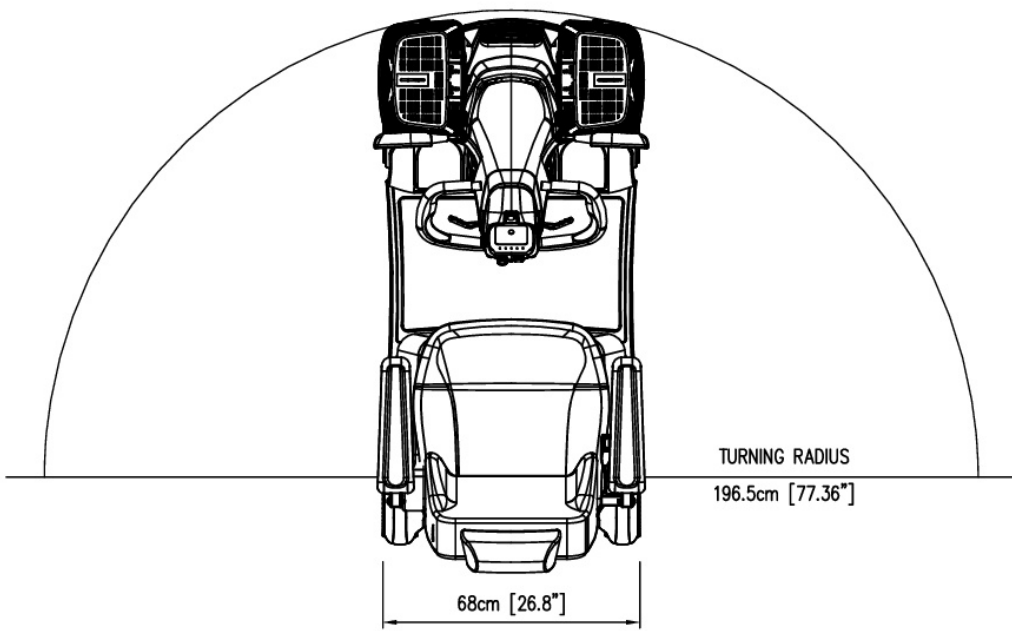


Steering is like
driving cars



Handle Height adjustable





Top Speed	9.4 mph
Weight Cap	400lbs
Range	Up to 40 miles
Overall Length	57"
Overall Width	27"
Front Wheel	13" Pneumatic
Rear Wheel	13" Pneumatic
Ground Clearance	5.8"
Turning Radius	77"
Seat Width & Depth	17" & 17"

COLORS



Arctic White



Spirit Red



Iron Gray







2019

JOIN US

FREERIDER USA
8696 Utica Ave Rancho Cucamonga, CA 91730
Email: sales@freeriderusa.com
TEL: 909-466-7996
FAX: 909-466-7990