

**METRO**  
MOBILITY



# CATALOG

**METRO**  
MOBILITY

Travel with ease, style and independence

114-02 15th Ave. Unit 2,  
College Point, NY, 11356.

[www.metro-mobilityusa.com](http://www.metro-mobilityusa.com) | [info@metro-mobility.com](mailto:info@metro-mobility.com)

# About Metro Mobility

Drive with ease, style and independence  
MetroMobility USA is a US based company specializing in the design and development of disability and mobility vehicles. With the headquarters located in NY,  
MetroMobility USA aims to provide the best mobility/disability scooters to the elderly population, the disabled community, and individuals with disabilities that inhibit movement such as arthritis.



# Travel Scooters



	M1 Lite	M1	Patriot	Max Sport	Max Plus	S700	S800
<b>Front Tires</b>	9"x2.5" solid	9"x3" solid	9"x3" pneumatic	9"x3" solid	9"x3" pneumatic	13"x4" pneumatic	13"x5" pneumatic
<b>Rear Tires</b>	9"x3" solid	9"x3" solid	9"x3" pneumatic	9"x3" solid	9"x3" pneumatic	13"x4" pneumatic	13"x5" pneumatic
<b>Maximum Speed</b>	Up to 4.97 mph	Up to 4.97 mph	Up to 4.97 mph	Up to 4.97 mph	Up to 4.97 MPH	Up to 9.32 MPH	Up to 9.32 MPH
<b>Ground Clearance</b>	5.25"	5.25" at mid-frame	5.5" at mid-frame	5.25" at mid-frame	5.5" at mid-frame	6.5" at mid-frame	7" at mid-frame
<b>Turning Radius</b>	42.5"	42.5"	42.5"	46"	46"	67"	87"
<b>Length/Width</b>	41"/20"	41"/20"	41"/20"	42.5"/20"	42.5"/20"	56"/26"	52"/28.5"
<b>Seat-to-ground Height Range</b>	13.75" at side deck	13.75" at side deck	14" at side deck	13.75" at side deck	14" at side deck	23.5" at the side deck	24" at the side deck
<b>Seat Type(standard)</b>	Compact, Foldable (17")	Compact, Foldable (17")	Compact, Foldable (17")	Compact, Foldable (17")	Compact, Foldable (17")	Limited reclining high back pillow top (19")	Limited reclining high back pillow top (19")
<b>Weight</b>	With batteries: 95 lbs. Without batteries: 74 lbs.	With batteries: 101 lbs. Without batteries: 80 lbs.	With batteries: 104 lbs. Without batteries: 83 lbs.	With batteries: 101 lbs. Without batteries: 80 lbs.	With batteries: 115 lbs. Without batteries: 87 lbs.	With batteries: 430 lbs. Without batteries: 359 lbs.	With batteries: 273 lbs. Without batteries: 213 lbs.
<b>Seat-to-deck Height Range</b>	9.5"-12.5"	11"-14.25"	11"-14.25"	9"-12.25"	9"-12.5"	14"	17"
<b>Battery Weight</b>	21 lbs.	21 lbs.	21 lbs.	21 lbs.	28 lbs.	71 lbs.	60 lbs.
<b>Battery Requirement</b>	(2) 12 AH	(2) 12 AH	(2) 12 AH	(2) 12 AH	(2) 20AH	(2) 55 AH	(2) 52 AH
<b>Per Charge Range(max.)</b>	UP to 10 miles	UP to 10 miles	UP to 10 miles	UP to 10 miles	UP to 16 miles	UP to 19-25 miles	UP to 19-25 miles
<b>Battery Charger</b>	2A	2A	2A	2A	3A	5A	5A
<b>Suspension</b>	N/A	Rear	Rear	Rear	Rear	Front & Rear	Front & Rear
<b>Maximum Weight Capacity</b>	265 lbs.	300 lbs.	300 lbs.	300 lbs.	300 lbs.	330 lbs.	400 lbs.
<b>Weight Of Heaviest Piece</b>	55 lbs.. (Scooter base)	60 lbs.. (Scooter base)	63 lbs.. (Scooter base)	61 lbs.. (Scooter base)	63 lbs.. (Scooter base)	430 lbs.	273 lbs.

# M1 Lite

Red ■ Blue ■

## Description

Quickly and easily disassembled into 4 pieces, The heaviest piece(63 lbs) can be folded up to a dimension as (44"L x 20"W x 17"H), it can be easily placed into the trunk of the car, portable.

Rest your wrists on the bar and drive the scooter with the lever with no effort, whether use right or left hand! There is a variable speed dial, a horn button as well as a battery indicator on the panel for easy maneuverability.

With anti-tip wheels and intelligent electromagnetic brake, the scooter is safe and stable for users of disability and elder.

## Features

- High-performance operation and easy disassembly
- Flip-up and adjustable armrests
- Detachable front basket
- Stylish and classic appearance
- 9" Flat-free, non-marking tires
- Quick Connect Batteries



1 Detachable front basket



2 Adjustable tiller

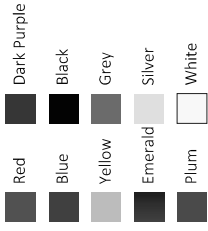


3 9" Flat-free, non-marking tires



4 Adjustable seat

# M1



## Description

The Metro Mobility M1 portal 4-wheel mobility scooter is one of the easiest and simplest portable mobility scooters ever made with superior value. This scooter makes a great choice whether it is for traveling to work, running errands or general day-to-day usage. Some of these features include comfortable seating, easy portability, an intuitive control panel, and convenient maneuverability.

## Features

- Front & Rear LED Light
- 300W Powerful Motor
- 9 inches front & rear solid tyres
- Rear Suspension
- 3.94 Inches thickness comfortable seat
- Max forwarding speed: 4.97mph
- Weight capacity: 136kg(300lbs )
- Max driving gradient : 10°
- Driving Range: 10 miles



### 1 Headlight and Brake light

For your safety



### 2 Front Bumper

Also serves as handle for folding transportation



### 3 Safety is first

Protection from overturn



### 4 Spring suspension

Manual driving without batteries



### 5 Freewheel Function

Manual driving without batteries

# Patriot

## Description

The Metro Mobility Patriot 4-wheel mobility scooter is a premier version of the M1 mobility scooter. It incorporated high end looking and feel and additional features in addition to what M1 offers.

With four big pneumatic tires, the scooter with big clearance is able to go farther and suitable for more terrains.



5 Freewheel mechanism



1 USB Charging port



2 Cup holders



3 Anti-tip wheels



4 Pneumatic tyres

## Features

- Clear and simple control panel
- Adjustable tiller to offer best posture.
- Large sized pneumatic tires: Front 12" Rear: 13"
- Creative solar panel
- Convenient charging port
- Front and rear suspension
- Directional lights, Front and rear LED
- High performance motor
- Enhanced 150kg(330lbs.) weight capacity
- Speeds up to 15km/h (9.4mph)
- Includes Cup Holder located in the tiller
- Comfort-trac front and rear suspension
- Optional rear Storage Pod

# Max Sport



## Description

The Metro Mobility MAX Sport scooter combines easy and convenient mobility with superior value. Which has large legroom, easy to disassemble-perfect for taking wherever you want to go, either around the neighborhood or far from home.

## Features

- Comfortable Larger legroom
- 2 in. 1 Cup & Phone Holder
- Front & Rear LED Light
- 300W Powerful Motor
- 9 inches front & rear solid tyres
- Rear Suspension
- 3.94 inches thickness comfortable seat
- Max forwarding speed: 4.97mph
- Weight capacity: 136kg(300lbs )
- Max driving gradient: 10°
- Driving Range: 10 miles
- High-performance operation and easy disassembly
- Sliding swivel seat with flip-up armrests
- Intelligent electromagnetic brake



**1 Cup & phone holder**  
For your safety



**2 Headlight and Brake light**  
For your safety



**3 Safety is first**  
Protection from overturn



**4 Spring suspension**  
For better riding experience



**5 Freewheel Function**  
Manual driving without batteries

# Max Plus

## Description

The Metro Mobility MAX PLUS scooter is ideal for both indoor and outdoor use, with around 16Miles driving range helps you go more farther than other compact size mobility scooters.

Equipped with springs and sturdy bumper in front, users can adjust the tiller to meet their own needs.

## Features

- Front Board with 2 cup holders & USB Charging Port
- 9" Large flat tires improve traction and reduce maintenance
- Driving Range: 16 miles
- Crutch box accessories
- Front & Rear LED Light
- 3.94 Inches thickness comfortable seat
- Max forwarding speed: 4.97mph
- Weight capacity: 136kg(300lbs )
- Max driving gradient: 12°
- Driving Range: 10 miles
- Simple control panel can operate with fingertips or thumbs effortlessly



1 USB Charging port



2 Cup holders



3 Anti-tip wheels



6 Crutch box



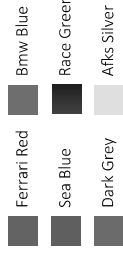
5 Freewheel mechanism



4 Pneumatic tyres



# S700



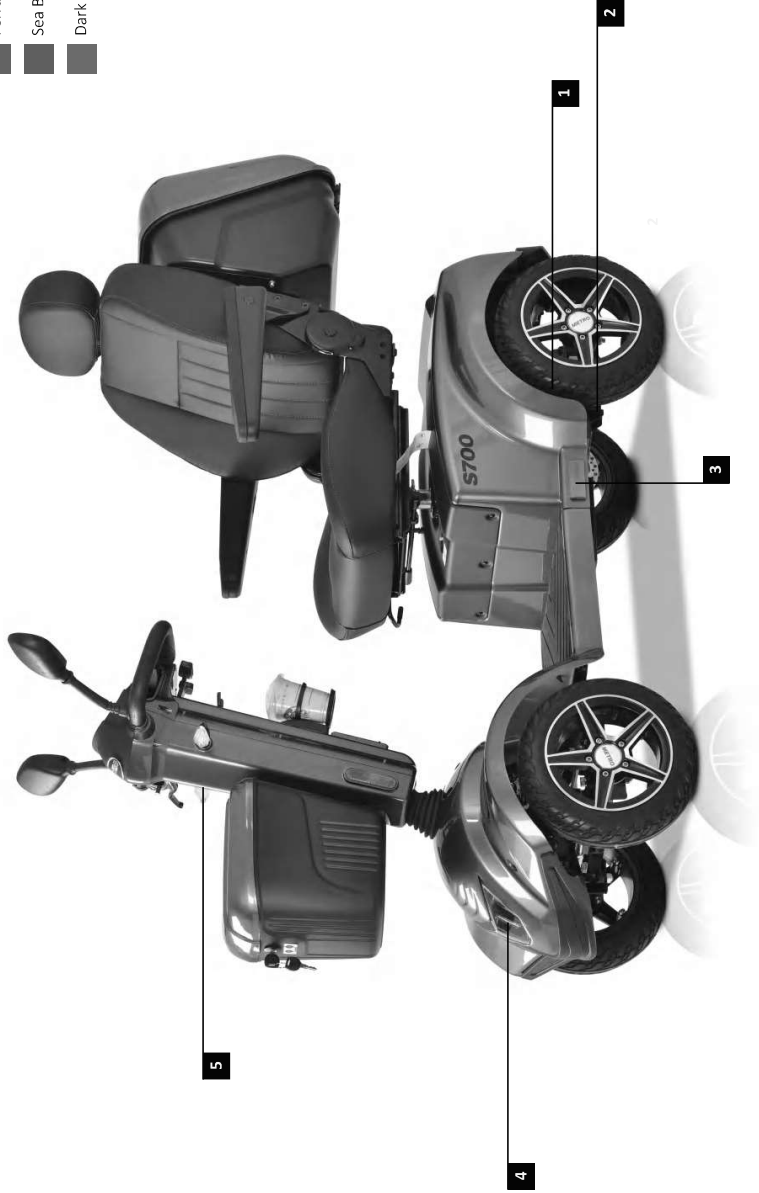
## Description

With four big pneumatic tires, the scooter with big clearance is able to go farther and suitable for more terrains.

Simple and clear console enables you to steer the scooter effortlessly.

## Features

- Multi-feature digital dash/LCD display with easy read user controls
- Clear and simple control panel
- Adjustable tiller to offer best posture.
- Large sized pneumatic tires: Front 12" Rear: 13"
- Convenient USB charging port
- Comfort front and rear suspension
- Directional lights, Front and rear LED
- High performance motor
- Enhanced 150kg(330lbs.) weight capacity
- Speeds up to 15km/h (9.4mph)
- Includes Cup Holder located in the tiller
- Extra rear Storage Pod
- Efficient, extra bright LED lighting (Tail Lights and Turn Signals)



### 1 Electromagnetic Brake

For your safety



### 2 Anti-tip Roller

For your safety



### 3 Reflectors

Protection from overturn



### 5 Turn Signals

Manual driving without batteries



### 4 Headlights

For better riding experience

# \$800

## Description

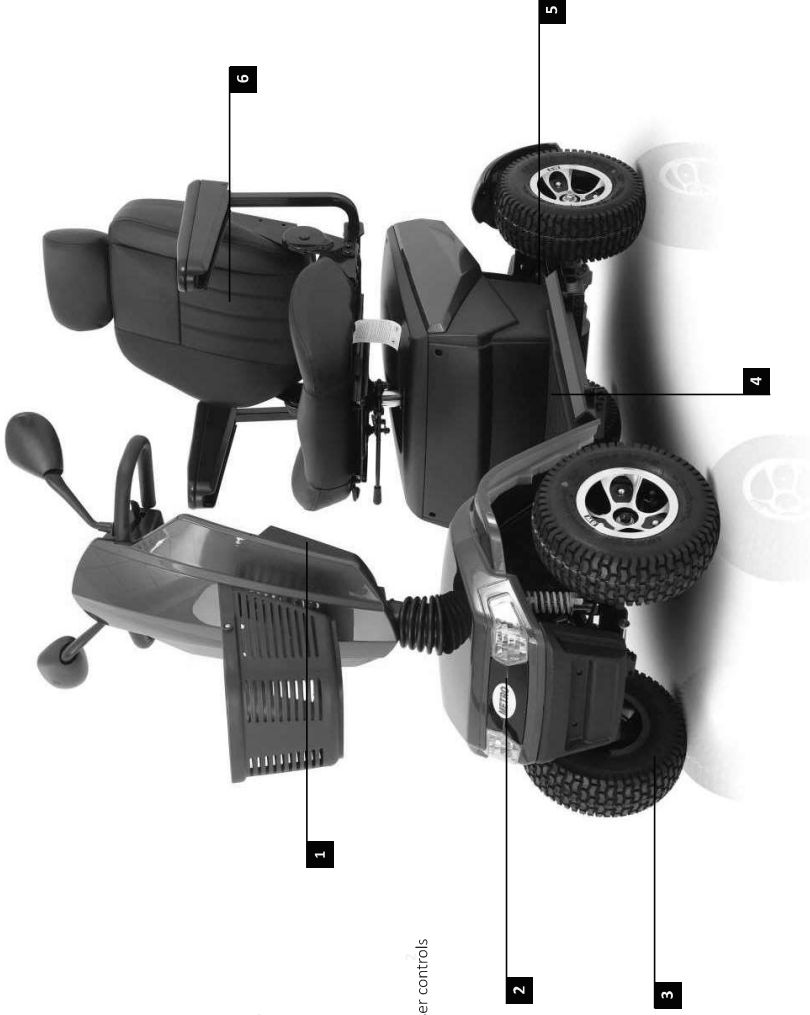
Large-sized mobility scooter of high power with four pneumatic, extra-sturdy tires makes it possible to surmount obstacles effortlessly.

Air spring device equipped in the tiller together with flip-up and adjustable armrests and backrest are ready to give users great flexibility and convenience.

## Features

- Ultra-comfortable seating
- Multi-feature digital dash/LCD display with easy read user controls
- Full suspension for optimum handling
- Exceptional leg room
- 13" pneumatic tires
- Enhanced 180kg(400lbs.) weight capacity
- Speeds up to 15km/h (9.4mph)
- Storage and Cup Holder located in the tiller

- Red
- Blue
- Grey



6 Ultra-comfortable seating



5 Full suspension for optimum handling



1 Storage and cup holder



2 Headlights



3 13" pneumatic tires



4 Exceptional leg room