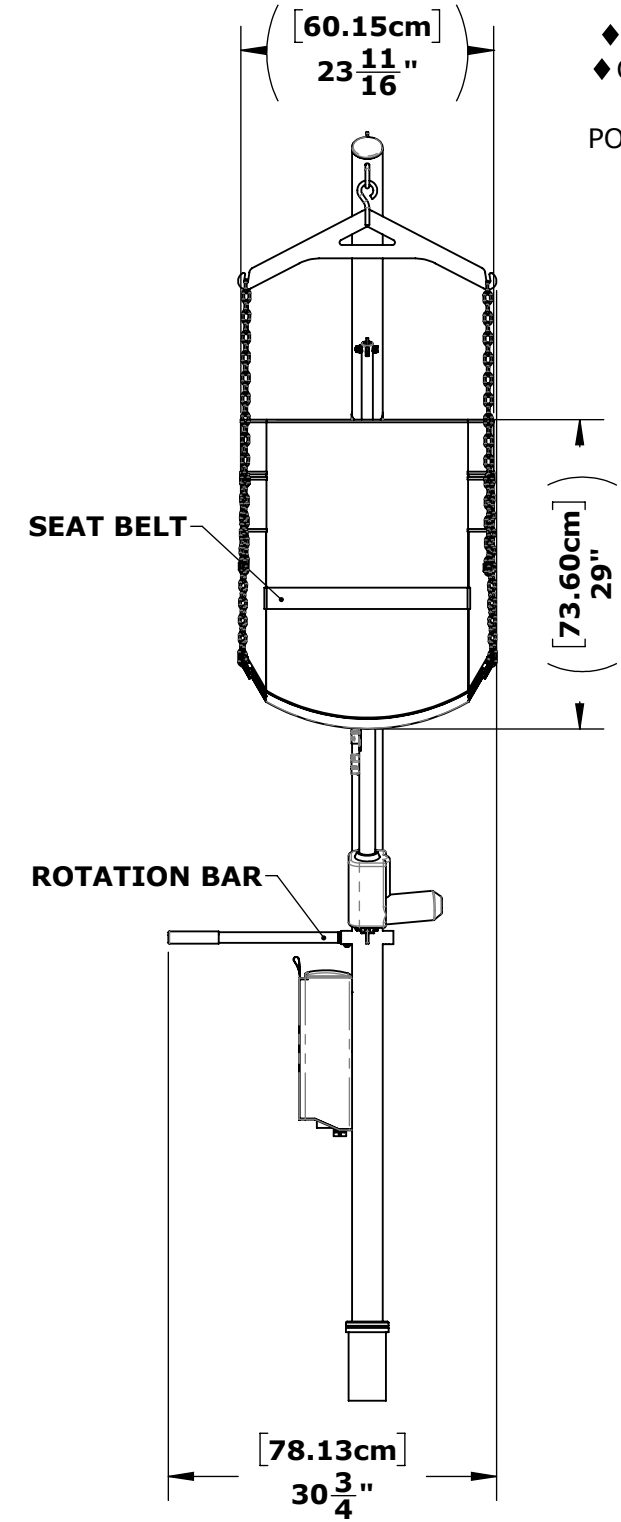
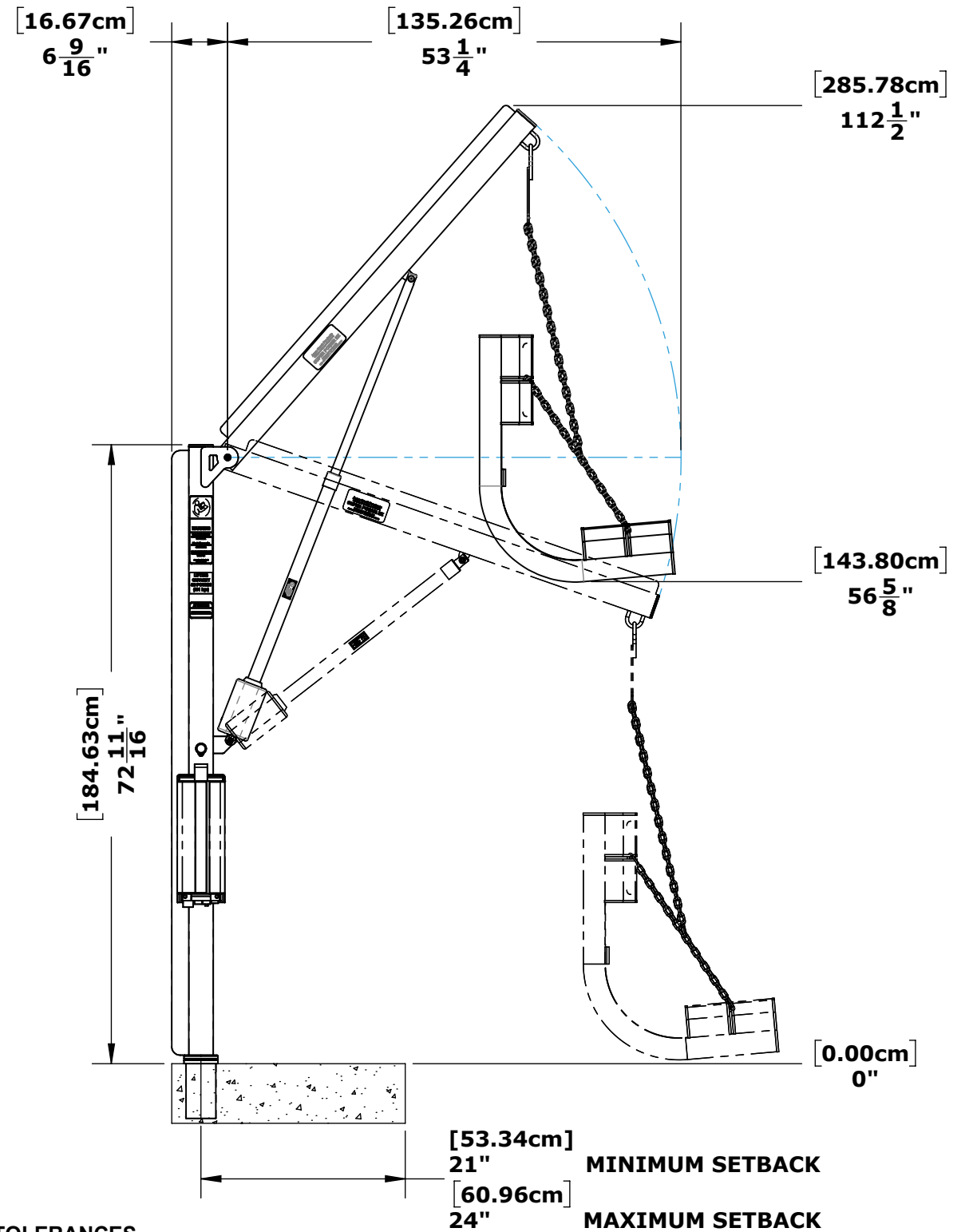


FEATURES

- ◆ 400 LB. (181 KG.) WEIGHT CAPACITY
- ◆ SETBACK RANGE 21" TO 24" (54 - 61 cm)
- ◆ CLEARANCES VARY BY WALL HEIGHT & WIDTH WATER
- ◆ CLEARS WALLS UP TO 58" (147cm)
- ◆ 360 ROTATION
- ◆ ALL STAINLESS STEEL CONSTRUCTION
- ◆ DURABLE POWDER COAT FINISH
- ◆ FULLY ADJUSTABLE MESH SLING
- ◆ FIVE YEAR STRUCTURAL WARRANTY
- ◆ FIVE YEAR PRO-RATED ELECTRONICS WARRANTY

CLICK HERE TO VIEW THIS PRODUCT:
[HTTPS://AQUACREEKPRODUCTS.COM/SPEZ/](https://aquacreekproducts.com/spez/)



MATERIAL: 304 STAINLESS STEEL
 FINISH: POWDER COAT - WHITE
 APPROX. WEIGHT: 116.175 LBS.

SUPER POWER EZ

MESH SEAT (STANDARD)

PART NO. F-194PHBL-NA

TOLERANCES
 DIMENSIONS ARE IN INCHES
 UNLESS OTHERWISE SHOWN
 FRACTIONAL: ±1/16
 ANGULAR: ±1°
 TWO PLACE DECIMAL: ±.01
 THREE PLACE DECIMAL: .. ±.005



9889 GARRYMORE LANE
 MISSOULA, MT 59808
 (406) 549-0769
 FAX (406) 549-2602
 www.AquaCreek.com

PROPRIETY AND CONFIDENTIAL INFORMATION

THIS DRAWING AND ALL INFORMATION CONTAINED HEREIN IS THE SOLE PROPERTY OF AQUA CREEK PRODUCTS LLC. ANY REPRODUCTION IN PART OR AS A WHOLE WITHOUT WRITTEN PERMISSION FROM AQUA CREEK IS PROHIBITED.

*SPECIFICATIONS ARE SUBJECT TO CHANGE WITHOUT NOTICE

REVISIONS			
REV.	DESCRIPTION	DATE	APPROVED
P1	PRODUCTION RELEASE	4/7/2021	J.MAXWELL

SUPER POWER EZ - F-194PHBL-NA

51-163-220

SCALE
1:18

SHEET
1