

# DRIVE FULL-ELECTRIC LIGHTWEIGHT BARIATRIC BED

42" WIDTH (15300LW)

## OWNER'S ASSEMBLY AND OPERATING MANUAL



Item # 15300LW with Half Rails

This manual must be given to the Owner/User of this bed and should be read carefully before putting this product into use. Keep manual in an accessible location for future reference.

# TABLE OF CONTENTS

<b>Standard Symbols &amp; Warning Labels</b> .....	<b>1-3</b>
<b>General Safety</b> .....	<b>4-6</b>
<b>Intended Use and Contraindications</b> .....	<b>7</b>
<b>Overview and Mattress Recommendations</b> .....	<b>7</b>
<b>Packaging and Handling</b> .....	<b>8</b>
<b>Assembly Instructions</b> .....	<b>9</b>
<b>Frame Assembly</b> .....	<b>10</b>
<b>Bed Operation</b> .....	<b>14</b>
<b>Bed Rail Installation</b> .....	<b>16</b>
<b>Additional Accessories</b> .....	<b>17</b>
<b>Technical Specifications</b> .....	<b>18</b>
<b>Maintenance &amp; Safety Checks</b> .....	<b>19</b>
<b>Additional Warnings</b> .....	<b>21</b>
<b>Electromagnetic Emissions &amp; Immunity</b> .....	<b>24</b>
<b>Troubleshooting</b> .....	<b>28</b>
<b>Appendix: A Guide to Bed Safety Bed Rails</b> .....	<b>29</b>

**NOTE:** DO NOT operate this product without first reading and understanding this user manual. Damage or injury may result from improper use of this product.

# GENERAL SAFETY

NOTE: In this manual, the terms patient and resident refer to a resident in a homecare environment.



## WARNING

- Do not operate this equipment without first completely reading and understanding these instructions and any additional supplemental material provided with this equipment.
- Do not use this product if any of the components received are damaged or malfunctioning
- NEVER allow any individual or objects be placed under the bed at any time
- DO NOT let any body parts protrude or extend over the side or between parts, especially when the bed is being operated.
- Damage or injury may result from improper use of this product.



## WARNING

Never exceed the safe working load capacity of this bed. The safe working load capacity of this bed is 600lbs (272kg). This includes all accessories and options (not all accessories and options can be used at the same time). Once a patient's weight is known (X), subtract that from total safe working load (Y) and the remainder is the allowable weight for mattress, accessories, and optional equipment (Z). ( $Z = Y - X$ )

Example: Patient Weight: 500lbs

Accessory equipment that may be used on 42" bed (Z),  $Z = 600 - 500 = 100$

If the patient weighs 500lbs, it is safe you use 100lbs total of accessories, i.e. \* Half rail pair (25lbs), Mattress weight (30lbs) and trapeze (26 lbs.)

\*these are accessory weight estimates

- This homecare bed should be left in its lowest position, except when care is being provided, in order to reduce risk of injury due to falls
- The bed MUST be connected to an appropriate power source. Unless equipped with battery backup, this bed will not operate when not plugged in. Main cable and proper function must be checked regularly.
- Possible Injury or Death may occur if bed is pushed over abrupt thresholds while bed is occupied.
- Possible Injury or Death may occur if bed is pushed over abrupt thresholds while bed is occupied. **This bed is not intended for patient/resident transport.** Please use an approved resident transport device when moving a resident.



## DANGER

- Possible injury or Death may occur if accessories are not provided and therefore tested by Drive DeVilbiss Healthcare. Please contact Drive DeVilbiss Healthcare for accessory parts that are compatible with this bed.
- Possible injury or Death may occur if replacement parts are not provided and therefore tested by Drive DeVilbiss Healthcare. Please contact Drive DeVilbiss Healthcare for replacement parts compatible with this bed.



## **DANGER SHOCK HAZARD**

- DO NOT plug anything into the control box of bed (i.e. pendants and actuators) while mains cable (power cord) is plugged into the wall outlet.
- Any cords or tubing used on or with this bed MUST be routed and secured properly to ensure that they do NOT become entangled, kinked or severed during normal operation of the bed.
- DO NOT roll the bed over any power or pendant cords.
- DO NOT open any motors, control boxes, or pendants. Service and repair must only be performed by authorized service personnel. Unauthorized service of any of these components nullifies the warranty.
- Inappropriate handling of power supply cords can create a shock hazard.
- When routing cables from other equipment while using this homecare bed, precautions should be taken to avoid squeezing/capturing those cables between parts of the bed
- DO NOT allow the cord, electrical outlets, and electrical control box or hand pendant to become wet or submerged in fluid.
- DO NOT operate the bed if any electrical component such as the power cord, electrical outlet, connections, motor/ actuator or mechanical component has malfunctioned or has been damaged in any way.
- The bed MUST be connected to an appropriate power source. Unless equipped with the optional battery backup, this bed will not operate when not plugged in. Main cable and proper function must be checked regularly.
- Possible injury or Death may occur due to pendant cord being a source for entangling patient/resident. Patients/ residents with decreased mental acuity should NOT have access to pendant.
- Be sure to unplug the equipment prior to any servicing or cleaning.



## **FIRE HAZARD**

- DO NOT use near open flame or explosive gases.
- Possible Fire Hazard if used with nasal mask in 1/2 bed tent oxygen administering equipment. If oxygen tent is being used it should not fall below the mattress deck. The pendant should not be placed in an oxygen enriched environment such as an oxygen tent.
- This bed should not be placed in an oxygen enriched environment.



## **CAUTION**

- It is recommended to use Drive DeVilbiss Healthcare compatible lifts with this homecare medical bed. Patient lifts should not be used to transport patients to different locations of the home.
- Do NOT use side rails as handles for moving the bed.
- Keep all moving parts, including the mattress deck (sleep surface), main frame, motors and moving components free from obstructions.
- Ensure that the individual using this bed is properly positioned, particularly when the bed is being operated.
- Body weight should be evenly distributed over the sleeping surface of the bed. Avoid situations where entire body weight is on a raised head or foot surface. This includes during assistance in patient repositioning, patient ingress (transferring in) or egress (transferring out) of bed.
- Supervision is required when this product is operated by or near children, individuals with disabilities or individuals with diminished mental acuity.
- Do not modify this bed without authorization of the manufacturer. If unauthorized service is performed on any components the warranty is nullified
- This bed frame complies with EMC requirements of IEC 60601 1 2. Radio transmitting equipment, cell phones or similar electronic devices, used in proximity of the bed, may affect the beds performance.



### CRUSH/PINCH HAZARD

- Possible crush or pinch hazards exist between the bed deck and frame. Always keep hands and feet out from under the bed deck while operating the bed.
- Possible injury may occur when lowering or raising the bed. Keep hands and feet clear of the bed frame when in operation.
- Do not put hands or fingers into any of the angles while frame is articulated. Pinch points may cause injury.



### ENTRAPMENT WARNING

- Entrapment issues can arise when components and accessories are not properly installed.
- If a resident/patient's mental or physical condition could lead to resident/patient entrapment, the mattress deck, (sleep surface) should be left in the flat position when unattended. Failure to do so could result in injury or death.
- Incompatible mattress and side rails can create hazards. Only compatible Drive DeVilbiss Healthcare side rails may be used on this bed. Make sure mattress is the correct size for bed frame and the Side rails are secured to frame to decrease the risk of entrapment.
- If bed frames have been serviced or any other adjustments have been made, you must ensure all parts are securely back in place before operating the bed.
- The risks associated with these devices used in conjunction with specialty mattresses and mattress overlays have not been evaluated. When these specialty mattresses and overlays are used, the resident/patient's facility must take steps to ensure that the therapeutic benefit outweighs the risk of entrapment.



### DANGER

Patient entrapment may occur with the use of bed side rails which may lead to serious injury or death. To avoid patient entrapment:

- Monitor patient frequently
- Use appropriately sized Drive mattresses when using this bed. The mattress must fit firmly against the bed frame and bed side rails.

On March 10, 2006 the U S Food and Drug Administration (released guidelines for reducing the risk of hospital bed entrapment entitled, "Hospital bed System Dimensional and Assessment Guidance to Reduce Entrapment" This guidance document identifies potential entrapment areas within the bed frame, rails and mattress and identifies those body parts most at risk for entrapment It also provides manufacturers with basic design criteria to consider when developing hospital/convalescent beds; recommends specific test methods to recommends specific test methods to assess the conformance of existing hospital/convalescent bed systems; and answers frequently asked questions about entrapment issues.

The FDA Guidance document identifies specific dimensional criteria on potentially injury-threatening gaps and spaces that can occur between bed system components, such as side rails when improperly installed. Drive DeVilbiss Healthcare's DeVilbiss Healthcare's beds and approved accessories are manufactured to be in be in conformance with these guidelines.

Please be aware be aware that entrapment issues can still arise when components and accessories are not properly installed on the bed. It is important for the for the provider or facility staff to recognize they have an equal responsibility in complying with the FDA guidelines to help ensure resident safety and avoid injuries.

Copies of this document can be obtained from the FDA website:

<https://www.fda.gov/medical-devices/hospital-beds/guide-bed-safety-bed-rails-hospitals-nursing-homes-and-home-health-care-facts>



### WARNING

Incompatible mattress and side bars/rails can create hazards. Read instructions for use.

# SIDE RAIL WARNINGS



## WARNING

Side rails/bars serve as a passive reminder to help keep patient from falling out of the bed. The side rail is not an assist device for getting into or out of bed.

- Although side rails are not rated to any specific weight limitation, the side rails may become deformed or broken if excessive side pressure is exerted on the bed rails. Side rails are used for the purpose of preventing an individual from inadvertently rolling out of bed. Side rails are NOT intended nor may be used for restraint purposes. If an individual can injure himself/herself, a physician or a healthcare professional should be consulted for alternative means of safe restraint.
- DO NOT use the side rails as push handles when moving the bed. Always test to make sure that the side rails are properly and securely in place before using the bed.
- DO NOT install the optional side rails without reading and understanding all of the instructions in the instruction sheet that accompanies the bed rail kit.
- Other manufacturer side rails may not be compatible and can lead to entrapment issues or harm to patients/residents. Only Drive DeVilbiss compatible side rails may be used with this bed. Make sure rails are properly secured to frame to decrease the risk of entrapment.

## INTENDED USE AND CONTRAINDICATIONS

The Drive #15003LW Bariatric Beds are intended for use as a mattress support device within a Homecare environment, Application Environment 4 (i.e. care provided in a domestic area where ME Equipment is used to alleviate or compensate for an injury, disability, or disease). This bed offers patient care flexibility by allowing for articulation of the head and foot sections of the bed frame to improve comfort or assist with treatment and/or mobility.

This bed is NOT intended for patient/resident transport. Wheels are provided only to allow movement within the patient/resident room for cleaning or patient/resident access.

Contraindications for this bed include use with individuals who exceed the listed safe working load weight capacity.

This bed should not be operated (control the movements of the bed through the control interfaces) by persons who do not have the cognitive skills to understand the information in the owner's manual or cannot understand and perform the proper operation of the bed. This bed should not be used or operated by children.

## OVERVIEW

Congratulations on purchasing the lightest Bariatric framed homecare medical bed in the market! The Lightweight Bariatric Bed Series by Drive DeVilbiss Healthcare provides the durability, function and support of a bariatric bed while making assembly and transportation less cumbersome with a light and easy to carry frame. Available in a 42" width (15300LW), a 48" width (15302LW) or a 54" width (15303LW). These bariatric beds provide wider sleep surfaces for comfort and convenience.

## MATTRESS RECOMMENDATIONS



### WARNING

Possible ENTRAPMENT Hazard may occur if you do not use the recommended specification mattress. Resident entrapment may occur leading to injury or death.

A mattress may not be included with this bed. It is recommended that an appropriately sized mattress is used, such as a Drive DeVilbiss Healthcare standard foam or pressure redistribution mattress. Mattress height must be a minimum of 5-1/2 inches.

Recommended mattresses:

1. 42" Lightweight Bariatric Bed: For general use try Drive #15301 Standard Foam Mattress. For therapeutic pressure redistribution, this bed is compatible with #1500SC-42-FB- Shearcare Foam Mattress OR #14030, Med Aire Plus Alternating Pressure and Low Air Loss Mattress Replacement System.

Visit [www.drivemedical.com](http://www.drivemedical.com) to learn more about Drive DeVilbiss Healthcare's assortment of foam mattresses, overlays and Low Air Loss and alternating pressure mattress replacement systems.

# PACKAGING / HANDLING

## TOOLS REQUIRED

- Wire Cutters
- Utility Knife



### CAUTION

Unpack the bed in an area with sufficient room to work. Do not allow residents/patients near the bed until it has been completely set up and the work area has been cleared of all debris.

## UNPACKING

1. Check cartons for any obvious damage to packaging or contents. If damage is evident, contact your local Drive Medical dealer/provider.
2. Remove any loose packaging from the cartons.
3. Carefully remove all components from the cartons.

**LIST OF COMPONENTS:** Below is a list of all the components included with your Lightweight Bariatric Bed Series Kits. Depending on the model(s) you have selected you may receive some or all of the below components.

Component Item #	Description	Box Dimensions			
		Shipping Weight (LBS)	Length (inch)	Width (inch)	Height (inch)
15300LW	42" Lightweight Bariatric Bed Kit				
15305LW	42" Bed Frame with Dual Motor	133	42.9	8.5	46.1
15307LW	Head/Foot boards w/hi lo motor X2	122.2	45.7	8.1	39.8
	<b>Additional accessories</b>				
15021BV-LW	Half Side Rail, 42"/48"/54"Bariatric bed	20.46	18.7	4.73	33.45

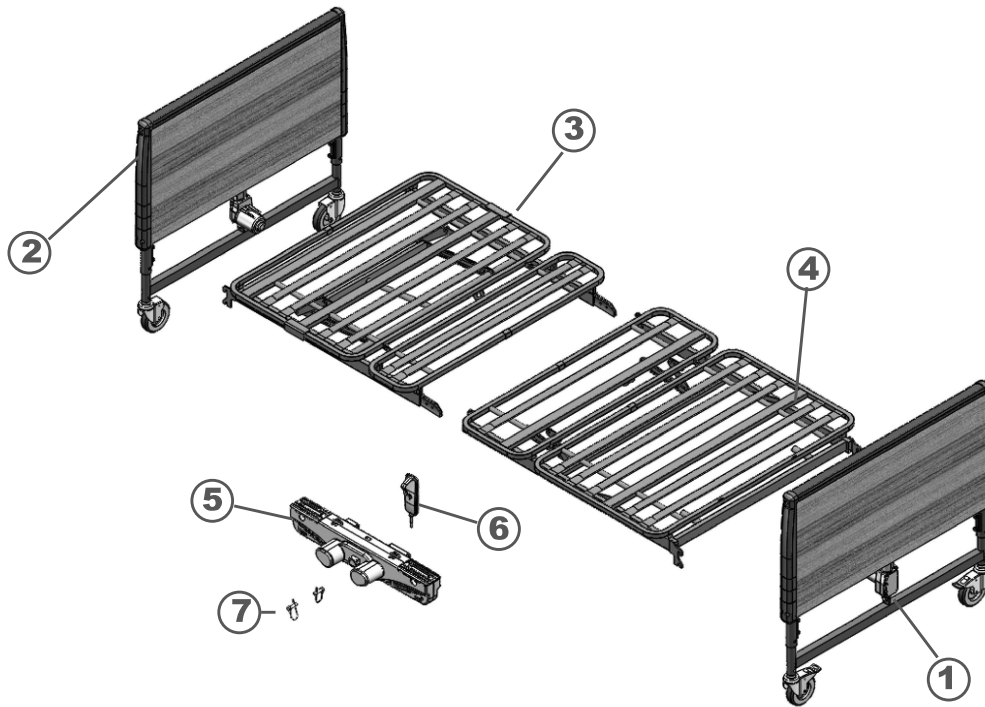
## INSPECTION

1. Examine each component carefully for damage, scratches, dents or any other visual damage.
2. Carefully remove Tie Wraps holding power cord, hand pendant and drive shaft.
3. Inspect power cord and plug for cuts or damage.
4. Inspect the motors for damage, loose connections, cuts or damage to the wires.
5. Ensure motor connection to pendant are connected correctly and secure.

## STORAGE

1. If the bed is not assembled immediately, retain cartons and packaging for storage until assembly is completed.
2. Store the packaged bed in a dry area.
3. DO NOT place other objects on top of the packaged bed cartons.

# ASSEMBLY INSTRUCTIONS



**List of Components**

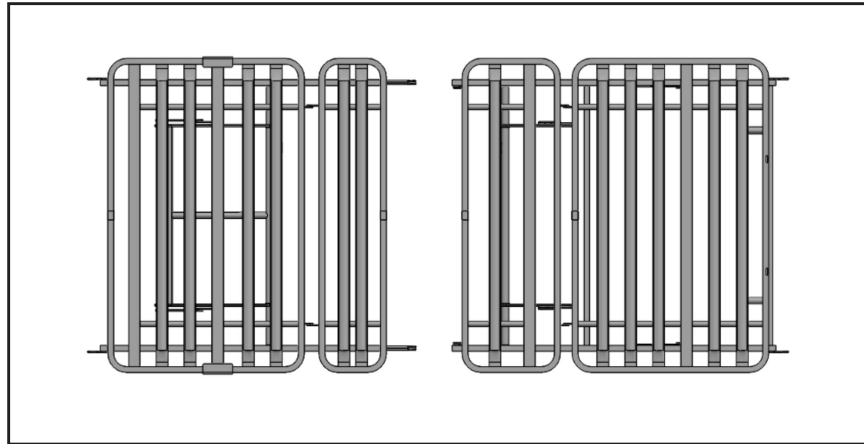
No	Description of components	QTY
1	Hi/Lo motor	2
2	Head/Foot board	2
3	Head frame	1
4	Foot frame	1
5	Twin motor of Head /Foot fuction	1
6	Hand Controller	1
7	Pin for lock bed frame	2

Caution: DO NOT attempt to operate bed controls until completion of assembly as damage to bed components and/or personal injury may occur.

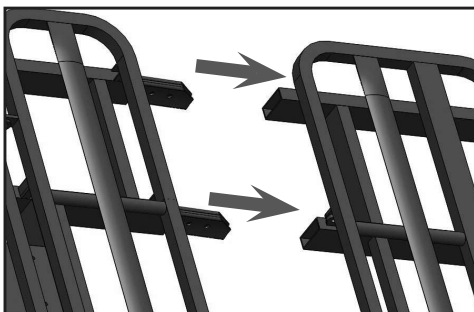
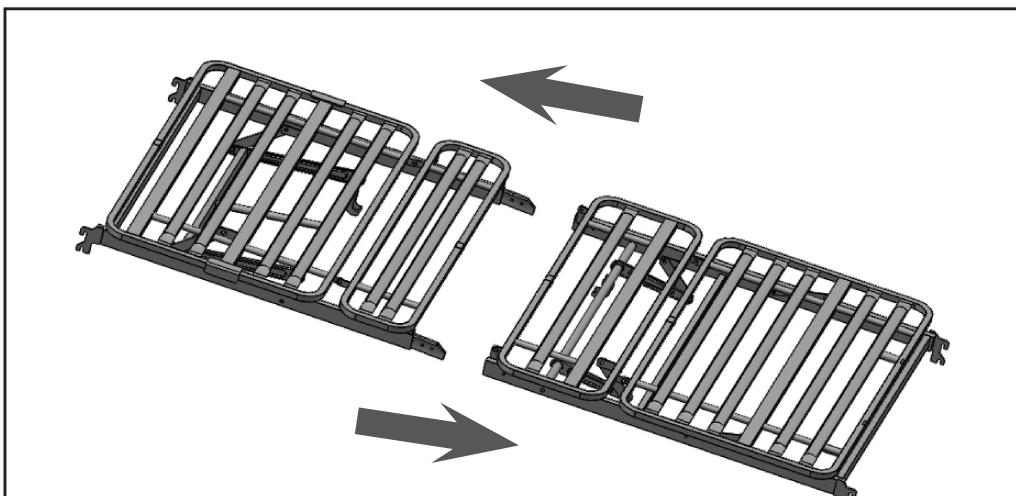


# FRAME ASSEMBLY

1. Place both ends of the frame/sleep surface on the ground and align the four flanges with the receptacle as shown.



2. To attach the head and foot sections, slide the two sides together be sure that the flanges are fully inserted



It must be completely inserted to the end.

3. Secure the frame/sleep surface with the cotter pin as shown (Figure A). Lock the cotter pin with the attached clasp. Repeat on the opposite side (Figure B).

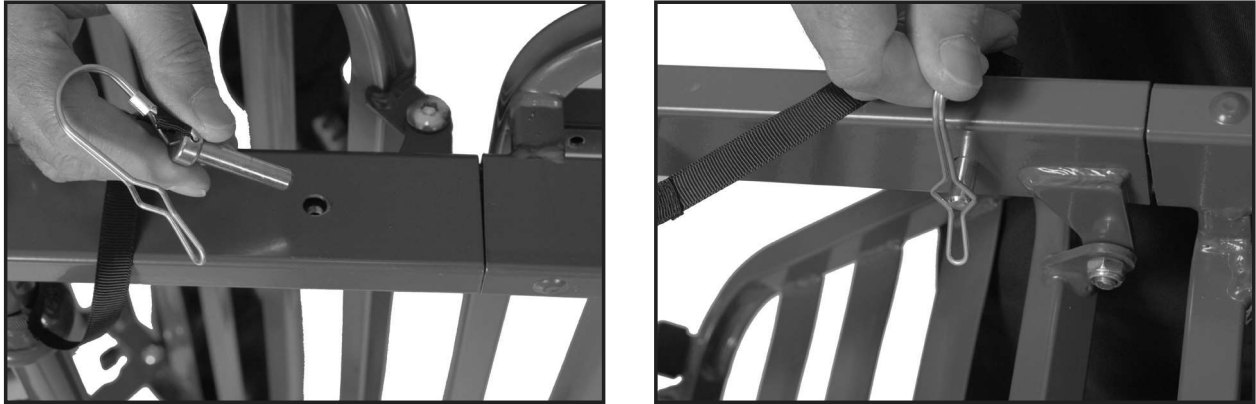
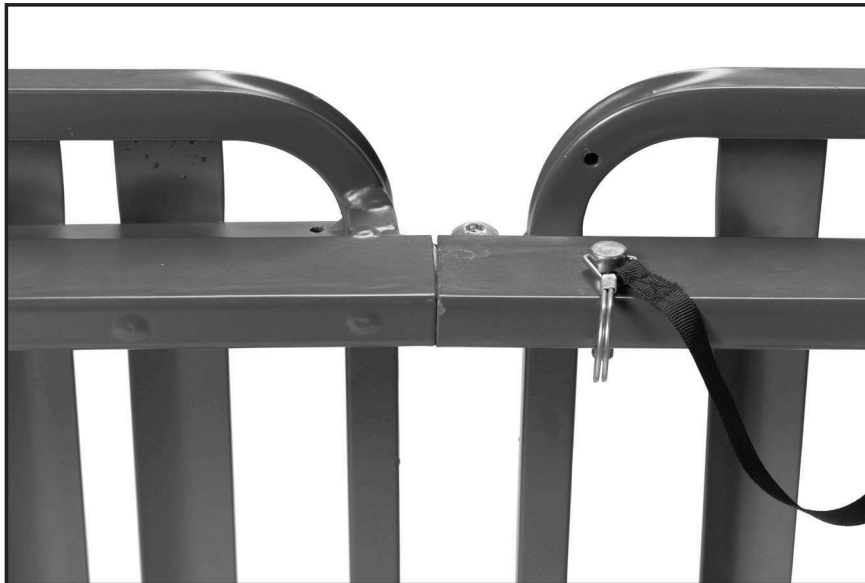


Figure A



1. To disassemble the head and foot section, remove cotter pin and clasp and separate sections.

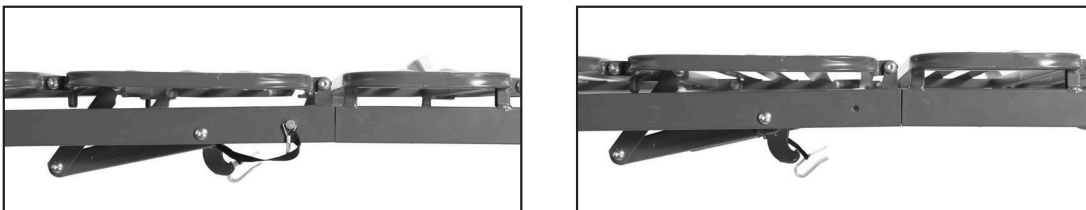


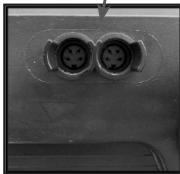
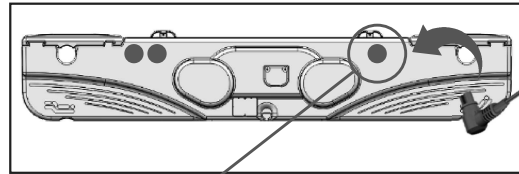
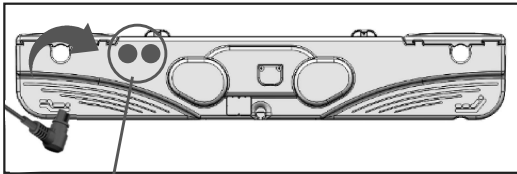
Figure B

2. Locate the motor connecting wire of the Hi/Lo motors attached to each bed ends. (Figure C) .

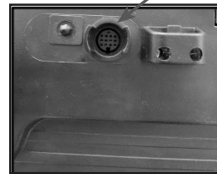
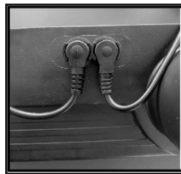


Figure C

3. 6. Insert the motor connecting wire into the label on the control box (Figure D).



Hi/Lo wire plug



Remote wire plug

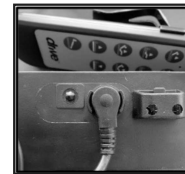
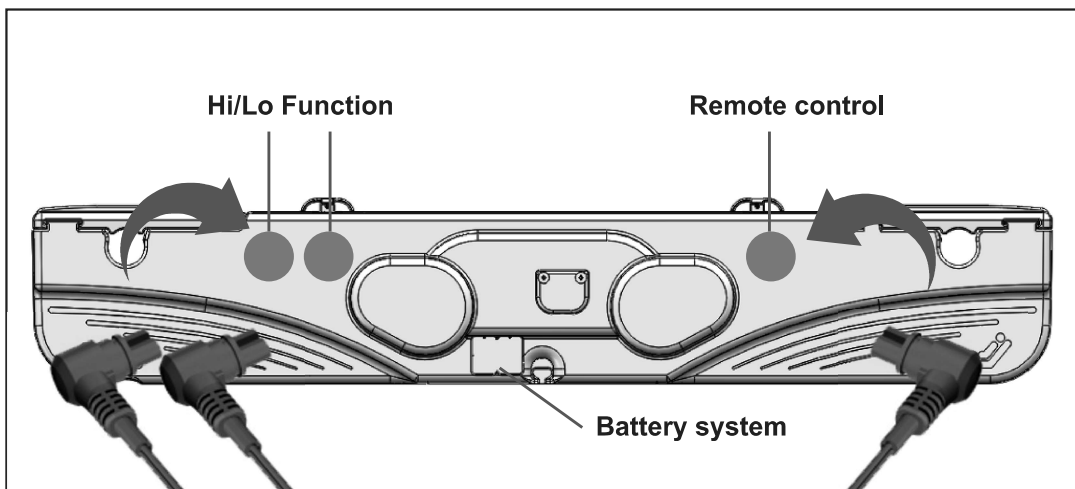


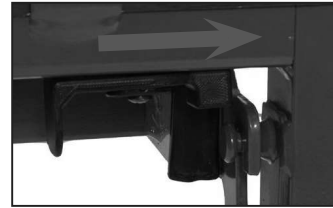
Figure D

4. See below for details on the corresponding outlets for each motor wire. Each corresponding plug is color coded for further assistance.



5. Lay bed flat and install head and foot boards.

Attach the Head and Foot Boards by aligning the frame mounting hooks over bed end mounting pins and push frame down to secure in place. Push Slide Locks in place over frame hooks for both bed ends to help prevent frame separation from bed ends.



6. Finally, confirm that all the motor connecting wires have been connected to the correct control box slot, and confirm that all the key functions on the remote controller work correctly.



**NOTE:** Lift mattress retainer to help keep mattress in place.



# BED OPERATION



## CRUSH HAZARD

Crush point exists due to LOW BED CLEARANCE. Do NOT place feet or other limbs under the frame when lowering the bed. When lowering the bed, be aware this may cause INJURY if limbs or personal items interfere with bed movement. Stay clear of the frame and ensure children and/or pets are not under the bed before lowering.

## WARNING

- It is critically important to lock all casters to prevent unintended bed movement.
- Possible injury or Death may occur due to pendant cord being a source for entangling patient/resident. Patients/residents with decreased mental acuity should NOT have access to pendant.



## WARNING

When routing cables from other equipment in the medical bed, precautions shall be taken to avoid squeezing between parts of the medical bed.

# OPERATION

The Model #15300LW Lightweight Bariatric Bed comes with a 4 Function hand held Pendant.

- Top Row buttons control raising and lowering the Head Section.
- Second row buttons control raising and lowering the Foot Section.
- Third row buttons simultaneously control the raising and lowering of the Head and Foot Sections.
- Fourth row buttons control the raising and lowering of the Bed surface height.

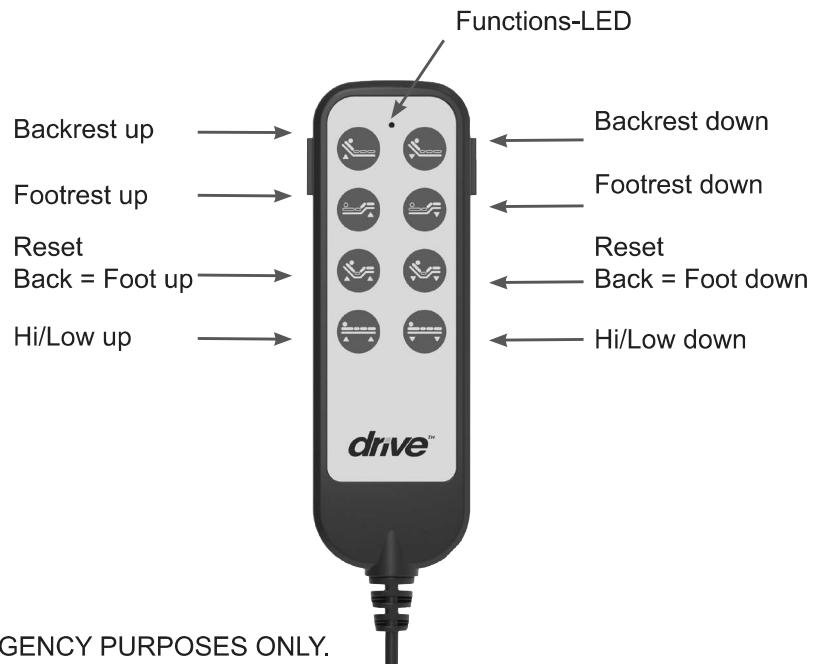
## HAND CONTROL

The Bariatric Bed comes with a hand control that will illuminate when the bed is plugged into a grounded or polarized wall outlet, or with 24V battery (not included) installed in the hand control. The hand control will illuminate if the wall outlet or battery has power. A single 24-volt battery can be installed into motor that will allow the head and foot sections to be lowered at a very slow speed. With this battery installed, the motor can be operated to return the sleep surface to the horizontal position in the event of a power failure.



## WARNING

- The battery backup should be used for EMERGENCY PURPOSES ONLY.
- DO NOT use the battery backup to demonstrate or display a bed.
- Battery function should be checked periodically to insure battery health. The battery should be removed if it no longer has a charge or if leakage from battery occurs.
- Drive DeVilbiss Healthcare cannot be held responsible for improper backup use.
- When battery is installed, unplugging the bed from mains power will not switch bed off.
- Batteries must be properly disposed of in accordance with local regulations.



## SIDE RAIL INSTALLATION (OPTION)



### SIDE RAIL WARNING

Other manufacturers side rails/bars may not be compatible and can lead to entrapment issues or harm to patients/residents. Only compatible side rails/bars may be used on this bed. Make sure bed frame is adjusted correctly for mattress size being used and side rails/bars are properly secured to frame to decrease the risk of entrapment.



### ENTRAPMENT WARNING

The risks associated with these devices used in conjunction with specialty mattresses and mattress overlays have not been evaluated. When these specialty mattresses or mattress overlays are used, the end user facility must take steps to ensure that the therapeutic benefit outweighs the risk of entrapment.



### SIDE RAIL WARNING

Side rails/bars serve as a passive reminder to help keep patient from falling out of the bed.



### CRUSH HAZARD

Crush hazard exists between the side rails/bars and the floor when in the lowest position which may cause injury to oneself or others. Do NOT place feet beneath the side rails/bars.



### SIDE RAIL WARNING

Although side rails are not rated to any specific weight limitation, the side rails may become deformed or broken if excessive side pressure is exerted on the bed rails. The side rail is not an assist device for getting into or out of bed.

DO NOT use the side rails as push handles when moving the bed. Always test to make sure that the side rails are properly and securely in place before using the bed.

DO NOT install the optional side rails without reading and understanding all of the instructions in the instruction sheet that accompanies the bed rail kit.

DO NOT use the side rails as push handles for moving the bed.

Side rails are intended to prevent an individual from inadvertently rolling out of bed. DO NOT use for restraint purposes.

When used with a manual/electrical bed, side rails DO NOT fall under any weight limitations. Side rails can be deformed or broken if excessive side pressure is exerted on the bed rails. Side rails are used for the purpose of preventing an individual from inadvertently rolling out of bed. Side rails are NOT intended nor may be used for restraint purposes. If an individual is capable of injuring himself/herself, a physician or a healthcare professional should be consulted for alternative means of safe restraint.



### ENTRAPMENT WARNING

Accurate assessment of the patient/resident and monitoring of correct maintenance and equipment use are required to prevent entrapment. For additional information on product and safety issues for bed frames and rails refer to product manuals specific to the product or accessories you have or are planning to install. If bed frames have been serviced or any other adjustments have been made, you must ensure all parts are securely back in place before operating the

bed. Other manufacturers side rails may not be compatible and can lead to entrapment issues or harm to residents and staff. Make sure mattress is the correct size for bed frame and the Side rails are secured to frame to decrease the risk of entrapment.

On March 10, 2006, the U.S. Food and Drug Administration (FDA) released guidelines for reducing the risk of hospital bed entrapment entitled; "Hospital bed System Dimensional and Assessment Guidance to Reduce Entrapment". This guidance document identifies potential entrapment areas within the bed frame, rails and mattress and identifies those body parts most at risk for entrapment. It also provides manufacturers with basic design criteria to consider when developing hospital/convalescent beds; recommends specific test methods to assess the conformance of existing hospital/convalescent bed systems; and answers frequently-asked questions about entrapment issues.

The FDA Guidance document identifies specific dimensional criteria on potentially injury-threatening gaps and spaces that can occur between bed system components, such as side rails when improperly installed. Drive DeVilbiss Healthcare's 15302/15303 Bariatric beds and approved accessories are manufactured to be in conformance with these guidelines.

Please be aware that entrapment issues can still arise when components and accessories are not properly installed on the bed. It is important for the provider or facility staff to recognize they have an equal role in complying with the FDA guidelines to help ensure resident safety and avoid injuries.

Copies of this document can be obtained from the FDA website:

<https://www.fda.gov/medical-devices/hospital-beds/guide-bed-safety-bed-rails-hospitals-nursing-homes-and-home-health-care-facts>

## BED RAIL ASSEMBLY

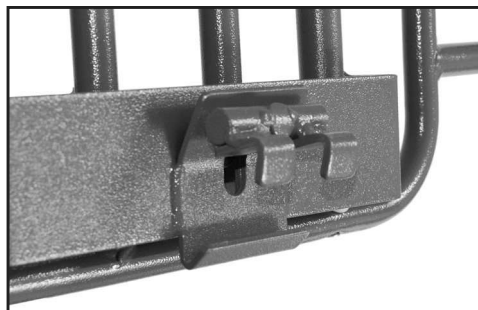
### Half Bed Rails:

Your Lightweight Bariatric Bed Series is compatible with Half Bed Rails (#15021BV-LW).

To install half rails, locate the label located on the head section of the frame (Fig D). The half rail clamp should be installed over this label. Align fixed clamp jaw (Fig E) in front of bed frame rail as shown below. Align movable clamp jaw on top of bed frame rail, and turn knob clockwise until clamp is tight, securing safety rail to bed frame rail (Fig F).



D



E

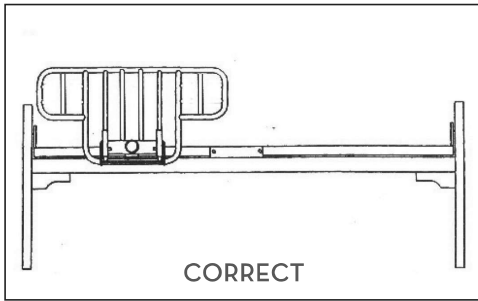


F

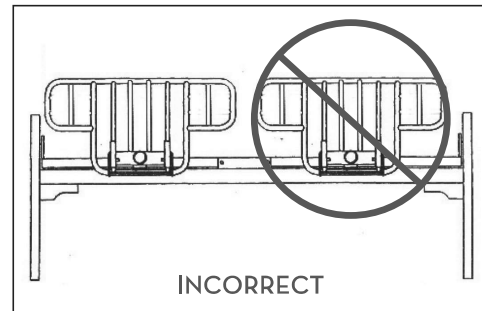


Half Bed Rail Operation: Pull out Pull Pin on each bracket to raise or lower rail. Ensure Pull Pin is properly engaged to lock rail in position.

NOTE: Bed rails should be removed when bed is disassembled to help prevent damage.



When installing bed rail, only place one (1) rail on bed per side.



DO NOT place 2 bed rails on the same side of the bed as shown above.

**WARNING - INCORRECT MOUNTING MAY CAUSE INJURY OR DEATH**

### **MATTRESS RETAINER ADJUSTMENT**

Before a mattress is placed onto the bed deck, flip up the mattress guard to reduce mattress movement



# TECHNICAL SPECIFICATIONS

Overall Length	87.79"
Overall Width w/o Rails (42")	42"
Overall Width w/Rails	49.37"
Length & Width of Mattress Deck	79.73" x 34.65"
Maximum Weight Capacity	42" – 600 lbs. including all accessories
Head Deck Angle	0°to 60°
Foot Deck Angle	0°to 17°
Height Range	
42" Bariatric Bed Ends	18"-26"
Under Bed Clearance	
42" Bariatric Bed Ends	14.5"-22"
Total Product Weight-	See component sections on page 8
Noise Level	≤65dB(A)
Electrical Requirements	100-240VAC, 50 / 60Hz
Rated Current Input	3.5 A max
Fuse Specification	4.0 A 250V
Duty Cycle	T_On 2 Min / T_Off 18 Min
Battery Backup: Handset (1) & Motor (2)	24 V
Relative Humidity	From 30% to 75%
Recommended Storage &Shipping Temperature	From -20 °C to +50 °C From -4 °F to +122 °F
Recommended Operating Temperature	From +10 °C to +40 °C From +50 °F to +104 °F
Atmospheric Pressure Range	From 800 hPa to 1060 hPa

## OPERATING TEMPERATURE

If bed has been stored in an area where the temperature is above or below the Recommended Operating Temperature range of 41°F to 104°F. You must wait at least 30 minutes for the bed temperature to adjust to the Recommended Operating Temperature range of 41°F to 104°F before use.

# MAINTENANCE & SAFETY CHECKS

Drive recommends the following maintenance and cleaning procedures be conducted between users.

## ELECTRONICS

- Check all controls to make sure all functions work properly.
- Foot control
- Head control
- Check all cables for damaged or frayed wires.
- Power cord
- Pendant cord
- Check to make sure all plugs are fully inserted or attached.

## BED FRAME & SLEEPING SURFACE

- Visually check all welds.
- Head section
- Foot section
- Main Frame
- Check joints between sleeping surface sections for loose fasteners.

## CLEANING

- If possible, remove patient/resident before cleaning bed.
- Prior to cleaning unplug power supply cord
- Ensure all electrical parts (motors, control boxes, wires and pendant) are not broken. Ensure that NO liquids enter electrical components.
- The metal parts of the bed are covered with a powder coating. Clean all coated parts with mild detergent and warm water.
- Raise head and foot sections of the bed to remove dust from frame.
- Remove mattress and clean mattress deck.
- Remove all gross/solid contaminants, then wash and sanitize all components. DO NOT submerge the bed frame or electrical components.
- Solvents, alcohol, bleach, caustic agents, high acid or alkaline solutions or petroleum based products should not be used on the bed.
- Use standard water pressure. DO NOT power wash or steam clean any parts.
- Rinse completely with water (Maximum temperature 110oF or 43oC). Do not rinse with cold water.
- Ensure all parts are dry before using or storing.

NOTE: This bed is NOT compatible with wash down tunnels.

## LUBRICATION & MECHANICAL

- Lubricate all caster roller and swivel bearings with light machine oil.
- Check all bolts and tighten as needed.

## WARRANTY

- Lifetime warranty on welds and frame.
- 5 year warranty on motor and hand control.
- 1 year warranty on all other parts and components.

During the warranty period, defective items will be repaired or replaced at Drive's option at no charge.

## BED SERIAL NUMBERS

Please include bed part #s and serial numbers when ordering parts or contacting Drive DeVilbiss Healthcare. These numbers can be found on the identification labels under the sleep deck on either side of the bed frame.

## COMPLIANCE INFORMATION

Matching the correct bed components to meet regulatory specifications can be complicated. Drive DeVilbiss Healthcare offers a wide variety of compliance options and we can assist your facility in selecting components or accessories that are recommended for the specific bed model.

## PARTS

Drive DeVilbiss Healthcare beds contain a variety of parts that wear from normal use. Drive DeVilbiss Healthcare's responsibility under this warranty is limited to supplying replacement parts, servicing or replacing, at its option, which are found to be faulty by Drive DeVilbiss Healthcare. For warranty replacement, Drive DeVilbiss Healthcare may request that broken parts be sent back to them for evaluation. A credit will be issued only after the inspection and determination of cause.

## SERVICE

A majority of service requests can be handled by the local Distributor/Provider's maintenance department with assistance from Drive DeVilbiss Healthcare tech support. If a Drive DeVilbiss Healthcare technician is required, one will be provided by Drive DeVilbiss Healthcare at our discretion. Most parts can be shipped next day air at the customer's expense. This warranty is extended to the original purchaser of the equipment.

## SALES AND SERVICE

Contact Drive DeVilbiss Healthcare if you need any help with installation, usage or maintenance of the product. Corporate Office: Drive DeVilbiss Healthcare, 99 Seaview Blvd., Port Washington, NY 11050

Ph: 1-877-224-0946 Fax: 516-988-4601

Website: [www.drivemedical.com](http://www.drivemedical.com)

## END OF LIFE DISPOSAL

- Many components of this product may be recycled.
- Please dispose of non-recyclable items properly.



This marking indicates that this product should not be disposed with other household wastes. To prevent possible harm to the environment or human health from uncontrolled waste disposal, recycle responsibly to promote the sustainable reuse of material resources. To safely recycle your used device, please follow local governing ordinances and recycling guidelines regarding disposal of the product or its components.

**NOTE:** The information within this document is subject to change without notice. This manual includes important information about safety of personnel and equipment. As you read through this manual be aware of the four signal indicators.

# WARNINGS

## GENERAL WARNINGS

**DO NOT** use this product or any available optional equipment without first completely reading and understanding these instructions and any additional instructional material such as owner's manuals, service manuals or instruction sheets supplied with this product or optional equipment. If you are unable to understand the warnings, cautions or instructions, contact a healthcare professional, dealer or technical personnel before attempting to use this equipment - otherwise, injury or damage may occur.

Read all the instructions before using the bed.

Refer to the owner's manuals for beds and rails for additional product and safety information. After any adjustments, repair or service and before use, make sure all attaching hardware is tightened securely.

After the bed has been assembled, always test to make sure that all sections of the bed are properly and securely in place before using.

**ALWAYS** use caster locks except when moving the bed.

Body weight should be evenly distributed over the surface of the bed. **DO NOT** lay, sit or lean in such a way that your entire body weight is placed only on raised head or foot sections of the bed. This includes when assisting the user in repositioning or transferring in or out of bed.

Check all parts for shipping damage and test before using. In case of damage, **DO NOT** use. Contact a qualified technician for further instruction.

Close supervision is necessary when this bed is used by or near children or people with disabilities.

**DO NOT** let any individual underneath the bed or in between the raised bed frame components at anytime.

**DO NOT** permit more than one person on/in the bed at any time.

**DO NOT** use outdoors.

**DO NOT** use this product or any available optional equipment without first completely reading and understanding these instructions and any additional instructional material such as owner's manuals, service manuals or instruction sheets supplied with this product or optional equipment. If you are unable to understand the warnings, cautions or instructions, contact a healthcare professional, dealer or technical personnel before attempting to use this equipment - otherwise, injury or damage may occur.

For Dealers Only - Set-up and Assembly Instructions are in the front of this manual. These procedures must be performed by qualified technicians only.

The March 2006 version of the FDA's bed safety guidelines are published by Hospital Bed Safety Workgroup. The latest revision of this document is available at <http://www.fda.gov>.

If the unit is not working properly, call a qualified technician to examine the unit and repair it.

Drive Medical products are specifically designed and manufactured for use in conjunction with Drive Medical accessories. Accessories designed by other manufacturers have not been tested by Drive Medical and are not recommended for use with Drive Medical products.

Keep all moving parts, including the main frame, mattress deck (head and foot sections) and all drive shafts free of obstruction (i.e. blankets/sheets, heating blankets/pads, tubing, wiring, etc. and other types of products using electric cords which may get tangled around the bed, side rails or legs) during operation of the bed. Keep the product a minimum of 12 inches away from any direct heat source.

Make sure head and foot sections are locked in place and connected securely to the bed ends before use.

Physically challenged individuals who cannot prevent themselves from rolling/climbing out of the this bed may require alternative safe means of restraint.

Procedures other than those described in this manual must be performed by a qualified technician.

Risk of injury to persons - **DO NOT** place video equipment such as televisions or computer monitors on bed.

**NEVER** allow patients to use trapeze or traction units as a total individual weight support.

Trapeze units are to be used only for assisting the patient in repositioning or transferring into or out of bed.

Trapeze units must be positioned on a bed end as close as possible to the center point of the bed end.

The bed is not designed to be used as a patient transport. When transporting a patient, use an approved patient transport device. Otherwise, injury or damage may result.

The bed may be equipped with locking casters. When transferring into or out of the bed, always lock the locking caster(s). Inspect for correct locking action on caster locks before using bed. Even with casters properly locked, some flooring surfaces such as tile or wood, will allow the bed

# WARNINGS

to move under some conditions. Use on surfaces such as these must be evaluated by the care provider.

The initial set up of this bed must be performed by a qualified technician.

The safe working load of the Drive Medical 48 inch (121.9 cm) wide Bariatric Bed is 750 pounds and (340 kg)/ 54 inch (137.1cm) wide Bariatric Bed is 1000 pounds (453 kg) which includes the weight of the occupant and all accessories such as mattress, side/assist rails, trapeze, any personal effects, etc.

Use this bed only for its intended use as described in these instructions. **DO NOT** use attachments not recommended by the manufacturer.

After raising/lowering the head/foot end of the bed, check the distance between the bottom of the bed rail and the mattress. If there is excessive distance between the bottom of the bed rail and the mattress in which individuals may become entangled, adjust the height of the bed rail (if applicable), or provide alternative means of patient protection.

Once patient assessment concludes that the patient's condition increases the chance of entrapment, the bed **MUST** be in the flat position when left unattended.

Proper patient assessment and monitoring, and proper maintenance and use of equipment is required to reduce the risk of entrapment. Variations in bed rail dimensions, and mattress thickness, size or density could increase the risk of entrapment. Visit the FDA website at <http://www.fda.gov> to learn about the risks of entrapment.

Replacement mattresses and bed side rails with dimensions different than the original equipment supplied or specified by the bed frame manufacturer are not interchangeable. Variations in bed side rail design, width and thickness or firmness of the mattress could cause/ contribute to entrapment. Use only authorized Drive Medical replacement parts and/or accessories otherwise the warranty is void. Drive Medical will not be responsible for any damage or injury that may result.

To reduce the risk of entrapment make certain that the bed rail cross braces **DO NOT** exceed the width of the mattress. Mattress **MUST** fit bed frame and side rails snugly to reduce the risk of entrapment.

When operating this bed, **ALWAYS** ensure that the individual utilizing the bed is positioned properly within the confines of the bed. **DO NOT** let any extremities protrude over the side or between the bed rails when performing

these functions.

Drive Medical recommends that the mattress be centered on the bed frame. Otherwise, individuals may become entangled between the bed rail and the bed frame.

Mattress **MUST** fit bed frame and assist rails snugly to reduce the risk of entrapment.

## SAVE THESE INSTRUCTIONS

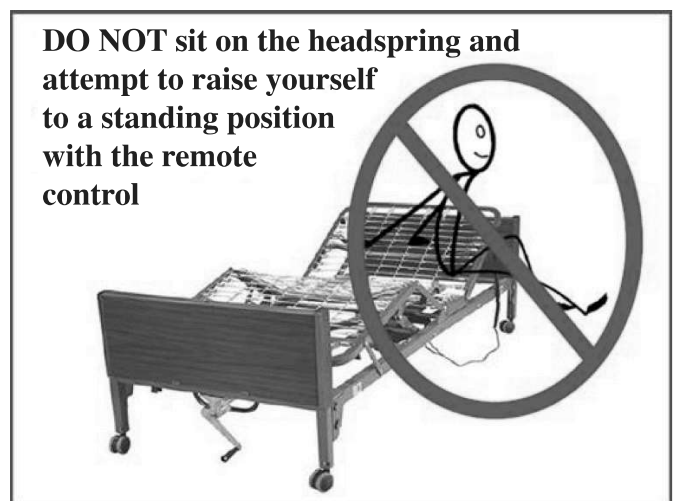
**NOTE:** Updated versions of this manual are available on [www.DriveMedical.com](http://www.DriveMedical.com).

Body weight should be evenly distributed over the surface of the bed. **DO NOT** lay, sit or lean in such a way that your entire body weight is placed only on raised head or foot sections of the bed. This includes when assisting the user in reposition- ing or transferring in or out of bed.

The Head (Head Spring) and Foot (Foot Spring) sections of the sleep surface must be in the lowered/flat position for entry into the bed. Patients should be slowly lowered into the bed.

**DO NOT** abruptly "drop" patients into the bed.

It is not safe to use the Head (Head Spring) or Foot (Foot Spring) sections of the sleep surface to assist in raising or lowering patient for entry or egress from the bed. This may damage the frame and/or motors and create a danger to the patient.



**DO NOT** attempt to raise the Head (Head Spring) section of the sleep surface while the patient or any other individual is seated or positioned with their weight entirely on the Head (Head Spring) section of the sleep surface.

**DO NOT** attempt to raise the Foot (Foot Spring) section of the sleep surface while the patient or any other individual is seated or positioned with their weight entirely on the Foot (Foot Spring) section of the sleep surface.

**DO NOT** attempt to raise the Head (Head Spring) or Foot (Foot Spring) sections of the sleep surface while more than one person is lying in the bed or when the bed weight limitations have been exceeded.



# ELECTROMAGNETIC EMISSION AND IMMUNITY

This MEDICAL ELECTRICAL EQUIPMENT needs special precautions regarding EMC and needs to be installed and put into service according to the EMC information provided in the table below.

Portable and mobile RF communications equipment can affect MEDICAL ELECTRICAL EQUIPMENT



## WARNING

The use of ACCESSORIES, transducers and cables other than those specified, with the exception of transducers and cables sold by the manufacturer of the EQUIPMENT or SYSTEM as replacement parts for internal components, may result in increased EMISSION or decreased IMMUNITY of the EQUIPMENT or SYSTEM.

Below cables information are provided for EMC reference

Cable	Max. cable length, Shielded/unshielded		Number	Cable classification
AC Power Line	3.9m	Unshielded	1 Set	AC Power
Signal Line (from remote control part to be main body)	3.0m	Unshielded	1 Set	DC Power



## WARNING

### Important information regarding Electro Magnetic Compatibility (EMC)

SEMI ELECTRIC BED WITH MANUAL LEG ADJUST requires special precautions regarding EMC when put into service according to the EMC information provided in the user manual; SEMI ELECTRIC BED WITH MANUAL LEG ADJUST conforms to this IEC 60601-1-2:2014 standard for both immunity and emissions. Nevertheless, special precautions need to be observed:

SEMI ELECTRIC BED WITH MANUAL LEG ADJUST with no ESSENTIAL PERFORMANCE is intended for use in a professional healthcare facility environment and homecare environment.

WARNING: Portable RF communications equipment (including peripherals such as antenna cables and external antennas) should be used no closer than 30 cm (12 inches) to any part of the SEMI ELECTRIC BED WITH MANUAL LEG ADJUST, including cables specified by the manufacturer. Otherwise, degradation of the performance of this equipment could result.”

The use of accessories and cables other than those specified by Drive DeVilbiss Healthcare, with the exception of accessories and cables sold by Drive DeVilbiss Healthcare for use with the SEMI ELECTRIC BED WITH MANUAL LEG ADJUST as replacement parts for internal components, may result in increased EMISSIONS or decreased IMMUNITY of the SEMI ELECTRIC BED WITH MANUAL LEG ADJUST.

WARNING: Use of this equipment SEMI ELECTRIC BED WITH MANUAL LEG ADJUST adjacent to or stacked with other equipment should be avoided because it could result in improper operation. ”

# EMI COMPLIANCE TABLE

**Table 1 - Emission**

Phenomenon	Compliance	Electromagnetic environment
RF emissions	CISPR 11 Group 1, Class B	Professional healthcare facility environment and homecare environment

**Table 2 - Enclosure Port**

Phenomenon	Basic EMC standard	Immunity test levels
		Professional healthcare facility environment and homecare environment
Electrostatic Discharge	IEC 61000-4-2	±8 kV contact ±2kV, ±4kV, ±8kV, ±15kV air
Radiated RF EM field	IEC 61000-4-3	10V/m
		80MHz-2.7GHz
		80% AM at 1kHz
Proximity fields from RF wireless communications equipment	IEC 61000-4-3	Refer to table 3
Rated power frequency magnetic fields	IEC 61000-4-8	30A/m 50Hz or 60Hz

**Table 3 - Proximity fields from RF wireless communications equipment**

Test frequency (HHz)	Band (MHz)	Immunity test levels
		Professional healthcare facility environment and homecare environment
385	380-390	Pulse modulation 18Hz, 27V/m
450	430-470	FM, ±5kHz deviation, 1kHz sine, 28V/m
710	704-787	Pulse modulation 217Hz, 9V/m
745		
780		
810		
870	800-960	Pulse modulation 18Hz, 28V/m
930		
1720		
1845	1700-1990	Pulse modulation 217Hz, 28V/m
1970		
2450	2400-2570	Pulse modulation 217Hz, 28V/m
5240	5100-5800	Pulse modulation 217Hz, 9V/m
5500		
5785		



**Table 4 - Input AC power Port**

Phenomenon	Basic EMC standard	Immunity test levels
		Professional healthcare facility environment and homecare environment
Electrical fast transients/burst	IEC 61000-4-4	±2 kV 100kHz repetition frequency
Surges Line-to-line	IEC 61000-4-5	±0.5 kV, ±1 kV
Conducted disturbances induced by RF fields	IEC 61000-4-6	3V, 0.15MHz-80MHz  6V in ISM bands and amateur radio bands between 0.15MHz and 80MHz  80%AM at 1kHz
Voltage dips	IEC 61000-4-11	0% $U_T$ ; 0.5 cycle  At 0°, 45°, 90°, 135°, 180°, 225°, 270° and 315°
		0% $U_T$ ; 1 cycle and 70% $U_T$ ; 25/30 cycles
		Single phase: at 0°
Voltage interruptions	IEC 61000-4-11	0% $U_T$ ; 250/300 cycles

**Table 5 – Signal input/output parts Port**

Phenomenon	Basic EMC standard	Immunity test levels
		Professional healthcare facility environment and homecare environment
Electrical fast transients/ burst	IEC 61000-4-4	±1 kV 100kHz repetition frequency
Conducted disturbances induced by RF fields	IEC 61000-4-6	3V, 0.15MHz-80MHz 6V in ISM bands and amateur radio bands between 0.15MHz and 80MHz 80%AM at 1kHz



## ELECTRICAL SAFETY WARNINGS

A safety feature of this product includes protection against overheating caused by excessive or extended periods of operation. Depending on the duration, this includes multiple or repeated adjustments or the use of multiple functions at one time. To ensure trouble free operation, always allow a slight pause between multiple adjustments and avoid pressing more than one function button at a time. If thermal protection activation should occur, the bed will not respond to pendant commands. Given this situation, release the pendant button and allow the bed unit to sit for several minutes. This will allow the protection function time to reset and restore bed function. Depending on severity of the initial overheating, this could take up to 30 minutes.

Allow a slight pause between adjustments and avoid pressing multiple buttons at the same time. If pendant buttons are depressed too rapidly or multiple buttons are pressed at the same time, the desired feature may not activate. Simply release the pendant button, permit a slight pause and then activate the next operation.

Always unplug the bed from the electrical outlet before cleaning.

DO NOT open assemblies such as the motors, motor housing or pendant. No user serviceable parts are inside. Only qualified technicians are permitted to repair these parts. If unqualified individuals perform any work on these beds, the warranty is void.

DO NOT place pendant under or between objects. This may unintentionally press the buttons and may cause injury or damage.

Electronic equipment may be influenced by Radio Frequency Interference (RFI). Caution should be exercised with regard to the use of portable communications equipment in the area around such equipment. If RFI causes erratic behavior, unplug the electric bed IMMEDIATELY. Leave unplugged while transmission is in progress.

Ensure all cables and cords are routed such that they will not become entangled or pinched. Otherwise damage or injury may result.

If a button on the pendant sticks or does not release and/or one of the functions will not stop moving. Unplug the power cord from the electrical supply outlet and take the bed out of service for repair.

If a liquid is spilled in or around the electric bed, unplug the electric bed before cleaning. Clean up the spill and allow the electric bed or the area around the electric bed to dry thoroughly before using the electric controls again.

Inspect the covering of the hand pendant panel to assure that the covering is not cracked or damaged.

Keep all electrical cords away from heated or hot surfaces.

Keep the cord away from heated surfaces.

NEVER operate this bed if it has a damaged cord or plug, if it is not working properly, if it has been dropped, damaged, or dropped into water. Return the bed to a service center for examination and repair.

On Full Electric beds, the Hi/Lo crank MUST be removed before the bed is used. Failure to remove the crank may cause damage or personal injury.

Refer servicing to qualified personnel only. Grounding reliability depends upon a properly grounded wall outlet.

The pendant and power cords must be routed and secured properly to ensure that the cords DO NOT become entangled, pinched and/or severed during operation of the electric bed.

Unplug from the outlet before servicing. Unplug the power cord from its power source before performing any maintenance on the manual/electric bed.

Use caution when disconnecting the pendant. DO NOT press pendant buttons.

When bed is not to be used for an extended period, unplug electric bed from the wall outlet.

When using an extension cord, use an extension cord having at least 16 AWG (American Wire Gauge) wire and the same or higher electrical rating as the device being connected. Use of improper extension cord could result in a risk of fire and electric shock.

When using nasal or masked type oxygen administering equipment, the oxygen or air tubing MUST be routed and secured properly to ensure that the tubing does not become entangled and/or severed during normal operation of the bed.

DO NOT use near explosive gases.

Possible fire hazard when used with oxygen administering equipment other than nasal or masked type.

Use masked or nasal type oxygen administering equipment only in conjunction with this bed. The use of ANY other type of oxygen administering equipment can result in a fire hazard.

# TROUBLESHOOTING GUIDE



## WARNING

Before doing any repairs or maintenance to the bed frame, read all instructions, cautions, and warnings. Repairs should be done by a skilled technician.

Problem	Solution
If bed movement does not occur when pendant control button is pushed.	<ol style="list-style-type: none"> <li>1. Adjustment may already be at maximum or minimum level.</li> <li>2. Bed is not plugged into wall outlet and backup 9V battery has not been installed or is dead. Plug bed into wall outlet.</li> <li>3. Repeated adjustments or use of multiple adjustments simultaneously may trip thermal protection overload. Allow bed to sit for several minutes to reset. This can take up to 30 minutes depending on overload severity.</li> <li>4. Pendant cord may be damaged. Check cord for damage. If cord is damaged, discontinue bed usage until cord is replaced.</li> <li>5. Pendant connection may be loose or damaged. Reconnect the pendant to the connection on motor housing - follow instruction on page 19.</li> <li>6. Bed may be overloaded or constrained from moving. Determine load and check for obstructions.</li> </ol>
Crank Hi/ Lo Bed. If Bed will not Raise and Lower	<ol style="list-style-type: none"> <li>1. Drive Shaft may not be installed or is incorrectly installed. Ensure Drive Shaft is properly connected to both Bed End gear boxes.</li> <li>2. To work properly, Bed Ends must be installed as a set: Bed End at Head Section will say "HEAD" on the top and sides and at the Foot Section will say "FOOT" on the top and sides.</li> </ol>
Motor cannot be installed to bed deck	<ol style="list-style-type: none"> <li>1. Make sure both white motor blocks are in the fully retracted position. Plug in power cord, depress down buttons on hand pendant until motor blocks are full retracted.</li> </ol>