

SIMPLY OUTSTANDING

Stanzme is designed for daily standing therapeutic needs of children from early intervention to age 14. Its simple structure and application is easy to use by parents who may not have enough experience with this type of equipment. It is simple in design and construction as compared to others and allows caregivers to position the child quickly and with ease.



PRONE STANDER

ADDRESS

16 Signal Hill Rd
Brookfield, CT 06804

TELEPHONE

+(888) 714-8405

EMAIL

sales@stanzme.com

WEB

www.stanzme.com



Stanzme Prone Vertical stander

Stanzme Prone Stander is designed to provide upright positioning with comfort and style. It is accessible, light in weight and easy to move around. Fully adjustable, its size can be increased or decreased according to the height and position.

Features

- Lateral trunk and hip pads
- Padded chest board
- Trunk and hip straps
- Lateral knee supports
- Shoe holder
- Tray with pad
- Locking casters
- Posterior pelvic support pad

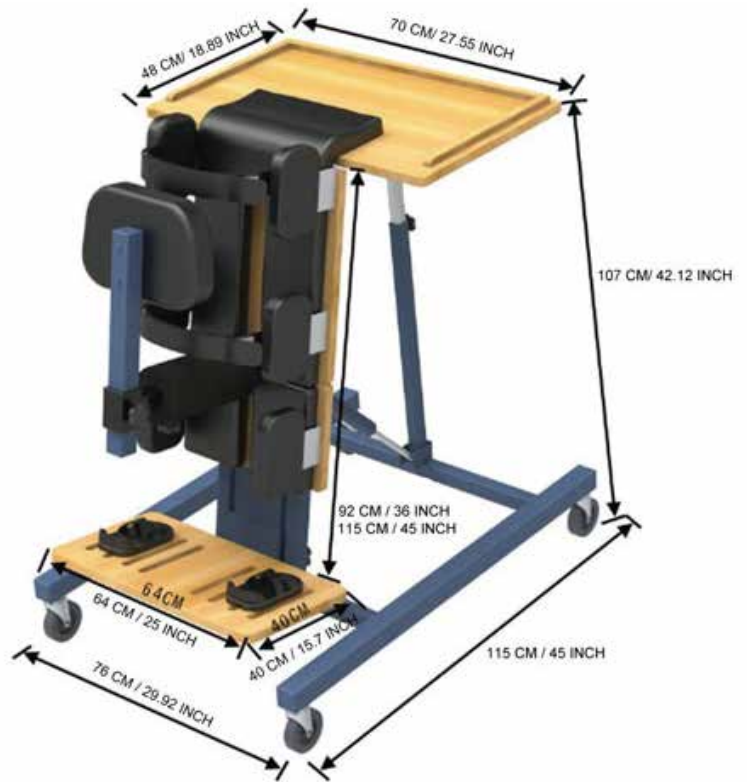
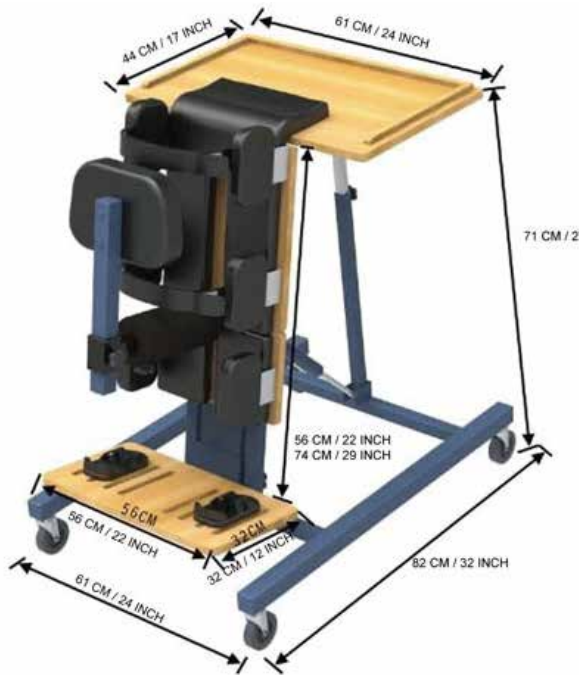


Sizes

| Model | Size (inch) | Size (cm) | Gross weight | User height |
|-----------|--------------|---------------|----------------|-------------|
| SPS-4000S | 33 x 25 x 10 | 85 x 64 x 25 | 58 lbs / 26 kg | 30" - 37" |
| SPS-4000L | 46 x 31 x 11 | 118 x 79 x 28 | 80 lbs / 36 kg | 36" - 55" |

SPS-4000S: 1-7 Years (small)

SPS-4000L: 7-14 Years (large)



Specifications

| Item | SPS-4000S | SPS-4000L |
|--|---------------------------|---------------------------|
| User Age/Weight | 1 - 7 years/ 70lbs | 7 - 14 years/ 130lbs |
| User height (approximate) | 30" - 37" | 36" - 55" |
| Footrest to the top of the chest board | 19" - 29"/56cm - 74cm | 26" - 36" / 66cm - 92cm |
| Footrest dimensions | 22"W x 12"D / 56cm x 32cm | 25"W x 16"D / 64cm x 40cm |
| Floor to top of chestboard | 27"/71cm | 42"/107cm |
| Tray Size | 17" x 24" / 44cm x 61cm | 19" x 28" / 48cm x 70cm |
| Base-width X Length (fully extended) | 24" x 32" / 61cm x 82cm | 30" x 45" / 76cm x 115cm |

Accessories



Two pairs of lateral support pads for trunk and hips offer comfort while improving balance, stability and posture.



The tray is both height and angle adjustable. To adjust the height and angle, loosen the respective knobs located at the center support bar of the stander.



Padded chest board attached to the tray provides anterior support while leaning forward.



Shoe holders allow feet to be maintained in a secure and stable position using the ankle and toe straps.



Two 2" Velcro straps are provided for trunk and hip support to securely position the child in place.



Locking casters prevent roll and swivel during transfers.

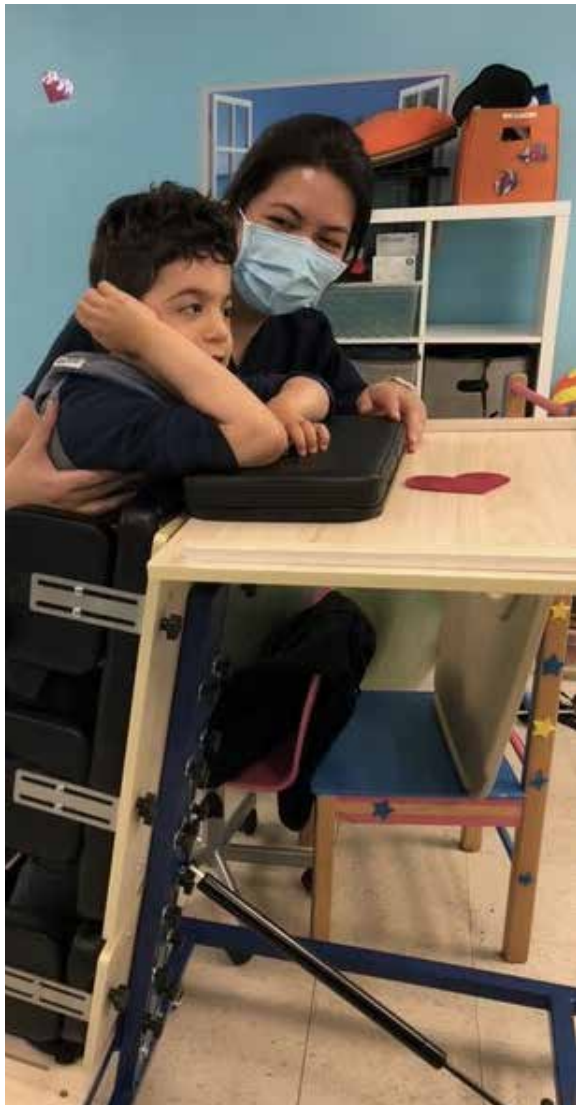


Lateral knee supports ensure the knees and calf are comfortably supported.



Adjustable pelvic support pad provides firm posterior support while standing in an upright or prone position.

Testimonial



As an ATP with over 25 years of experience in custom rehab equipment and standing equipment solutions, Stanzme is my choice of therapeutic equipment as it is simple and easy to use. A child is transferred on it with ease by the caregiver, and secured with prompts from arms, to chest, to hips, to knees, to feet that are easily adjustable.

I like the product because of its ease of use and simplicity, and the child benefits from daily standing therapy. I've no hesitation in recommending Stanzme stander as it can be used efficiently and as often as possible without any technical knowledge or assistance from therapists on a regular basis. It is simple, affordable and insurance-friendly product designed to provide maximum comfort with minimum hassle.

- Joe Q, ATP

Special discount price for Dealers and Special Education Schools. Call us: +(888) 714-8405

ADDRESS

16 Signal Hill Rd
Brookfield, CT 06804

TELEPHONE

+(888) 714-8405

EMAIL

sales@stanzme.com

WEB

www.stanzme.com