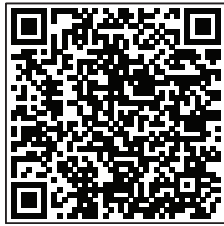


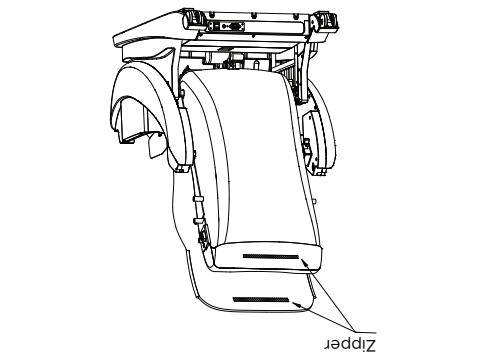
If anything is missing, please contact INFINITY at 603-910-5000. Do not return to the place of purchase.

Or Scan Code

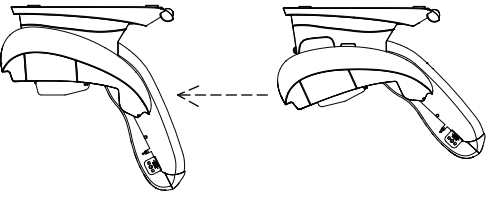


www.infinitymassagechairs.com/assembly-tutorials to watch an assembly video.

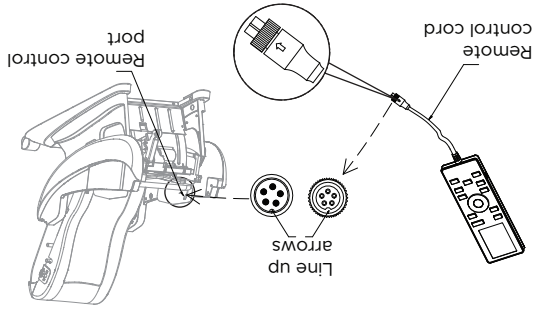
Step 1: Carefully check box contents to the detail below, making sure all contents are accounted for.



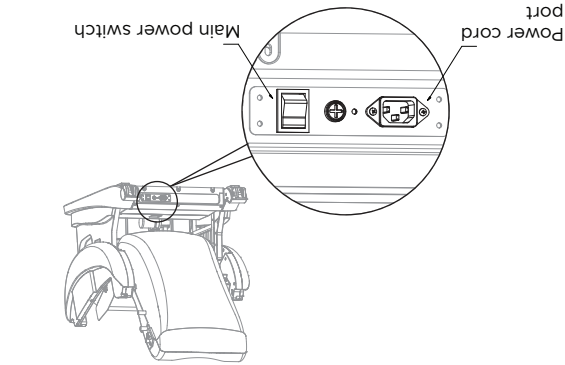
Step 5: Attach the back cushion by draping it over the top of the chair body and zipping it to the zipper located on the top of the back of the chair body.



Step 4: Press the power button on the remote control once to turn on, then once more to bring the chair into upright position. To protect you and the remote control during assembly, unplug it from the chair and switch the main power off.



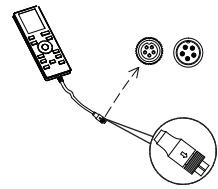
Step 3: Plug the remote control cord into the remote control port located on the right side of the seat cushion. Ensure the **arrows** on the top of the remote control cord and the remote control port are **lined up**. Screw on the remote control cord to fasten. Do not force.



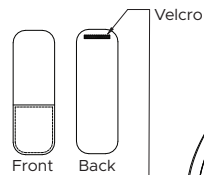
Step 2: Connect the chair power cord to a grounded 110V electrical outlet and plug it into the respective port on the back side of the base of the chair. Flip the main power switch to on.

Final Check:

Plug the remote control cord back into the input port located on the right side of the seat cushion. Ensure the **arrows** on the top of the remote control cord and the remote control port are **lined up**.

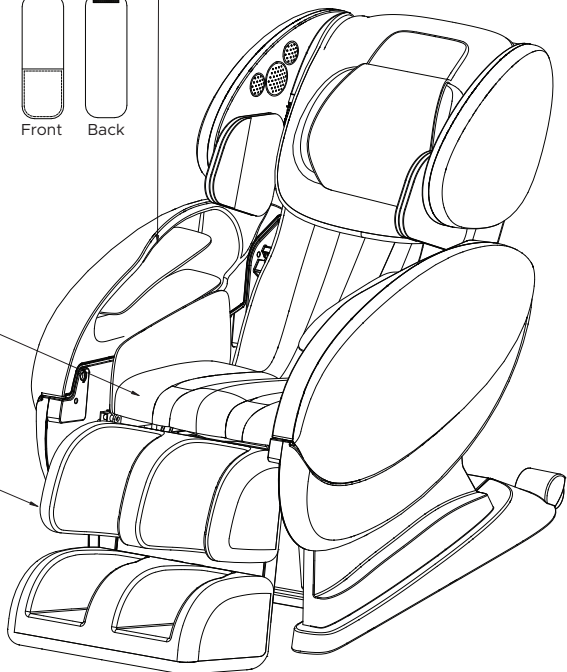


Remote Pouch
Attach remote pouch using velcro found underneath the right arm rest.



Zipper the closure between the Footrest and Chair Body.

Ensure the Footrest assembly swings freely up and down, Electrical connections are firmly attached and air hose is secure. Remove the foot pads to **increase foot roller intensity**, if desired.



Review chair for smooth operation. If things are not operating correctly, review all assembly steps. Call Infinity support at 1-603-910-5000 if you need live US-based support.

If you wish to use an APP to control the chair, download from the Apple or Google app store and follow pairing instruction found within the APP.

You are done; time for a Massage!

Power on the remote and select AUTO program to start a session.



Go to www.infinitymassagechairs.com/warranty to register your chair and enable full support for your warranty.

INFINITY

72 Stard Road, Seabrook, NH 03874 (603) 910-5000 www.infinitymassagechairs.com

Version 1.2

INFINITY
MESSAGE CHAIRS

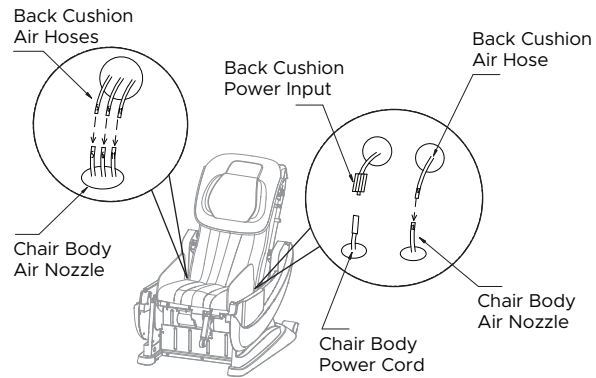
Assembly
Guide

IT-8500 Plus
Massage Chair

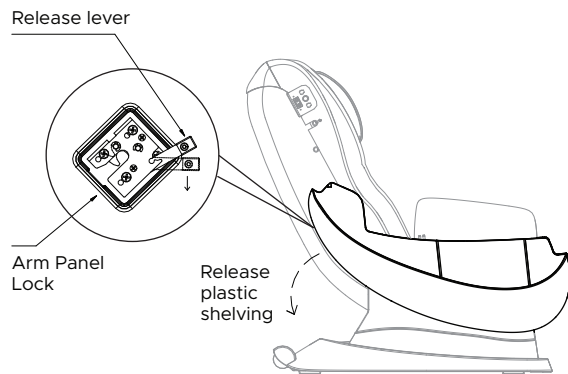
INFINITY

MASSAGE CHAIRS

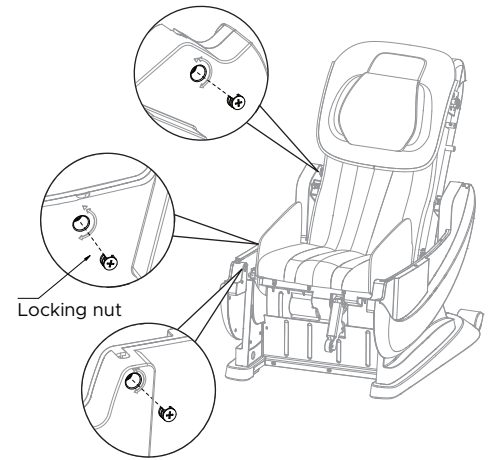
6 Step 6: On the **left-hip side**, locate and connect the air hose to the air nozzle on the body of the chair; also connect the power input to the chair body power cord and fasten. On the **right-hip side**, locate and connect the three air hoses from the back cushion to their corresponding air nozzles based on the numbers labelled on each. Zipper the closure between the Seat Cushion and Back Cushion.



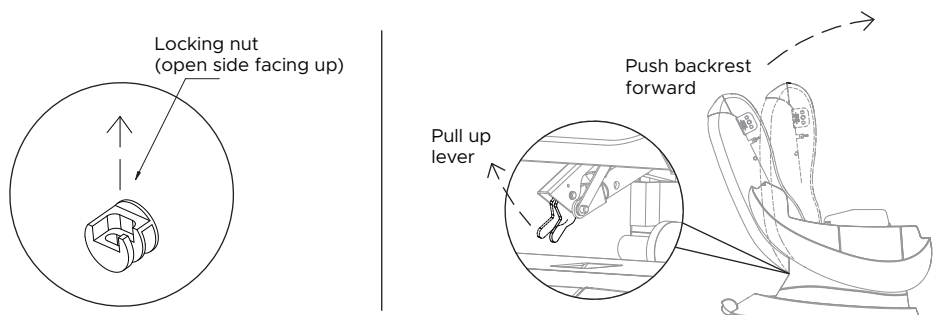
7 Step 7: If attached, remove the plastic shelving of the arm panel from the arm panel lock. The arm panel lock can be accessed from the back side of the shelving. To release the arm panel lock push down on the release lever.



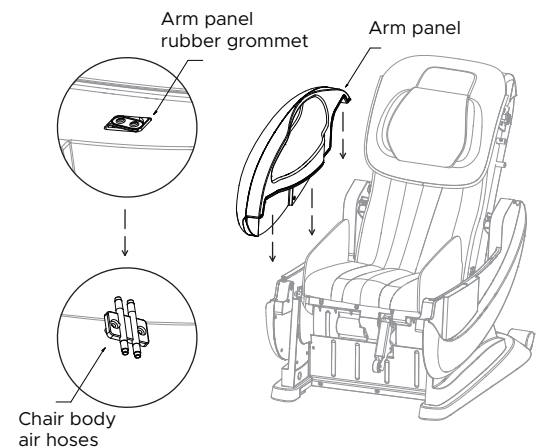
8 Step 8: Take 3 locking nuts from the bag of parts and place them into the 3 holes along the inside of the plastic shelving. Make sure the + is facing out on the locking nuts.



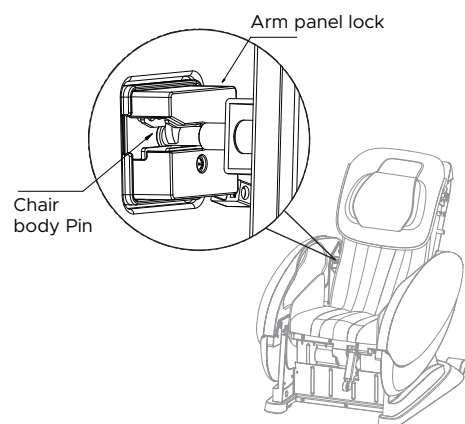
9 Step 9: Using the screwdriver provided, rotate each locking nut to bring the open side facing up. You can ensure the open side is facing up by looking at the hole on the top of the shelving. To access the middle nut, pull up on the lever on the base of the backrest and push the backrest forward. After fastening, make sure the backrest locks back into place.



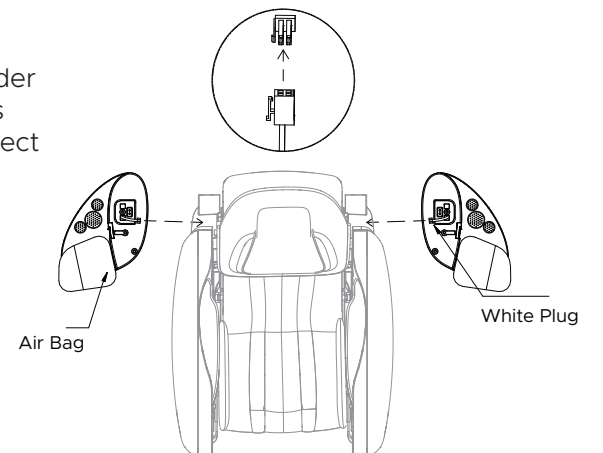
10 Step 10: Place the arm panel onto the plastic shelving, lining up the two air hoses on the body of the chair with the rubber grommet on the underside of the arm panel, as well as the three arm panel pins into the holes in the plastic shelving. Tighten the 3 locking nuts to secure the arm in place, again temporarily releasing the lever to push the backrest forward and access the middle nut.



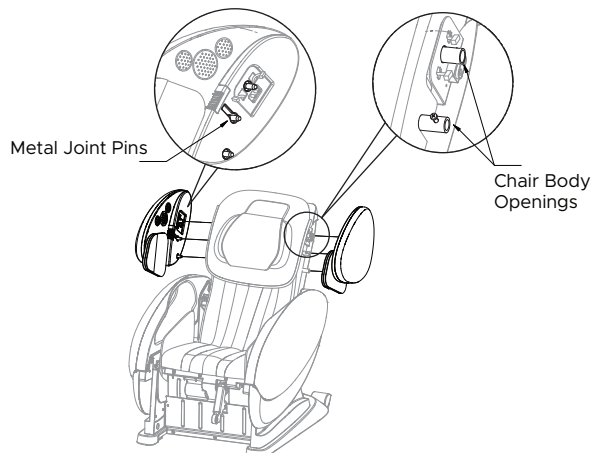
11 Step 11: Shimmy the arm panel upward and towards the front of the chair until the pin on the side of the chair body secures into the arm panel lock.



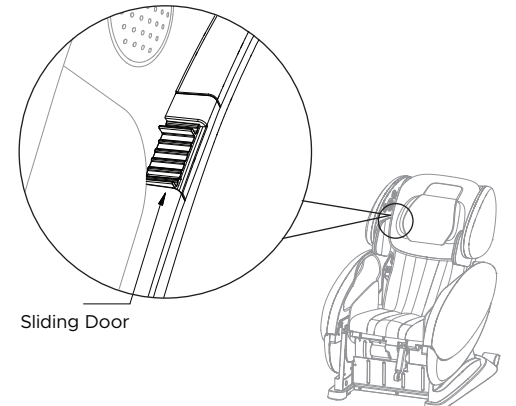
12 Step 12: Before attaching the shoulder panels, ensure the airbag is toward front of chair. Connect the white plug until it clips.



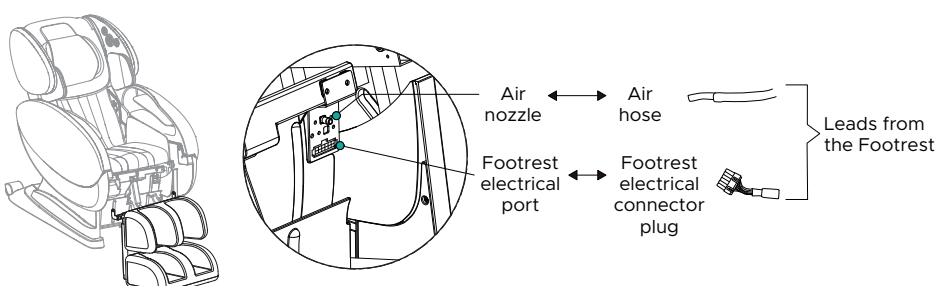
13 Step 13: Slide the metal joint pins into the opening on the chair body until the Shoulder Panel secures into place.



14 Step 14: On the inside of the shoulder panel, locate and open the small sliding door where you will see a screw. Screw in clockwise tightly and then close the sliding door when the shoulder panel is fully secured.



15 Step 15: Remove the footrest from its packaging and position it in front of the main chair body. Connect the footrest by attaching the electrical plug from the footrest into the port on the body of the chair. Ensure the thumb release is facing up and push in until it snaps. Slide the air hose onto the white air nozzle.



16 Step 16: Lift up and pull back flap on the footrest. Slide the footrest in and shift it until the mounting bracket is properly aligned with the screw holes located on the chair's body. Insert the hex screws through the screw holes to fasten the footrest to the body of the chair. Repeat on other side. Tighten with Hex Key.

