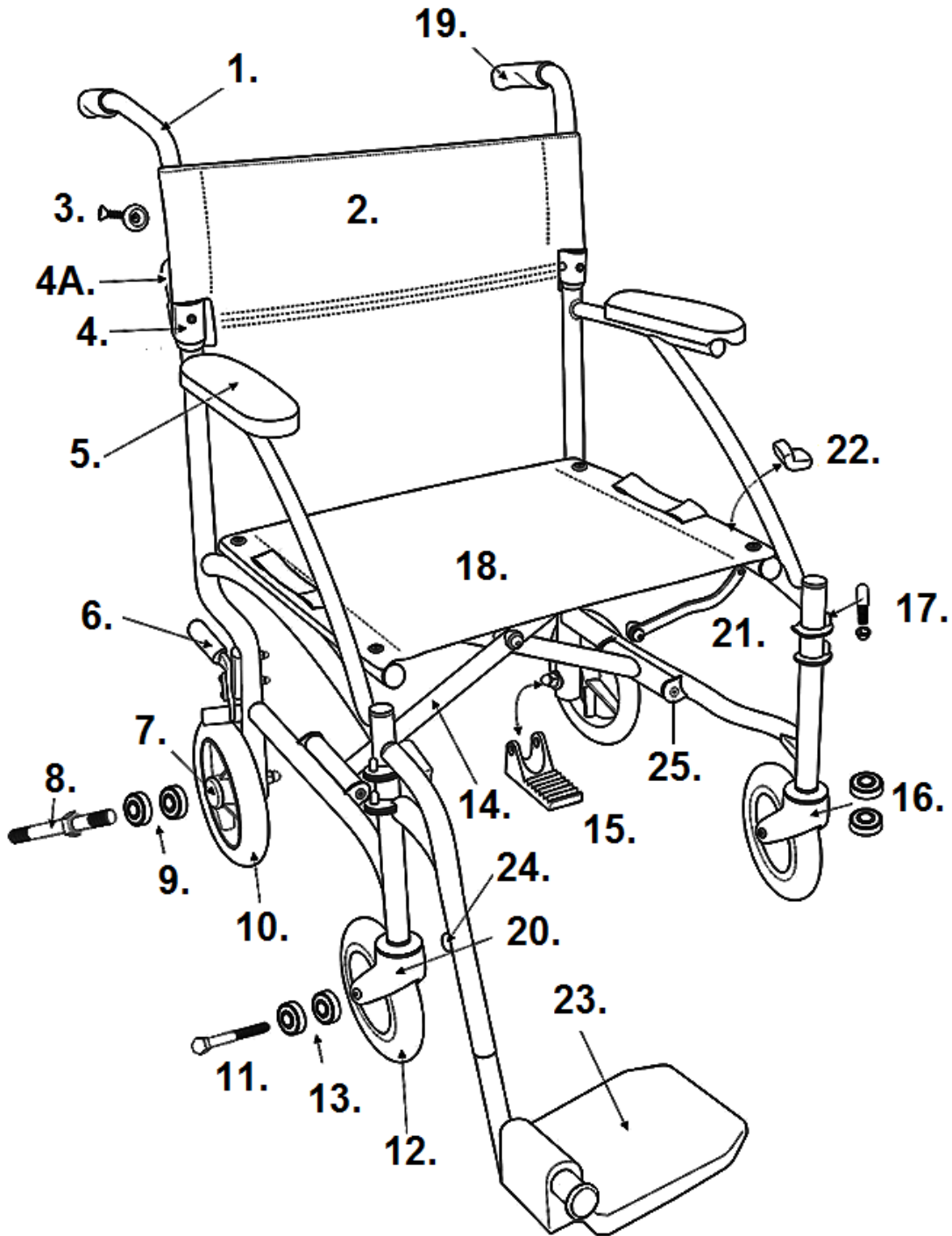


FLY-LITE ALUMINUM TRANSPORT CHAIR (DFL19)



- | | |
|---|--|
| 1. Handle Bar Black Left- STDS2A181L
Handle Bar Black Right- [1]
Handle Bar Blue Left- STDS2A182L
Handle Bar Blue Right- STDS2A182R
Handle Bar Red Left- [1]
Handle Bar Red Right- [1] | 13. Caster Bearings- STDS1011 |
| 2. Back Upholstery Black- STDS2A1891
Back Upholstery Silver Plaid- STDS2A1892
Back Upholstery Blue Plaid- STDA2A1893 | 14. Cross Frame Blue- STDS2A18X1
Cross Frame Black- STDS2A18X2
Cross Frame Red- [1] |
| 3. Back Uphol. Hardware (8 ea)- STDS5D5504 | 15. Tipping Sleeve- STDS2A1802 |
| 4. Folding Cane Hinge Assembly- STDS001014 | 16. Fork Stem Bearing- STDS1060 |
| 4a. Release Lever- TRB-1 | 17. Hanger Pin- STDS1069-4 |
| 5. Arm Pad Black- STDS2A1824
Arm Pad Silver Plaid- STDS2A1804
Arm Pad Blue Plaid- STDS2A1814 | 18. Seat Upholstery: Black- STDS2A1819
Seat Upholstery Silver Plaid- STDS2A1829
Seat Upholstery Blue Plaid- STDS2A1839 |
| 6. Wheel Lock Left- STDS2A184L
Wheel Lock Right- STDS2A184R
Wheel Lock Tip- STDS4011 | 19. Handgrip- STDS871 |
| 7. Hub Cap- STDS2A1801 | 20. Fork - STDS2A1805 |
| 8. Rear Axle- STDS2A1811 | 21. Cross Frame Assist Blue- STDS2A1803
Cross Frame Red- [1]
Cross Frame Assist Black- STDS2A1809 |
| 9. Rear Wheel Bearing- STDS002050 | 22. Seat Rail Pad- [1] |
| 10. Rear Wheel- STDS2A1800 | 23. Footrest Black- DFLSFBK
Footrest Blue- DFLSFBL
Footrest Red- DFLSFRD |
| 11. Caster Axle - STDS2A1806 | 24. Footrest Knob- FWSFK
Footrest Knob Receiver- FWSFK-R |
| 12. Caster- STDS2A1810 | 25. Cross Frame Screws (4)- STDS2A18XS-4 * |

* For 2A serial #

[1] Part is no longer available.