

## **SAFETY GUIDELINES — READ BEFORE USE**

- ⚠ **WARNING: Important: Read and understand these instructions before installing or using the Gendron GH935850 Maxi Lift Bariatric Trapeze. Ensure the Trapeze is installed as described in the following paragraphs before use. If you do not understand any part of these warnings, cautions or instructions, contact a healthcare professional for direction in the use of this product. If the Trapeze is not properly installed, personal injury and/or property damage could result.**
- ⚠ **WARNING: The trapeze, when used in conjunction with a bed, can assist an individual with a maximum weight of 850 lb.**
- ⚠ **WARNING: If components are damaged or missing, contact your GF authorized distributor immediately. DO NOT use substitute parts.**
- ⚠ **WARNING: Cancer and Reproductive Harm - [www.p65warnings.ca.gov](http://www.p65warnings.ca.gov).**
- ⚠ **WARNING: GF Health Products, Inc. assumes no responsibility for any damage or injury caused by improper installation, assembly or use of this product.**

## **INTENDED USE**

The GH935850 Maxi Lift Bariatric Trapeze is intended to assist in repositioning oneself in bed.

- ⚠ **WARNING: The Trapeze is intended to be used ONLY as an assistive device — that is, to enable patients to more easily and safely reposition themselves. It is not intended to bear entire body weight.**

## **UNPACKING**

1. Open carton and carefully remove contents.
2. Check for any obvious damage to the carton or its contents. If damage is evident, DO NOT USE. Contact carrier / distributor for further instruction.

***Info: During assembly, refer to pictures that follow to identify components.***



**Gendron GH935850 Maxi Lift  
Bariatric Trapeze**

## ASSEMBLY

*Required tools: Two 9/16" wrenches or sockets, two 3/4" wrenches or sockets*

**⚠ WARNING! Ensure trapeze is installed on level floor. Failure to set up properly may damage the trapeze and cause personal injury to users or attendants.**

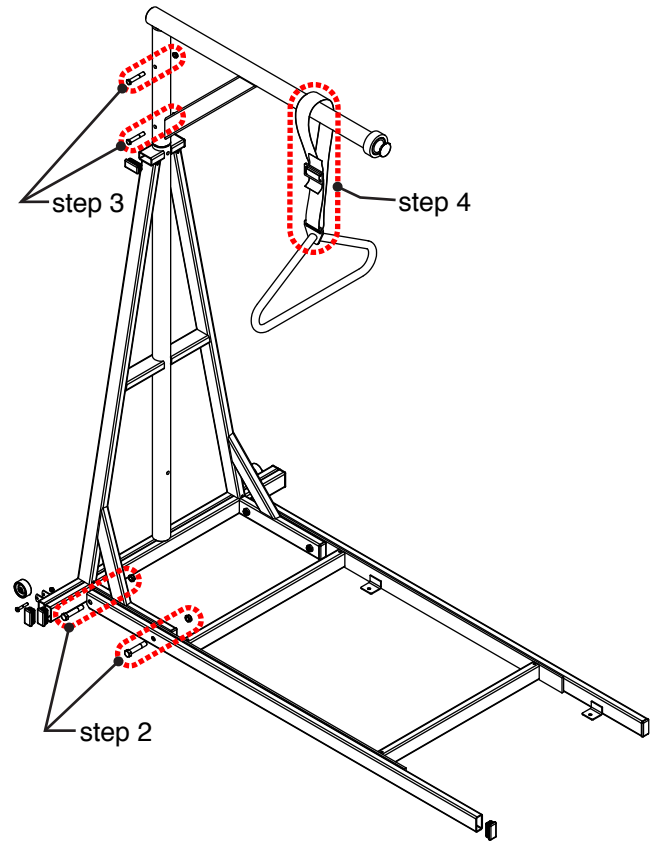
### Setup

1. Unfold the base and stand the frame up as shown at right.
2. Install two 1/2-20-UNF x 2 3/4" hex head bolts and two 1/2-20-UNF thin lock nuts on each side as shown. Use two 3/4" wrenches to tighten all four bolts and nuts.
3. Slide boom over trapeze frame and install two 3/8-16-UNF x 2 1/4" hex head bolts and two 3/8-16-UNF lock nuts. Use two 9/16" wrenches to tighten both bolts and nuts.
4. Slide trapeze bar and strap assembly over boom and adjust to desired height by shortening or lengthening strap.

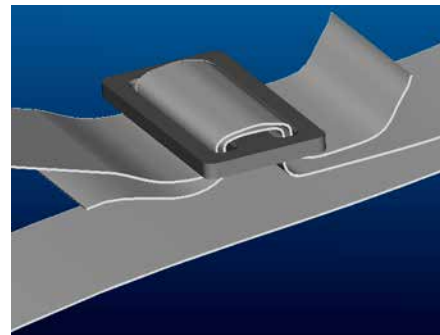
**⚠ WARNING! Pass the strap through the buckle only using the method shown at right. Strap assembly using any other method could cause the strap to fail.**

**⚠ WARNING! When adjusting strap for desired trapeze bar height, ensure there are at least two inches of strap left on either end of the buckle, as shown at right.**

**⚠ WARNING! If strap becomes torn or frayed, replace it immediately.**



setup

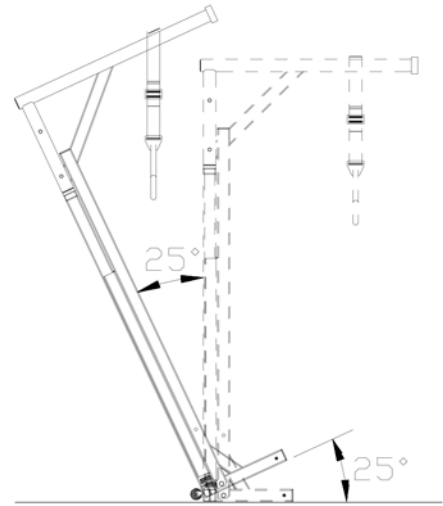


trapeze handle webbing buckle

## Transporting the Trapeze

**Info:** The trapeze may be free standing or anchored to the floor using the four brackets provided.

1. To use the transport wheels, use two  $\frac{3}{4}$ " wrenches to remove the  $\frac{1}{2}$ -20-UNF x  $2\frac{3}{4}$ " hex head bolt and thin lock nuts that secure the trapeze to the base on each side.
2. Fold the base up.
3. Tilt trapeze 15-25° back as shown at right and carefully roll to new location.
2. After transporting trapeze, reassemble base bolts and tighten (as described in **Setup**, step 2).



**⚠ WARNING! Moving the trapeze on the transport wheels can be very dangerous. Use extreme care! The person moving the trapeze must be able to handle the weight or have an assistant to help. Do not tilt the frame more than 25°, as shown above. Do not let the center of gravity become too low. Maintain a firm grip on the trapeze.**

## TRAPEZE OPERATION

- ⚠ WARNING:** Before use, ensure trapeze is correctly and securely assembled, and all clamps and fasteners are tight.
- ⚠ WARNING:** The Trapeze is intended to be used **ONLY** as an assistive device — that is, to enable patients to more easily and safely reposition themselves. It is not intended to bear entire body weight.

## MAINTENANCE AND CLEANING

**⚠ WARNING:** During use, ensure trapeze components are securely fastened at all times.

### Cleaning

Use a soft cloth, dampened with water and a mild NON-ABRASIVE detergent (household cleaner, soapy water, or hospital grade disinfectant), to clean the trapeze.

## LIMITED WARRANTY

### SCOPE OF WARRANTY

GF Health Products, Inc. (“GF”) warrants to the original purchaser only that it will replace or repair components, at GF’s sole discretion, that are defective in material or workmanship under normal use and service. All warranties are conditioned upon the proper use of the products strictly in accordance with good commercial practice and applicable GF instructions and manuals, including proper use and maintenance. To the extent that a component is warranted by a third party, GF conveys all of its rights under that warranty to the original purchaser, to the extent permitted. This limited warranty shall only apply to defects that are reported to GF’s customer service team within the applicable warranty period and which, upon examination by GF or its authorized representative, prove to be a warranty item. This limited warranty is not transferable. The warranted components and time period are set forth below:

Trapeze frame:.....two years

All other durable components not listed above:.....one year

The applicable warranty period shall commence from date of shipment to the original customer, unless there is an expiration date on the component in which case the warranty shall expire on the earlier of warranty period or the expiration date.

## **OBTAINING WARRANTY SERVICE**

This limited warranty shall only apply to defects that are reported to the Distributor from whom the Customer purchased the product within the applicable warranty period. If there is not a Distributor, you must contact GF directly by calling 1.770.368.4700, sending a fax request to 1.770.368.2386, or by e-mailing a request to [cs@grahamfield.com](mailto:cs@grahamfield.com). Specific directions will be provided by the Customer Service Representative. Failure to abide by the specific directions will result in denial of the warranty claim.

## **EXCLUSIONS**

The warranty does not cover and GF shall not be liable for the following:

- 1) Defects, damage, or other conditions caused, in whole or in part, by misuse, abuse, negligence, alteration, accident, freight damage, tampering or failure to seek and obtain repair or replacement in a timely manner;
- 2) Products which are not installed, used, or properly cleaned and maintained as required in the official manual for the applicable product;
- 3) Products considered to be of a non-durable nature including, but not limited to: casters, filters, fuses, gaskets, lubricants, and charts;
- 4) Accessories or parts not provided by GF;
- 5) Charges by anyone for adjustments, repairs, replacement parts, installation or other work performed upon or in connection with such products which are not expressly authorized in writing, in advance, by GF;
- 6) Any labor or shipping charges incurred in the replacement part installation or repair;
- 7) Costs and expenses of regular maintenance and cleaning; and
- 8) Representations and warranties made by any person or entity other than GF.

## **ENTIRE WARRANTY, EXCLUSIVE REMEDY AND CONSEQUENTIAL DAMAGES DISCLAIMER**

THIS WARRANTY IS GF'S ONLY WARRANTY AND IS IN LIEU OF ALL OTHER WARRANTIES, EXPRESS OR IMPLIED. GF MAKES NO IMPLIED WARRANTIES OF ANY KIND INCLUDING ANY IMPLIED WARRANTIES OF MERCHANTABILITY OR FITNESS FOR A PARTICULAR PURPOSE. IF ANY MODEL OR SAMPLE WAS SHOWN TO THE CUSTOMER, SUCH MODEL OR SAMPLE WAS USED MERELY TO ILLUSTRATE THE GENERAL TYPE AND QUALITY OF THE PRODUCT AND NOT TO REPRESENT THAT THE PRODUCT WOULD NECESSARILY CONFORM TO THE MODEL OR SAMPLE IN ALL RESPECTS. THIS WARRANTY IS LIMITED TO THE REPAIR OR REPLACEMENT OF THE DEFECTIVE PARTS. GF SHALL NOT BE LIABLE FOR AND HEREBY DISCLAIMS ANY DIRECT, SPECIAL, INDIRECT, INCIDENTAL, EXEMPLARY OR CONSEQUENTIAL DAMAGES, INCLUDING, BUT NOT LIMITED TO: DAMAGES FOR LOSS OF PROFITS OR INCOME, LOSS OF USE, DOWNTIME, COVER, OR EMPLOYEE OR INDEPENDENT CONTRACTOR WAGES, PAYMENTS AND BENEFITS.

The warranties contained herein contain all the representations and warranties with respect to the subject matter of this document, and supersede all prior negotiations, agreements and understandings with respect thereto. The recipient of this document hereby acknowledges and represents that it has not relied on any representation, assertion, guarantee, warranty, collateral contract or other assurance, except those set out in this document.

For additional information on this product or this warranty, please contact a GF Customer Service Representative.

## **NOTES:**

- 1) Additional terms and conditions may apply.
- 2) Freight claims must be notated on the appropriate shipping documents and must be made with immediacy. International, federal and state regulations govern specific requirements for freight claims. Failure to abide by those regulations may result in a denial of the freight claim. GF will assist you in filing the freight claim.
- 3) Claims for any short shipment must be made within three (3) days of the invoice date.



1.770.368.4700

Information contained herein is subject to change.

The most current and complete product information can be found on our website.

[www.grahamfield.com](http://www.grahamfield.com)



© 2020, GF Health Products, Inc. All Rights Reserved.

Gendron is a trademark of GF Health Products, Inc.

GF Health Products, Inc. is an ISO 13485:2016 / MDSAP Certified Company.

Manufactured by GF Health Products, Inc.

Made in U.S.A.