

FreeRider®

working together

Freedom Reliability Innovation

FR1



USERS INSTRUCTION MANUAL



FOREWORD

Please read and follow all instructions in this Users Instruction Manual before attempting to operate your Scooter for the first time. If there is anything in this manual that you do not understand, or if you require additional assistance for setting it up, contact your Authorized Agent.

Using your product safely depends upon your diligence in following the warnings, cautions and instructions in this manual.

A full technical specification can be found at the rear of this manual.

Using your Scooter safely also depends upon your good judgment and / or common sense, as well as that of your Provider, Caregiver or Health Professional.



Always think safety!



CONTENTS

Introduction	3
Purpose of your Scooter	4
Rules for safe use	5
Getting to know your Scooter	7
Operating your Scooter	8
Freewheeling your Scooter	15
Safety instructions and warning	15
Safety warning & instruction labels	17
Learning to get about	17
Batteries and battery charging	19
Basic fault finding	21
Technical specification	24
Classification	26
Optional accessories	27
Guarantee terms	29
Service history	30



INTRODUCTION

Congratulations on the purchase of your Scooter. Please read this User Instruction Manual carefully before you attempt to operate your scooter. Your User Instruction Manual will assist you to get the most from your machine.

This manual contains important information regarding the safe operation and maintenance of your Scooter.

If you have any queries concerning operation or maintenance, consult your authorized dealer.

Please keep in mind that the operator of the Scooter is responsible for hazards occurring to other people or their property.

The FR1 provides transportation for an elderly or disabled person. It can be used in a variety of indoor and outdoor settings.

Your scooter has numerous features not found on other power scooters. With proper care and maintenance, you will enjoy many years of dependable service.

Please remember that when it comes to service and repairs, your authorized dealer knows your scooter best.





PURPOSE OF YOUR SCOOTER

Your Scooter is suitable for persons who require independent mobility combined with comfort, safety, reliability and a product that needs a minimal amount of maintenance.

The intended user should possess some degree of ability with the use of both arms and hands, reasonable balance and good eyesight, and a degree of spatial awareness.

The user should have received training in the use of the product, preferably in their normal environment.

Your Scooter should not be used in torrential rain or deep snow, on loose slippery surfaces and slopes or on wet grass etc., which could become a danger to the rider, or other road users.

Do not drive your scooter if you are under the influence of alcohol, drugs or medication that may affect your ability. If you are in doubt consult your doctor.



RULE FOR SAFE USE

These symbols below are used in this Users Instruction manual to identify warnings and cautions. It is very important for you to read and understand them.

Warning: Failure to note the warnings in this user's manual may result in personal injury.

Your scooter is a powerful machine. Please read all of the instructions in this manual before operating your Scooter. Follow notes carefully to ensure safety at all times.

Always make certain your machine is fully charged and in full working order before starting your journey.

Weight Limitations: Your scooter is rated for a maximum weight capacity of 400 lbs.

1. Do not ride your scooter without reading this instruction manual. Also read all of the safety instructions and warnings at the start of this manual.
2. Only drive your scooter if your health condition will allow you to be safe.
3. Do not exceed the maximum safe gradient outlined for your vehicle
4. Do not carry passengers or exceed the maximum carrying weight.
5. Do not reverse your scooter onto uneven inclines or surfaces. Be cautious when traversing slopes.
6. Do not drive your scooter in a confined space unless the speed adjustment dial is set low.
7. Do not turn suddenly at full speed, especially on uneven or sloping ground.
8. Do not drive your scooter where you cannot safely or legally walk.
9. Do not drive your scooter unless the seat is locked into the driving position.
10. Do not drive your scooter over deep, soft terrain (eg. soft earth, deep grass, loose gravel, snow).
11. Do not drive when under the influence of alcohol or certain drugs which may impair your safety.
12. Do not climb or descend Curbs that exceed the maximum dimension detailed under technical specification of this manual. Do not turn when negotiating curbs.
13. Always approach obstacles at low speed.
14. Always approach obstacles straight.
15. Always keep your feet on the vehicle when driving.
16. Always proceed carefully while riding, especially as you approach the downgrade of a ramp.
17. Always reduce speed when descending inclines.
18. Always avoid uneven surfaces.
19. Always consult your physician or a therapist if in doubt about your ability to operate a Scooter.

20. Transport - Do not sit on your scooter while it is in a moving vehicle. Always strap down your scooter then transfer to the vehicle seat.
21. The batteries fitted to your scooter are maintenance free and do not require topping up with distilled water.
22. Do not drive your scooter through deep water or clean with a high pressure hose.
23. Do not drive your scooter through sea sand or sea water, this is very corrosive.

Always wash salt splashing from the metal parts of your Scooter with hot soapy water as soon as possible.

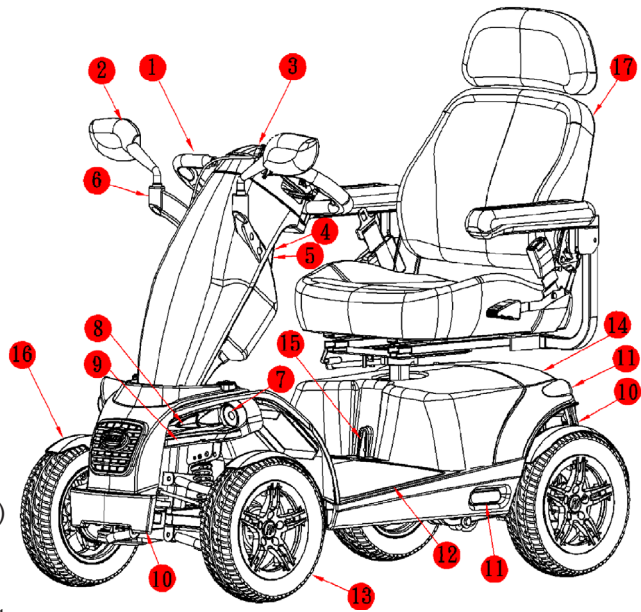
24. Do not drive on motorways, highways (i.e. those with a speed limit of over 50mph), cycle lanes or in bus lanes.
25. Always switch your lights on at night or in poor visibility. Wear reflective clothing.

Please remember you are a motorized pedestrian and must observe all rules and regulations of other pedestrians wherever possible. Your scooter has been designed for use on most roads; drive with due care and attention. Read the 'Safety instructions and warnings' section of this manual.

Please have a safe journey

GETTING TO KNOW YOUR SCOOTER

1. Steering handbars
2. Driving mirror
3. Console
4. Off-board charger port
5. USB 5V power outlet
6. Injection mirror bracket
7. Front lights
8. Direction indicator lights
9. Daytime running lights
10. Front and rear bumpers
11. Side and rear reflectors
12. Floor mat
13. 13" aluminum alloy sporty wheels
14. 3 functions in one rear lighting (rear light/indicators/auto brake light)
15. Main circuit breaker
16. Mudguards for all wheels
17. Adjustable angle seat with backrest



Your Scooter is delivered fully assembled, fitting the two batteries and the seat assembly together with some minor adjustments are detailed on the following pages, under 'Operating your Scooter'. A full technical specification for your Scooter can be found at the rear of this manual.

A great deal of thought and consultation has gone into the design of your state-of-the-art, life-changing scooter. Your Scooter will help to increase your mobility and therefore give you more time and energy to enjoy your life.

A great deal of thought has gone into the design of your four wheeled vehicle which will allow you to negotiate obstacles found in confined shopping areas. Also, the four wheels will give you added stability on uneven surface. This is just one of the features you will find on your Scooter.

Others are:

COMFORT - The contoured seat giving you day-long comfort. A fully proportional speed-controller with a speed restriction facility allows you a smooth, safe jerk-free ride.

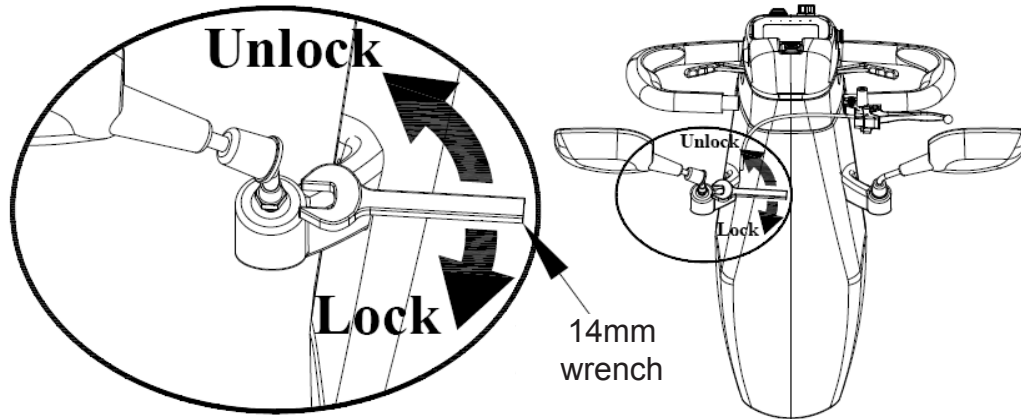
CAUTION -Do not switch 'off' the on/off power key when you are moving; this will automatically apply the motor parking brake suddenly and could place you in a dangerous situation. Your scooter is fitted with anti-tipping wheels. Do not remove these anti-tipping wheels, they are an important part of the scooter design provided specifically for your safety.



OPERATING YOUR SCOOTER

Before setting out on your scooter you need to make sure that your seat is in the correct driving position. The seat has three basic adjustments to assist your comfort.

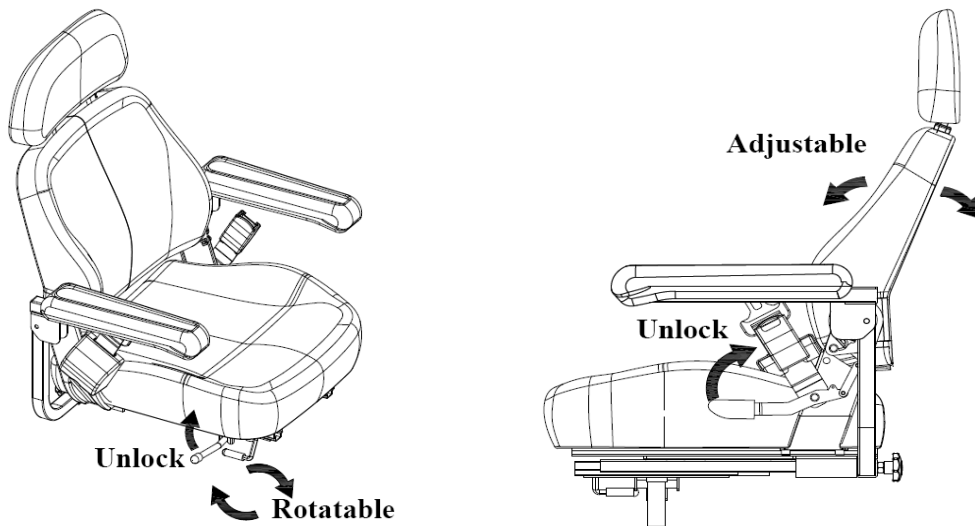
1. Mirror assemble:



2. Seat Lock Lever:

This allows the seat to swivel through 360 degree: Pull up fully to release the seat allowing rotation. Release lever to lock the seat into the desired position. .

Caution: The seat locking lever must be locked in place and be lifted up fully when rotating the seat, failure to observe this may result in unnecessary wear of the seat post.



Removing seat from Scooter:

The seat mounting post is designed with a special safety lifting point, this will prevent the seat from inadvertently coming off, It can only be removed by turning the 90 degree from the forward driving position.

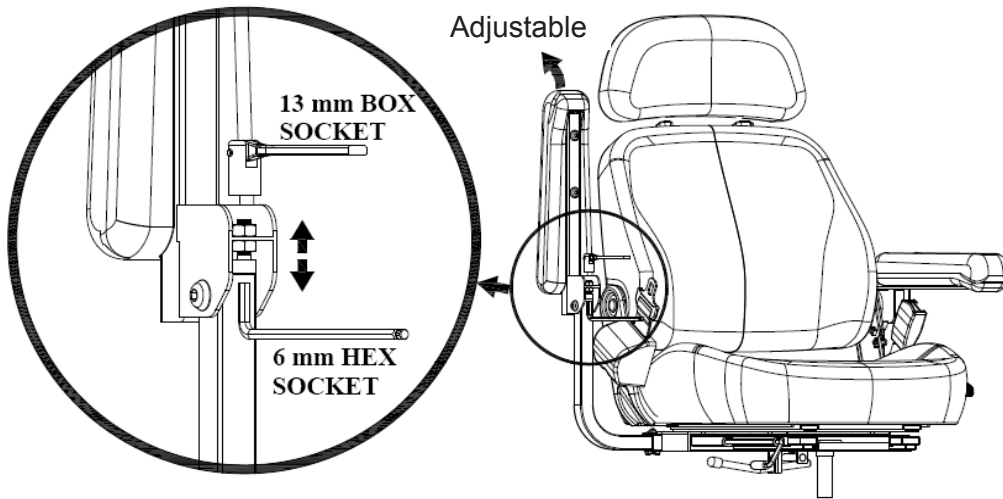
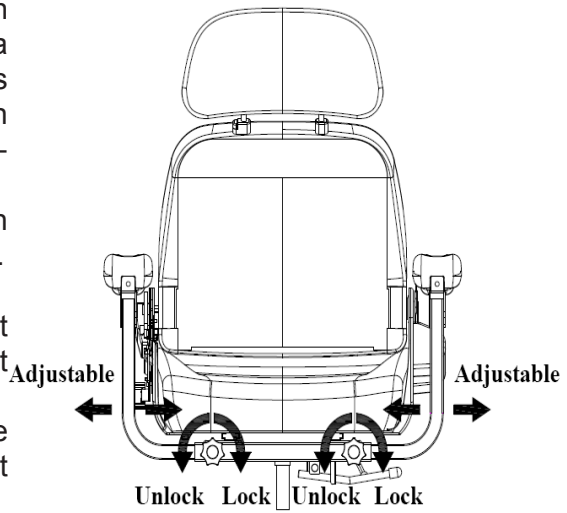
3. Armrest Width Adjustment: On each side at the rear of the seat you will find a large black knob. By simply loosening this knob you are able to slide the armrests in or out to whatever width you desire. Re-tighten the knobs fully.

Warning: Do not drive your scooter with the arms removed or in the raised position.

4. Armrest Angle Adjustment: The armrest angle can be adjusted individually to suit your needs.

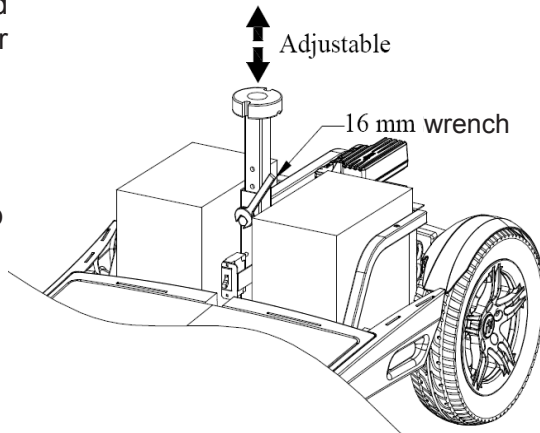
To make adjustments to the armrest angle you will need two 13mm wrenches (not provided). Lift the arm upwards, you will note the adjusting bolt. First loosen the locking nut, rotate the bolt in or out until the required angle is found, lower the arm and check the angle for comfort; re-adjust as necessary.

Finally the tighten locking nut.



5. Seat Height Adjustment: You may need to alter the seat height setting at a later date, please follow these instructions.

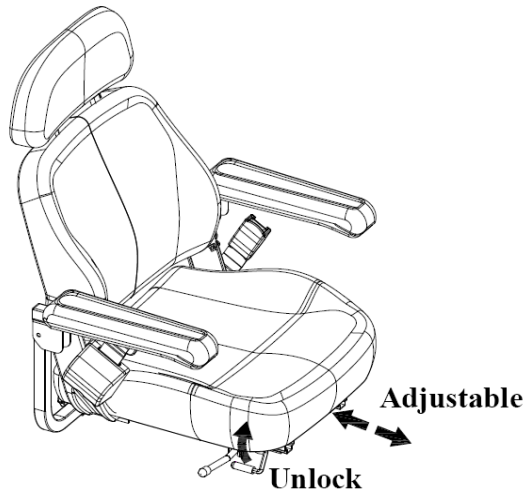
- (1) Remove your seat from the Scooter by lifting the seat.
- (2) With the aid of a 16mm wrench (not supplied) loosen the 10mm seat clamp fixing bolt from side of seat post. Remove the 10mm fixing bolt and reposition the bolt into one of the four preferred location holes of the seat mounting tube.



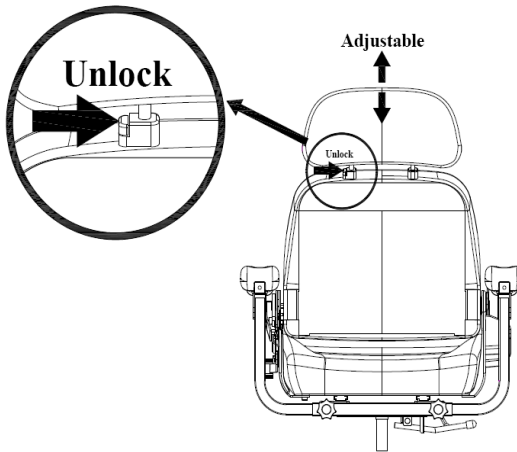
- (3). Re-tighten the 10mm fixing screw.
- (4). Refit the seat onto your Scooter.

6. Seat Slide of the seat: Located on the right front side of the seat. The lever allows you to adjust your seat forwards and backwards when sitting on the seat. Simply pull up the lever and move in the desired position backward by pushing or forward by hitching. As soon as the lever is released, the seat will lock into the new position.

Caution: Check the seat has fully locked by hitching backwards and forwards.



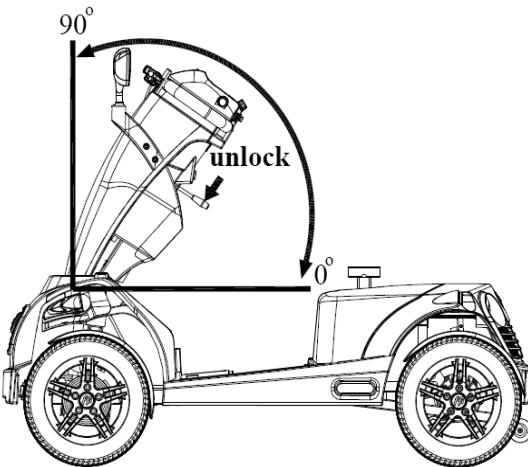
7. Backrest Height Adjustment: The upper cushion of your backrest can be adjusted for height, giving you more back support if you are tall, by operating the small latch cushion up or push down for the most comfortable position.



8. Handlebar Adjustment: The handlebar of your Scooter is designed to allow you to position it in a comfortable driving position. It can be locked into numerous positions or unlocked to move freely for transportation.

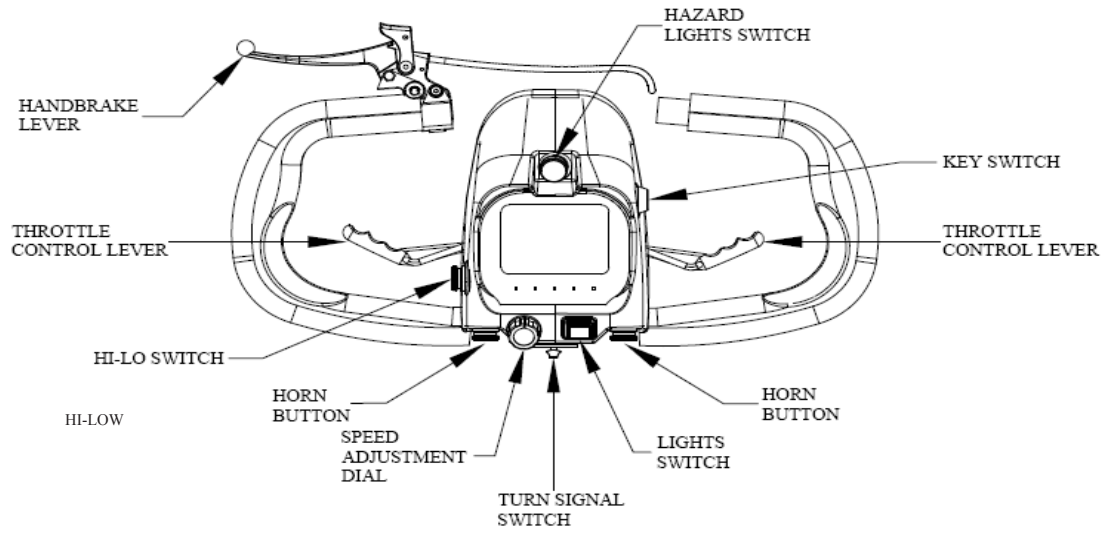
The handlebar lock is operated by a black lever positioned on the right hand side of the handlebar.

To release the handlebar from a locked position pull the black lever upwards, the handlebar will now move freely, but under mild tension.

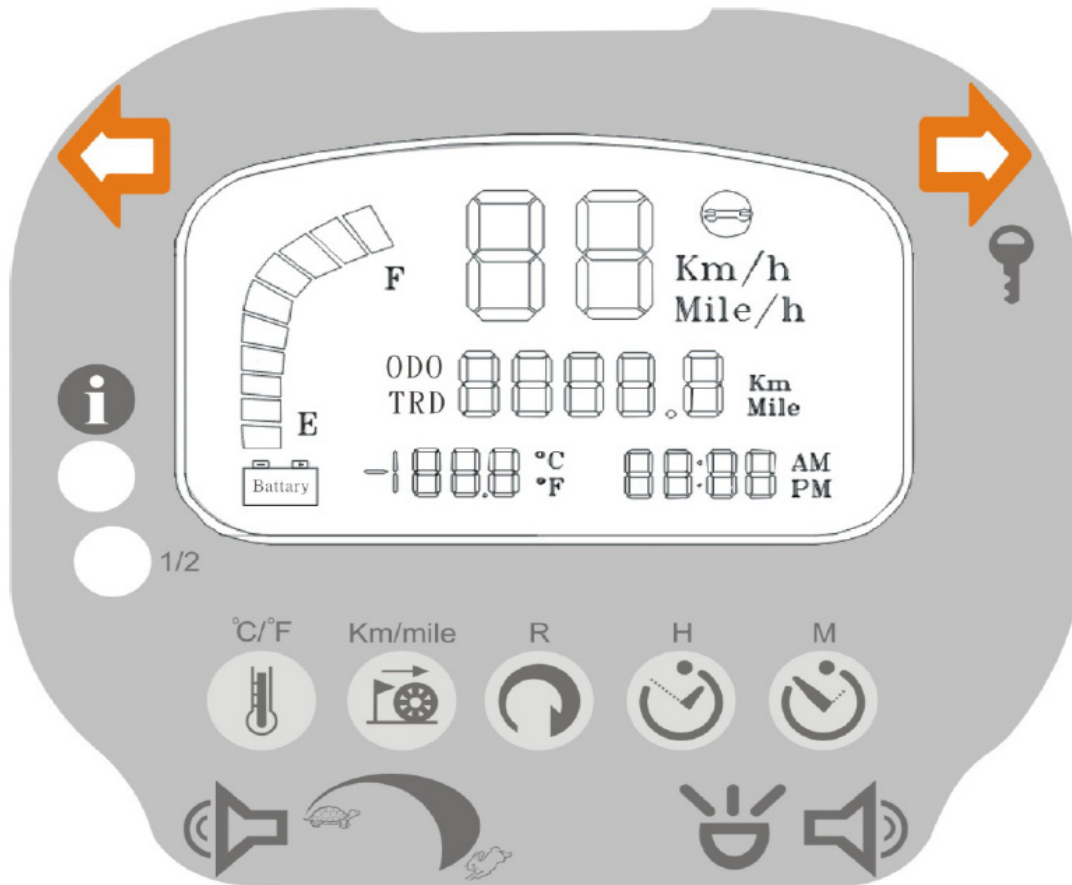


9. Tiller height adjustable:



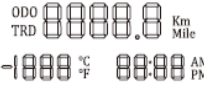




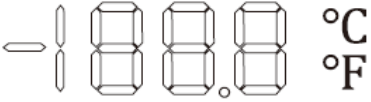
10.Control Features:


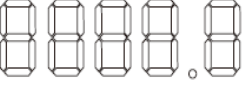


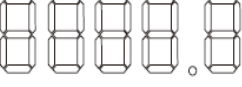


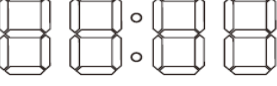


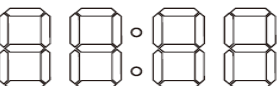






Your controls are located on the handlebar console they are:

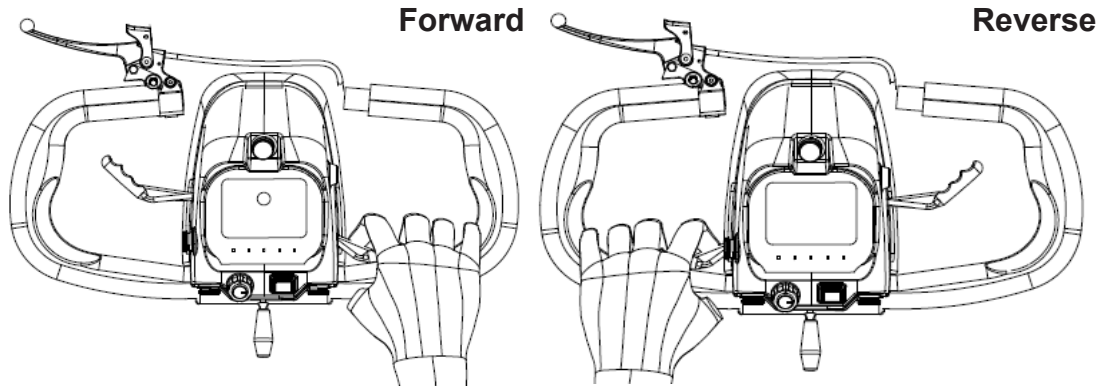


11.LCD Control Console:

	Sign	Function	Description
1		On-Off Power Switch	Will activate controller system and control panel
2		Batteries condition indicator	Bars will illuminate to show the level of charge in your batteries
3		Distance/Temperature /Time indicator	Will illuminate when power on and they also exhibit in different value
4		Direction indicator	Will illuminate when the direction switch is activated press to terminate.
5		Status light	The green light will illuminate at a constant rate when key switch on and will flash for identify faults
6		Half speed indicator	Will illuminate when the half switch is activated
7			Switch between Centigrade and Fahrenheit I. Short press for switching between Centigrade and Fahrenheit.

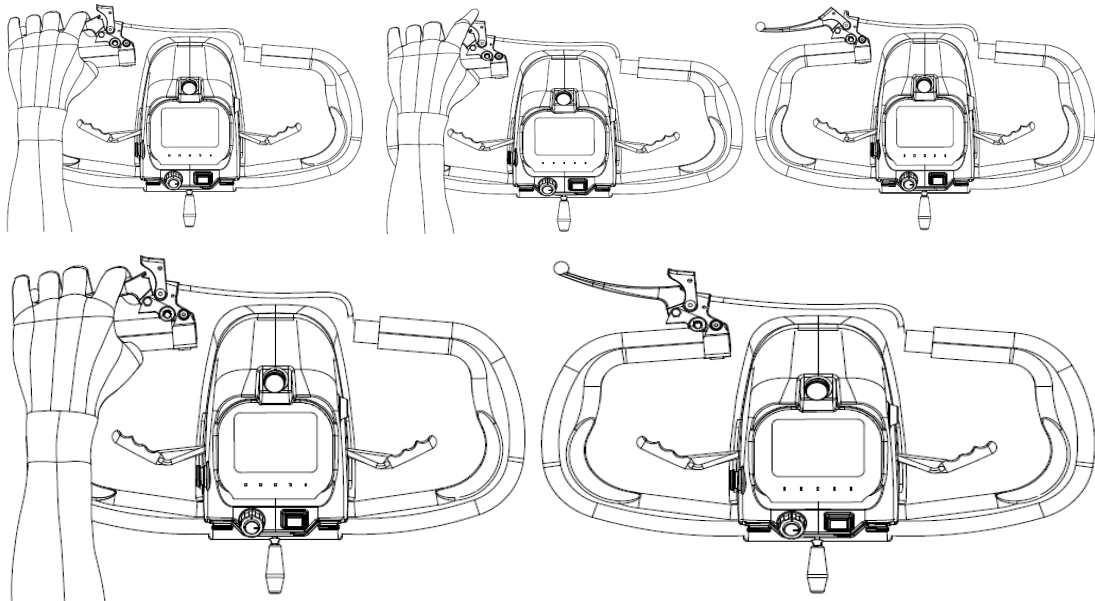
	Sign	Function	Description
8		ODO  Km TRD  Mile	Switch between Km and Miles 1. Short press for switching between kilometer and mile. 2. Program Setting Mode for Speed and Loadstone setting, please contact your authorized dealer for adjustment.
9		ODO  Km TRD  Mile	Reset the distance(range) 1. Short press to switch between ODO/TRIP. 2. Press sustained to reset TRIP. ODO = Odometer = Total distance TRD = Trip distance
10		 AM  PM	Hour setting 1. Short press to increase hours value. 2. Press sustained H to increase hour value sustainability. 3. Will return normal (drive) mode after 3 sec. without setting.
11		 AM  PM	Minute setting 1. Short press to decrease minute value. 2. Press sustained M to decrease minute value sustainability. 3. Will return normal (drive) mode after 3 sec. without setting.
12		Left and right horn button	Press to sound a warning to other road users.
13		Speed Adjustment Dial	Allow to pre-select your desired top speed.
14		Front/Rear light switch	Simply push on and off to Front and rear light

12. Forward, Reverse Control Lever (Wig wag):



Your speed for forward and reverse motion and braking is controlled here. The right thumb lever moves your Scooter in a forwards direction and also controls the rate of speed by the proportional amount of pressure applied. The left thumb lever moves the Scooter in a reverse direction and controls the rate of speed by the pressure applied. The lever when released will return itself to the neutral position, and you will gently stop. You will note that you can obtain the reverse of this procedure by pulling the levers backwards with your thumb.

13. Emergency Brake:



Emergency brake lever located on your steering handlebars, It will operate two brake mechanisms in two front wheels in the meantime when you grab the brake lever. Brake force can be adjusted by tightening the screw beside brake drums.



FREEWHEELING YOUR SCOOTER

If for reasons of convenience, or you require to push your Scooter for a short distance, the drive system can be put into 'freewheel mode'. This will allow your Scooter to roll freely.

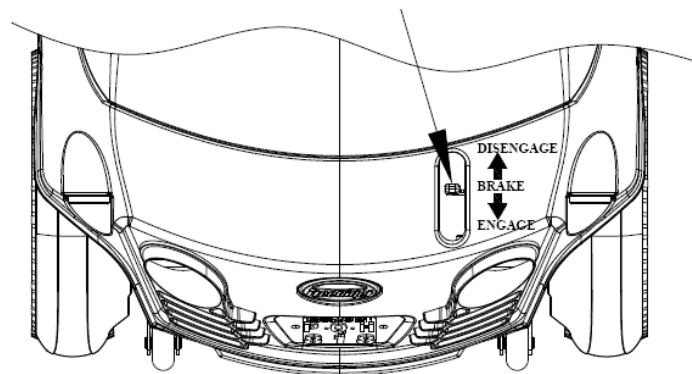
1. Freewheel Procedure:

The freewheel device is a red lever located at the rear right hand side of your scooter.

To freewheel your scooter first switch off the power switch located on the scooter's control console.

Pull up the disengage lever until a distinct click is felt. You can now push your scooter with ease.

Please note, in this mode with the power switch in the off position, the braking safety system is automatically activated when the Scooter is pushed quicker than walking speed, this is an automatic 'run away' safety checking system, it also reduces the risk of casual theft. Safety instructions and warnings



SAFETY INSTRUCTIONS & WARNING

ELECTROMAGNETIC AND RADIO FREQUENCY INTERFERENCE (EMI/RFI)

Electromagnetic and radio Frequency Interference can come from mobile phone, radio transmitters etc. In some cases, these waves can cause damage to control system. Your scooter has an immunity to EMI, the higher the immunity level, the greater the protection against EMI.

Your scooter has been tested and passed at an immunity level of 20 V/M.

Warning: Additional of accessories or components to your scooter can increase the susceptibility to EMI. Do not modify scooter in any way not authorized.

1. Safety Check:

We recommend that you perform a safety check before each use to make certain your Scooter operates smoothly and safely.

- a. Check type inflation, maintain at 35 p.s.i.
- b. Check all battery connections, make certain they are serviceable and not corroded.
- c. Check front basket is fitted correctly.
- d. Check batteries have been fully charged.
- e. Check operation of brakes.

Warning: Do not carry passengers on your Scooter. Your Scooter is designed for a single occupant which complies with legal requirements for pavement vehicles. Carrying passengers on your Scooter may result in personal injury and/or property damage.

We will not be held responsible for injuries and/or property damage resulting from failure to observe these weight limitations. Please also remember when carrying heavy objects that this will increase your total weight and may make your Scooter unstable.

2. Inclines:

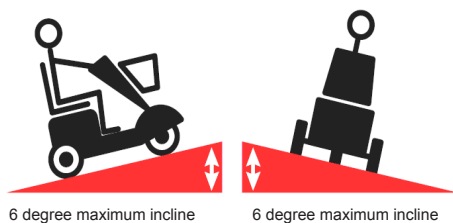
More and more modern buildings are designed with disability access in mind.

Ramps have specified percentage of inclination, designed for easy and safe access. Some ramps may have turning switchbacks (180 degree turns) that require you to have good cornering skills on your Scooter.

- a. Take a wide arc with your Scooter's front wheel around tight corners, your rear wheels will follow preventing you from cutting the corner short and bumping or getting hung up on raised curbs.
- b. When descending an incline keep your speed adjustment set to the slowest speed setting to ensure a safely controlled descent and driving in a forward direction only. If your Scooter descent is quicker than you anticipated allow the Scooter to completely stop, then progress at a slower speed setting.

Warning: Never drive down an incline at full speed. When climbing an incline, try to keep your Scooter moving, if you must stop, start up again slowly and then accelerate smoothly with caution. Avoid sudden stop starts, lean forward towards your handlebars to increase stability and prevent rearward tipping.

Warning: When climbing an incline, do not zig-zag or drive at an angle up the face of the incline. Drive your Scooter smoothly up the incline without stopping, this greatly reduces the possibility of a tip or fall.





SAFETY WARNING & INSTRUCTION LABELS

The following labels are positioned on your scooter, they communicate important warnings or instructions regarding the safe operation of your scooter. Please familiarize yourself with their location.



Control console



Located at front tiller cover



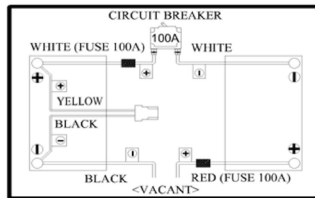
Located at front of battery cover



Located at rear top of rear cover



Located at all rims



Located under the battery

USB
2A
Head Lights
4A
Indicator Lights
4A
Charger
15A

Located inside of foot plate



Located at left side of top



Located on top of rear



Located at front



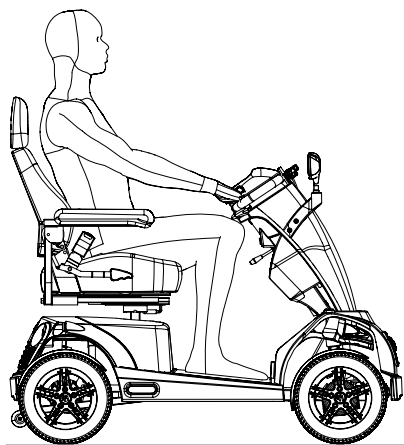
LEARNING TO GET ABOUT

1. Basic Driving:

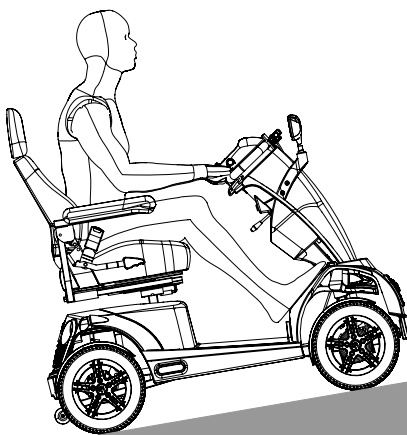
Make certain you are comfortably seated on your scooter and both armrests are down. Ensure that the “Speed Adjustment Dial” is turned to minimum for your first drive. When you have become more confident you can increase the setting to a higher speed. Push the right “Thumb Lever Control” as described earlier. You will very gently move forwards. Release the lever, and you will gently stop. Practice these two basic functions until you get used to them. Steering the Scooter is easy and logical by turning the handle bars in the direction you wish to maneuver.

2. Control On An Incline:

When you approach an incline, it is best to learn forward. This moves the center of gravity of your scooter towards the front of the scooter for improved stability. When going down an incline, keep your speed slow. This will keep you in a safely controlled descent. It is best to learn backwards, this moves the centre of gravity of your Scooter towards the rear of the scooter for improved stability. If you wish to stop completely, release the control lever, and you will come to a gentle stop, avoid sudden stop starts.



Normal driving position



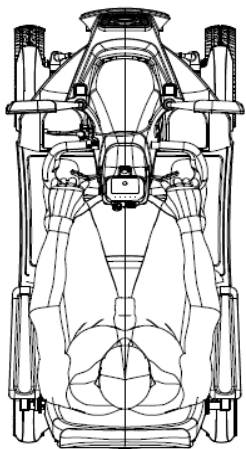
Increased Stability driving position

CONTROL OVER STATIONARY OBSTACLES

Stationery obstacle (steps, curbs etc.) must be avoided where possible. Proceed with extreme caution when driving near raise surfaces, unprotected ledges and/or drop offs such as curbs, porches, stairs etc.

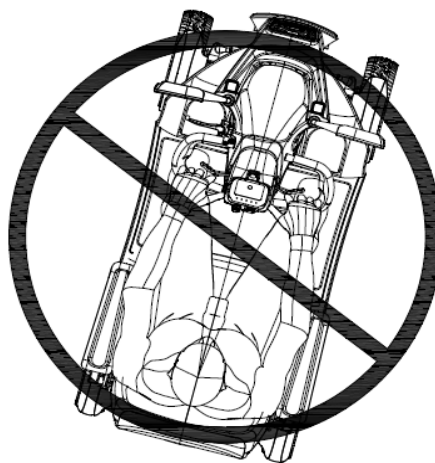
Most new pavements have wheelchair access ramps at intersections, use these at all times. Plan your route where possible to avoid poor and uneven surfaces. Do not attempt to ride up or down curbs as you may ground your scooter and damage it's construction.

CURB



Correct

CURB



Incorrect

BATTERIES AND BATTERY CHARGING

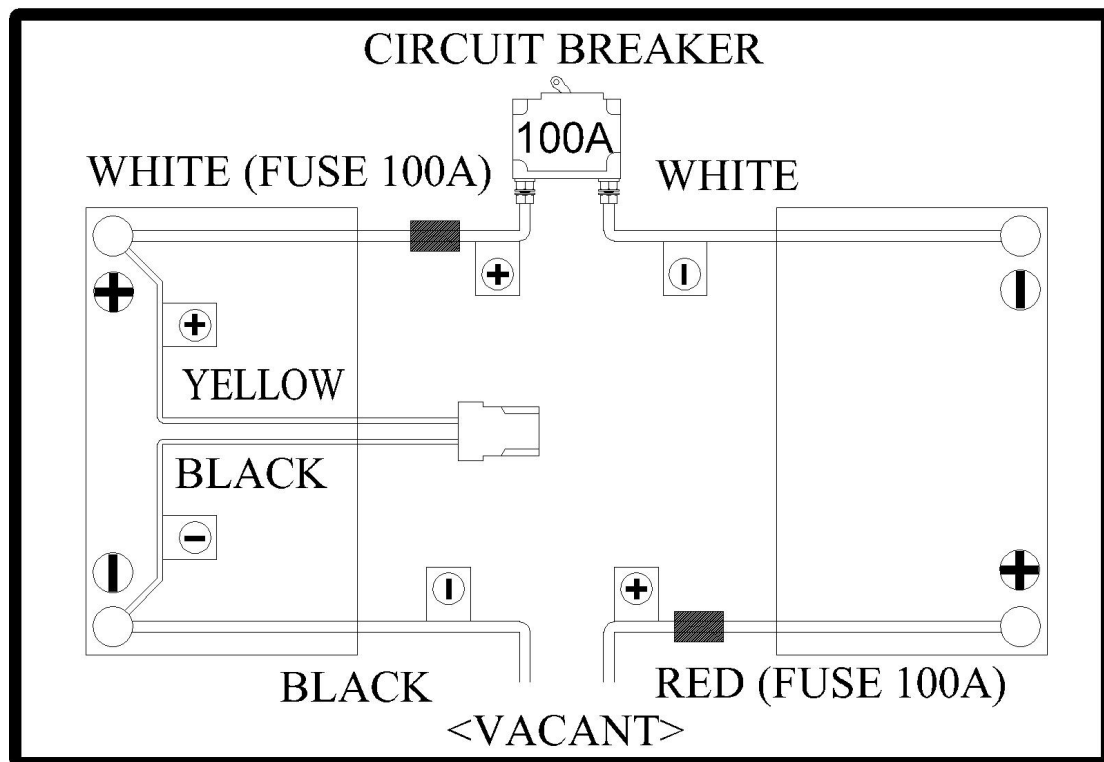
1. Battery Installation:

Your Scooter is equipped with two maintenance free 12 volt 75Ah batteries. The batteries are linked together by wiring cables to supply the electronic system with 24 volts of power.

Warning: It is imperative that the two batteries are connected correctly to prevent a short circuit between the two batteries. When first installing the batteries follow these assembly instructions.

- (1) Connect the labeled positive (+) wire to the positive (+) terminal of the battery, with the screw, nut and washer provided.
- (2) Connect the labeled negative (-) wire to the negative (-) terminal of the battery, with the screw, nut and washer provided.
- (3) Repeat this procedure on the second battery making certain the plastic red/black terminal covers are secured over each terminal.
- (4) Sit on the seat and switch on your scooter, the battery meter will now move to show the state of charge in the batteries and your Scooter is ready to drive.

Batteries circuit diagram

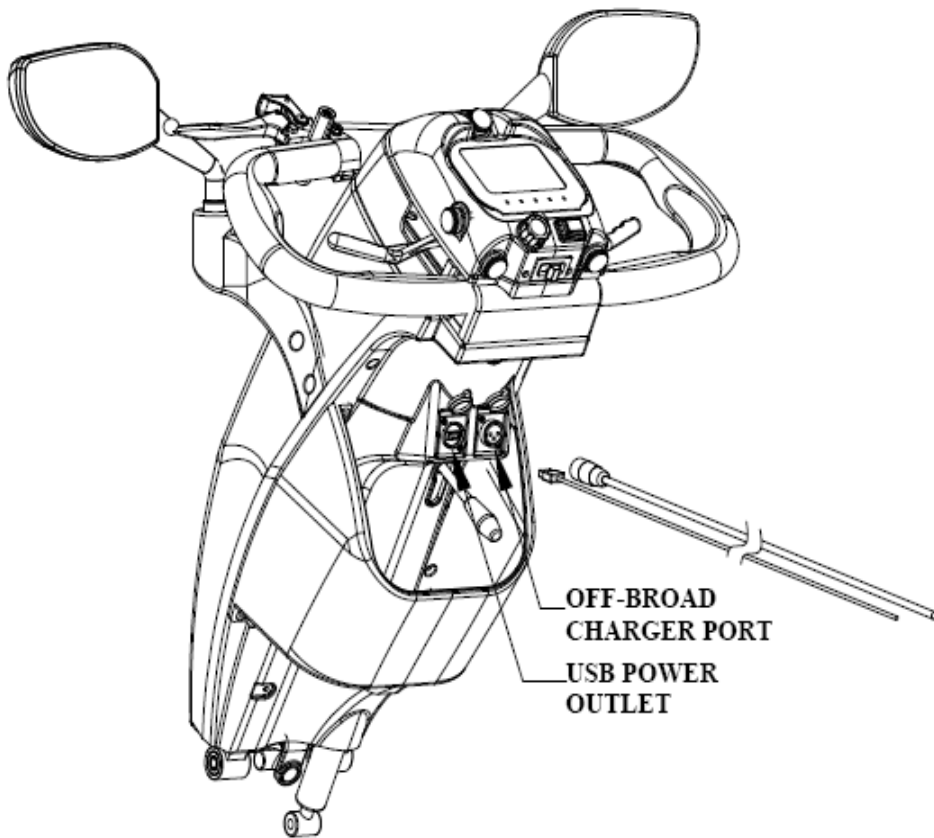


2. Battery Charging:

Your Scooter has a lot of power. To ensure it works to its full potential you must maintain both batteries on full charge. Nightly recharging, after use, will help you to give them a longer life and will ensure your Scooter is always ready to go when you are. Only use the charger supplied with your scooter; other makes of charger may permanently damage your batteries and would invalidate the Guarantee.

3. USB Power Outlet:

The USB 5V/1A power outlet will allow you to charge you a small electronic device such as cell phone or any other devices which is suitable for the electric specifications.





BASIC FAULT FINDING

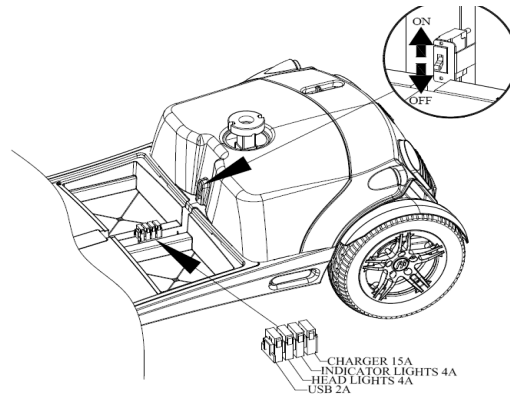
If your Scooter will not start:

- (1) Check the power key switch is turned 'on'. If it is, the battery condition indicator meter will be operating. If the green status light on your console is flashing once per second, charge your batteries.

If the battery condition meter and the green status light fail to operate when the key switch is in the 'on' position, check the following:

- (2) Make sure the battery charger is not plugged into the tiller charge socket, this will prevent drive.
- (3) Check both battery connectors. Check battery terminal condition.
- (4) Check the 'circuit breaker'

If your Scooter stops for no apparent reason, it is probably due to the circuit breaker disconnecting from the speed control electronic box.



On rare occasions, a temporary overload on the electric circuit can occur – for instance when climbing a steep incline. If this happens, reset the circuit breaker, wait for two minutes to allow the temperature activated switch to cool down. Locate the plunger on the circuit breaker through the access hole. Place a finger onto the circuit breaker and press down on the plunger until it remains down. You are now ready to drive again. If the circuit breaker trips up again wait for 5 minutes and try again.

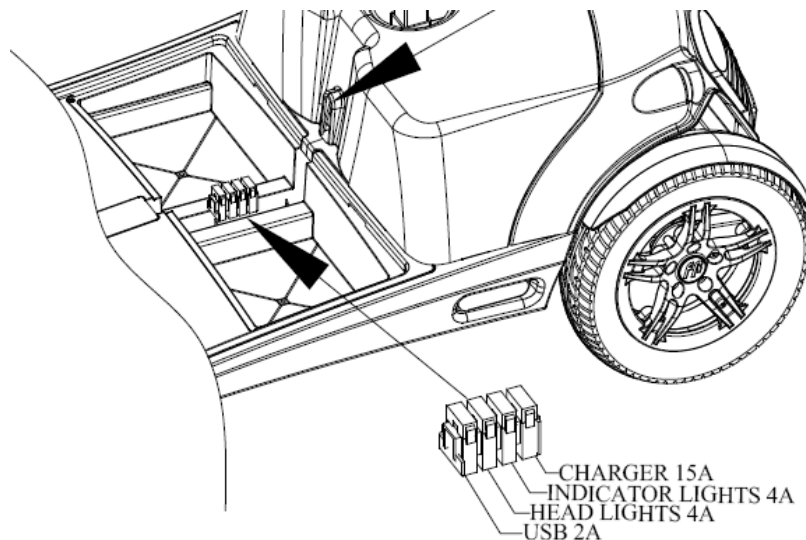
1.Fault Diagnosis:

Faults with the main speed controller are rare. Most faults on powered vehicles are associated with wiring or misconnections due to poor maintenance or incorrect installation of connectors when assembling the Scooter after transportation in a car. If your Scooter should fail to operate you will be assisted in diagnosis and locating the area of the fault by observing the number of flashes emitted from the 'green' status light on your control console.

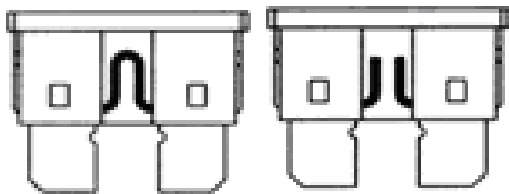
2.Charging Circuit Fuse:

One fuse protects your Scooter charging circuit from receiving an overload of electrical current. The fuse used in the Scooter is the same type which is found on automobiles. In the unlikely event that a fuse should 'blow' and needs replacing. use only a fuse of a 15amp rating. Please note this size of fuse has been selected to give your Scooter the best protection without premature fusing.

Warning: Do not use fuses with a higher rating than 15amps as this may cause permanent failure to the wiring and wiring connectors or personal injury. For access to a fuse remove the four screws located in the rear body cover, lift cover. Locate and lift the fuse block on it's wire, lift up the fuse lid and withdraw the 'read' fuse. Replace the blown fuse with recommended 15 amp (pink) fuse, close fuse lid and replace fuse block.



use only a fuse of a 15amp rating. Please note this size of fuse has been selected to give your Scooter the best protection without premature fusing.



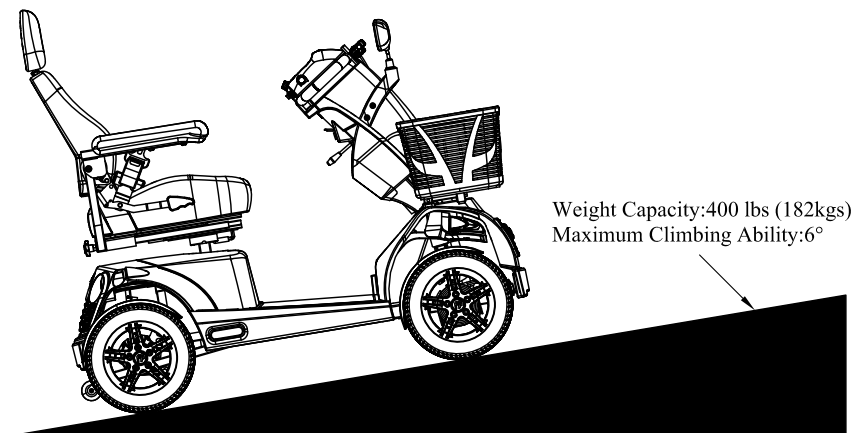
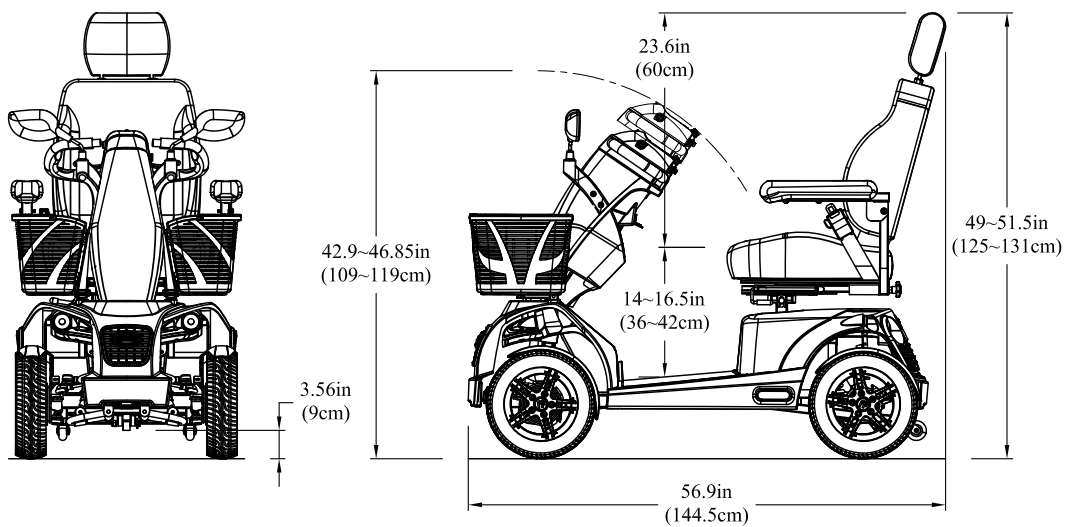
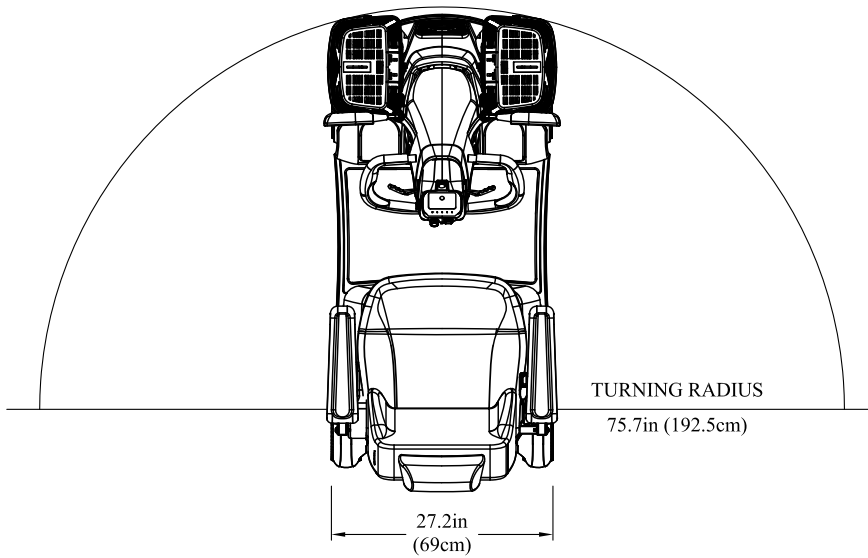
3.Status Fault Codes:

Flash	Description	Meaning
1	Battery Low	The batteries are running low. Recharge the batteries
2	Low Battery Fault	The batteries have run out of charge. Recharge the batteries. Check the battery and associated connections and wiring.
<p>Note: The low battery fault flash code,described above, is a requirement of various safety standards. The scooter will output a visible and audible low battery warning if the battery voltage drops below 90% of its cut-off voltage. The warning will be two short flashes, and will take priority over all other flash codes in the system.</p>		
3	High Battery Fault	Battery voltage is too high. This may occur if overcharged &/ or travelling down a long slope. If travelling down a slope, reduce your speed to mini mize the amount of regenerative charging.
4	Current Limit Time-out or Controller too hot	The motor has been exceeding its maximum current rating for too long. The scooter may have stalled. Turn the controller off, leave for a few minutes and turn back on again. The motor may be faulty. Check the motor and associated connections and wiring.
5	Park Brake Fault	Either a park brake release switch is active or the park brake is faulty. Check the park brake and associated connections and wiring. Ensure any associated switches are in their correct positions.
6	Drive Inhibit	Either a stop function is active or a charger Inhibit or OONAPU condition has occurred. Release the stop condition(seat raised etc.) Disconnect the battery charger Ensure the throttle is in neutral when turning the controller on. The throttle may require re-calibration.
7	Speed pot Fault	The throttle, speed limit pot, or their associated wiring may be faulty. Check the throttle and speed pot and associated connections and wiring.
8	Motor Voltage Fault	The motor or its associated wiring is faulty. Check the motor and associated connections and wiring.
9	Other error	The controller may have an internal fault. Check the motor and associated connections and wiring.



TECHNICAL SPECIFICATION

Model Number	FR1
Maximum Safe Slope	6 degree
Maximum Climbing Ability	6 degree
Maximum Obstacle Climbing Ability	2.36 in.(60 mm)
Colors	Metallic Gray / Metallic Orange
Overall Length	56.9 in.(144.5 cm)
Overall Width	27.2 in.(69 cm)
Total Weight with Batteries	366 lbs(166.4 kgs)
Front Axle Weight	99.2 lbs(45 kgs)
Rear Axle Weight	150 lbs(68 kgs)
Total Weight Without Batteries	251.6 lbs(114.4 kgs)
Battery Weight 75Ah	26 kgs (57 lbs.) each
Turning Radius	75.5 in.(192 cm)
Reversing width-tiller steering	88.98 in.(226 cm)
Speed (Maximum)	8.1mph(13kph) 9.4mph(15kph) 10.6mph(17kph)
Range Per Charge	36 miles / 58 km(90 kgs) ; 30 miles / 48 km(182 kgs) 41 miles / 65 km(90 kgs) ; 36 miles / 58 km(182 kgs) 38 miles / 61 km(90 kgs) ; 32 miles / 51 km(182 kgs)
Ground Clearance	3.56 in.(9 cm)
Weight Capacity	400 lbs(182 kgs)
Standard Seating	Type: Foldable Weight(w/armrests): 37.4 lbs(17 kgs) Material: Black Dimensions: 17 in.(43 cm) width & depth
Drive System	Rear-wheel drive, sealed transaxle,24 volt DC motor
Suspension	front and rear shock absorber
Dual Braking System	Electronic, regenerative, and electromechanical
Tyres	Type: pneumatic Front and rear: 13 inches
Battery Requirements	Type: two 12 volt, deep cycle, AGM or Gel-cell Size: 75 AH
Battery Charger	8-amp charger





CLASSIFICATION

Type 'B' indoor / with some outdoor capabilities (EN12184:1999) Class 2 (Highway Regulations 1988).

Maximum safe climbing angle: 6 degrees with 400 lbs weight capacity (182 kg).

Warning: The safe climbing angle is measured with the seat in the highest position, and a weight capacity of 400lbs (182 kg). The motor on your scooter is powerful and may be able to climb a steeper incline than the maximum safe climbing angle. Exceeding the safe climbing angle may put you at risk of injury. On no account must you attempt to climb an incline of more than 6 degrees. This will exceed the rear stability of your scooter.

Maximum speed: Up to 8 mph (13 km/h) [+/-10%] dependent on weight and manufacturing tolerances.

Range: Up to 30 miles (48.2 km) between charges under ideal conditions.

Note: Range varies with weight, terrain, temperature, battery condition etc. and is subject to manufacturing tolerances. Your battery will require a period of "breaking in" before they will reach their optimum capacity (up to 20 charge, discharge cycles can be expected) before full range is experienced. Refer to the battery charging section of this manual.

Tire Size: Front 13 inch, Rear 13 inch. pneumatic.

Batteries: Lead Acid battery 75AH

Charger: AC input. 100-240 volt, 50/60Hz,
DC output 24 volt. 8 Amp for Lead Acid battery
Conforms to: EN60335-2-29 and EN12184
EN12184:1999 (Clause 9.8)
EN55022:2010, Class B
IEC61000-4-2/ IEC61000-4-3

Radiated Radio Frequency Electromagnetic (RS): Field strength tested to 20V/m compliance.

Electrical System: 24 volt DC

Drive system: Rear wheel, direct drive via sealed drive axle

Motor: 24 volt DC. Permanent magnet totally enclosed for outdoor use. Internal brushes. 3.0 Amp (no load) 70 W. 4100 RPM

Brake: Automatic dynamic regenerating braking system with spring activated magnetic solenoid parking brake and freewheel facility.

Tiller: Adjustable locking for driving comfort.

Speed Control: Proportional state of the art design for safety and smooth operation incorporated with 'Fault' diagnosis.



Seat: Contoured adjustable seat with height adjustment. Armrest with Multiple width adjustments.

Charge Socket: Located on the rear tiller cover. (Complies with EMC Directive 89/336/EEC and with Medical Devices Directives 93/42/EEC.)

OPTIONAL ACCESSORIES

For information regarding these optional accessories please contact your Authorised Freerider Agent.

Combined Basket,Stick/Crutch Holder

		Combining the usefulness of the rear basket and the stick/crutch holder.
---	---	--

Stick/Umbrella Holder

		Ideal way to carry walking aids.
---	---	----------------------------------

Oxygen Holder



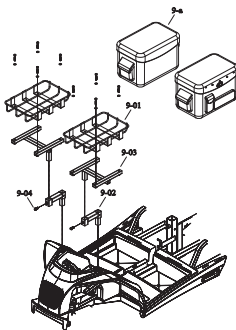
Conveniently fits over the seat back rest, designed to accept a standard mobile N.H.S. issue oxygen bottle.

Saddle (SEAT) Bag



Looking for somewhere to store rainproof hats, scarves and gloves, just in case you get caught out in a shower? Use the saddle storage bag.

Accessory Bracket



1. Bracket:PM90-0104
2. Accessory bracket: PM90-0201
3. Bracket frame:PM90-0203
4. Saddle bag: PP90-1000



GUARANTEE TERMS

Please keep a note of your serial No....



Your Scooter is guaranteed for 12 months from the date of purchase against faults arising due to defects in manufacture or materials. This guarantee does not detract from, but is in addition to your legal rights. Parts replaced or repaired under the terms of this guarantee will be covered for the balance of the 12 months period. This guarantee applies only to parts supplied or approved by authorized distributor. This guarantee is not transferable.

Note: Extended guarantee insurance can be arranged by your Distributor, he will be able to advise the extra cost of this cover.

METAL WORK: Metal components, such as the framework and bright metal parts require special attention and may deteriorate in certain conditions. Moisture and salt may corrode parts left unattended, proprietary auto cleaner polishes should be used to Prevent long term damage. Failure to clean and protect these components may void your warranty.

SPEED CONTROLLER: Servicing of the speed controller or battery charger must only be carried out by your local authorized distributor. Any attempt to open or dismantle these items render the guarantee void on that item.

BATTERIES: Batteries carry a limited 12 month guarantee from the original manufacturer which is subject to a stringent wear and tear clause. Any battery faults due to a defect in the original manufacture will normally become obvious within the first two months of use. Any gradual deterioration in the performance after this period is normal and associated with fair wear and tear, mis-use or accidental damage and as such is not covered by the manufacturers warranty. (Batteries are guaranteed as single parts, only the failed part is replaceable).

Warning: Do not attempt to open the battery vent plugs.



SERVICE HISTORY

This section is designed to assist you in keeping a record of any service and repairs to your **Freerider** Scooter.

Should you decide to sell or exchange your Scooter in the future this will prove most helpful to you. Your Service agent will also benefit from a documented record and this book should accompany the Scooter when service or repair work is carried out. The service agent will complete this section and return the book to you.

DETAILS OF WORK CARRIED OUT	DEALER STAMP
	<div style="display: flex; justify-content: space-between;"> DATE INITIALS </div>

DETAILS OF WORK CARRIED OUT	DEALER STAMP
	<div style="display: flex; justify-content: space-between;"> DATE INITIALS </div>

DETAILS OF WORK CARRIED OUT	DEALER STAMP
	<div style="display: flex; justify-content: space-between;"> DATE INITIALS </div>

DETAILS OF WORK CARRIED OUT	DEALER STAMP
	<div style="display: flex; justify-content: space-between;"> DATE INITIALS </div>

YOUR LOCAL DEALER

PHONE TODAY FOR FREE HOME DEMONSTRATION

freerider[®]

FREERIDER CORP

Head Quarter and Kaohsiung Facility:
No.22,Bengong 5th Rd.,Gangshan Dist.,
Kaohsiung City 820,Taiwan(R.O.C)
Tel:886-7-6223093 Fax:886-7-6230373
Email:sales @ freerider.com.tw
<http://www.freerider.com.tw>

2013.06.17 V2



PL90-2100