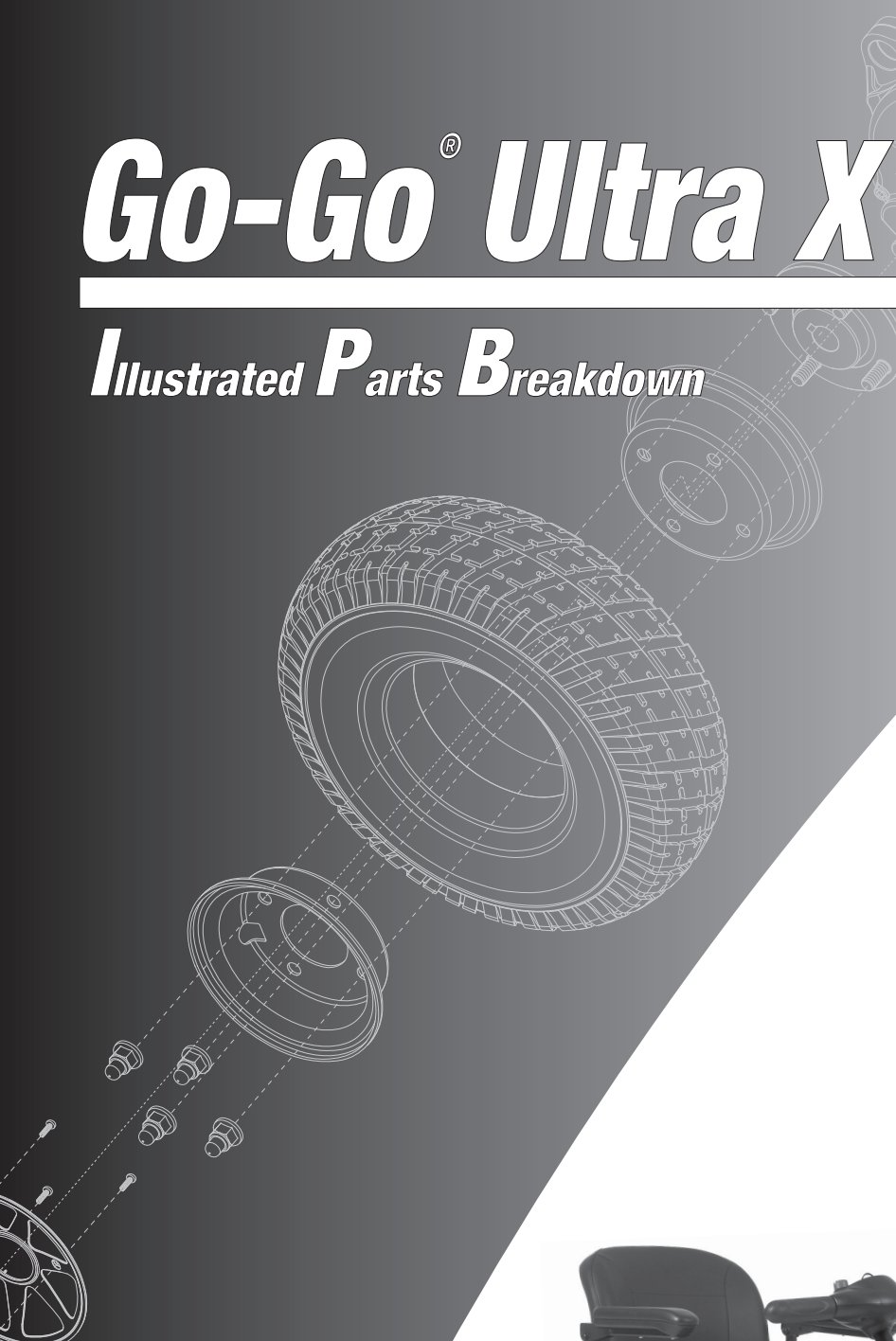


Go-Go[®] Ultra X

US

AGN# 088 609 661

Illustrated Parts Breakdown



Pride[®]

Your new Pride Illustrated Parts Breakdown (IPB) Manual has been compiled from the latest product information available at the time of publication. Pride[®] Mobility Products Corporation reserves the right to make changes and updates to this manual and to the product(s) it represents. Any changes, updates, or improvements to the product(s) may result in slight differences between this manual and the product you purchased.

An IPB is an illustrated parts listing of all product components which have maintenance significance. IPB's utilize "exploded" drawings to detail the individual components for each assembly and an itemized list of reference numbers, part numbers, descriptions, and quantities per assembly. Some parts may be included in an assembly but may not be available for purchase separately. Refer to the parts list to locate the part numbers for assemblies and components for ordering what you need.

To achieve proper identification and relationship of detail parts and next higher assemblies, parts listings are presented in a convenient alphanumeric reference system. Reference numbers for parent assemblies identify one part number that can be used to order all of the components listed within it. Components of an assembly will have the same alpha character as its parent assembly.

- For example, the parent assembly part number using reference number of A1 — A4 is the only number you need to place an order for parts with references of A1, A2, A3, and A4. Instead of ordering 4 separate parts, use the parent assembly part number to get the complete assembly.

Master assembly part numbers have reference numbers that include several subassemblies. By ordering parts using master assembly part numbers, you can save a lot of time and reduce the chance for error.

- For example, A1 — G10, a master assembly reference number, includes all components of assemblies A, B, C, D, E, F, and G. Use caution when ordering assemblies. Check to see if a master assembly part number exists for the components that you need. If an entire master assembly is not needed, then the individual assembly part number (i.e. for reference number G1 — G10) will be sufficient to use for ordering.

Asterisks (*) and NOTES are used throughout this service manual to point out important information regarding assembly structure and contents.

- For example, in some illustrations, only the left OR right side is shown. In other drawings, only the front OR back is depicted. The part numbers for ALL components are listed. An asterisk will also be used to indicate which components are not illustrated. Illustrated Items without callouts are shown for assembly purposes.

Updates to the contents of this IPB will be made on a regular basis. Providers may retrieve updates immediately upon their release by going to the Pride Service Website. The web address is www.prideprovider.com. We welcome any questions or comments regarding the new Pride IPB Manual that you may have.

Please note that all pricing that is included with this manual is subject to change without any prior notice from Pride.

Thank you for choosing products from Pride[®] Mobility Products Corporation.

SECTION I.

Frame Assembly

- Tiller, 3-Wheel 4
- Tiller, 4-Wheel 5
- Front, 3-Wheel..... 6
- Front, 4-Wheel..... 7
- 3-Wheel Fork for Black Tire with Silver Rim 8
- 3-Wheel Fork for Gray Tire with Black Rim 9
- Rear..... 10
- Seat Post and Lock-up 11

SECTION II.

Drive Assembly 12

SECTION III.

Electronics Assembly

- Console 13
- Controller, R-Series 14
- Controller, S-Drive 15
- Battery Box..... 16
- Off-board Charger 17

SECTION IV.

Shroud Assembly

- Front, 3-Wheel..... 18
- Front, 4-Wheel..... 19
- Rear..... 20

SECTION V.

Wheel Assembly

- Front, 3-Wheel 21
- Front, 4-Wheel 22
- Rear..... 23

SECTION VI.

Seat Assembly 24

SECTION VII.

Owner's Package 27

SECTION VIII.

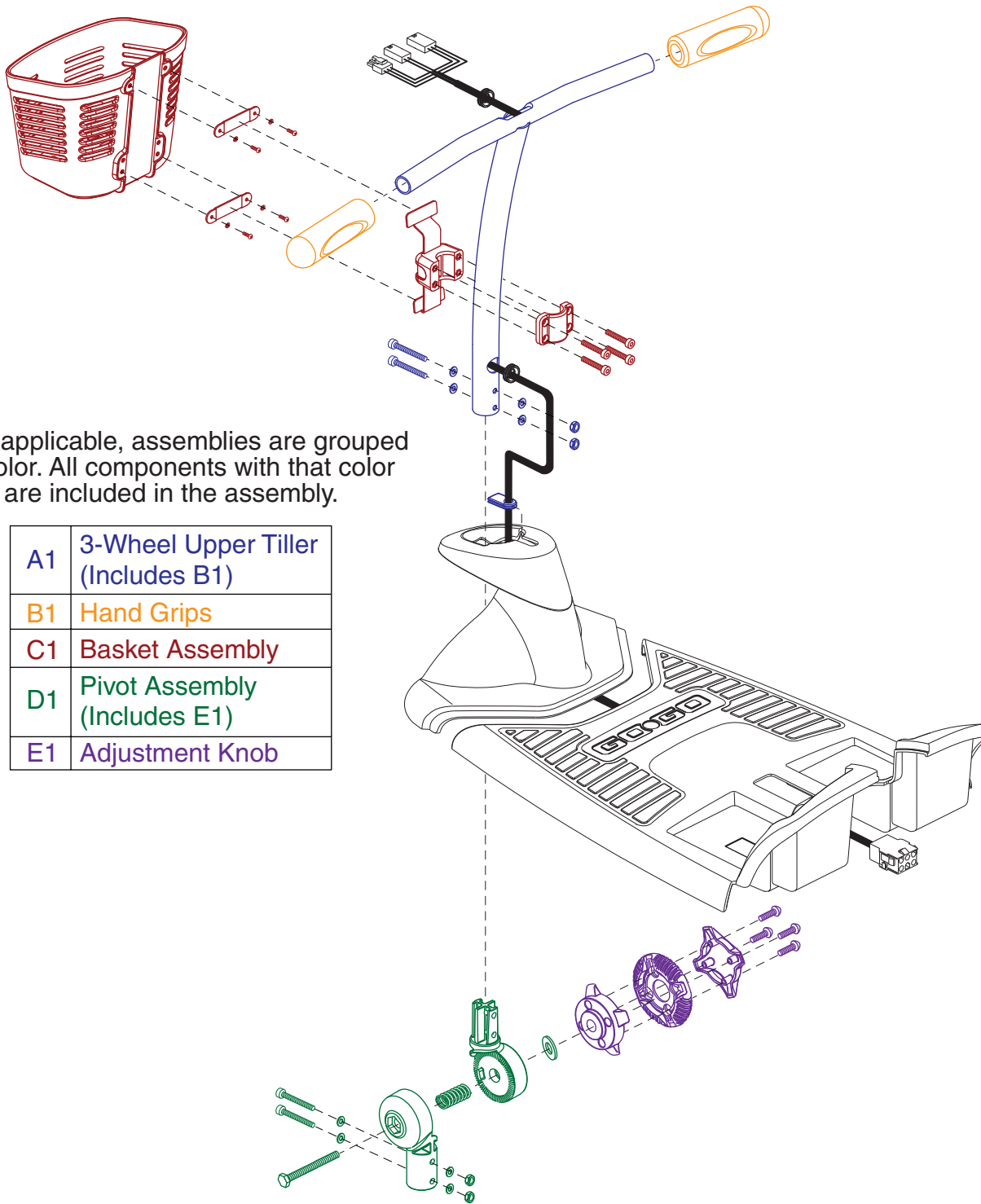
Decal Package

- 3-Wheel 28
- 4-Wheel 29

APPENDIX A.

Electrical System Diagram

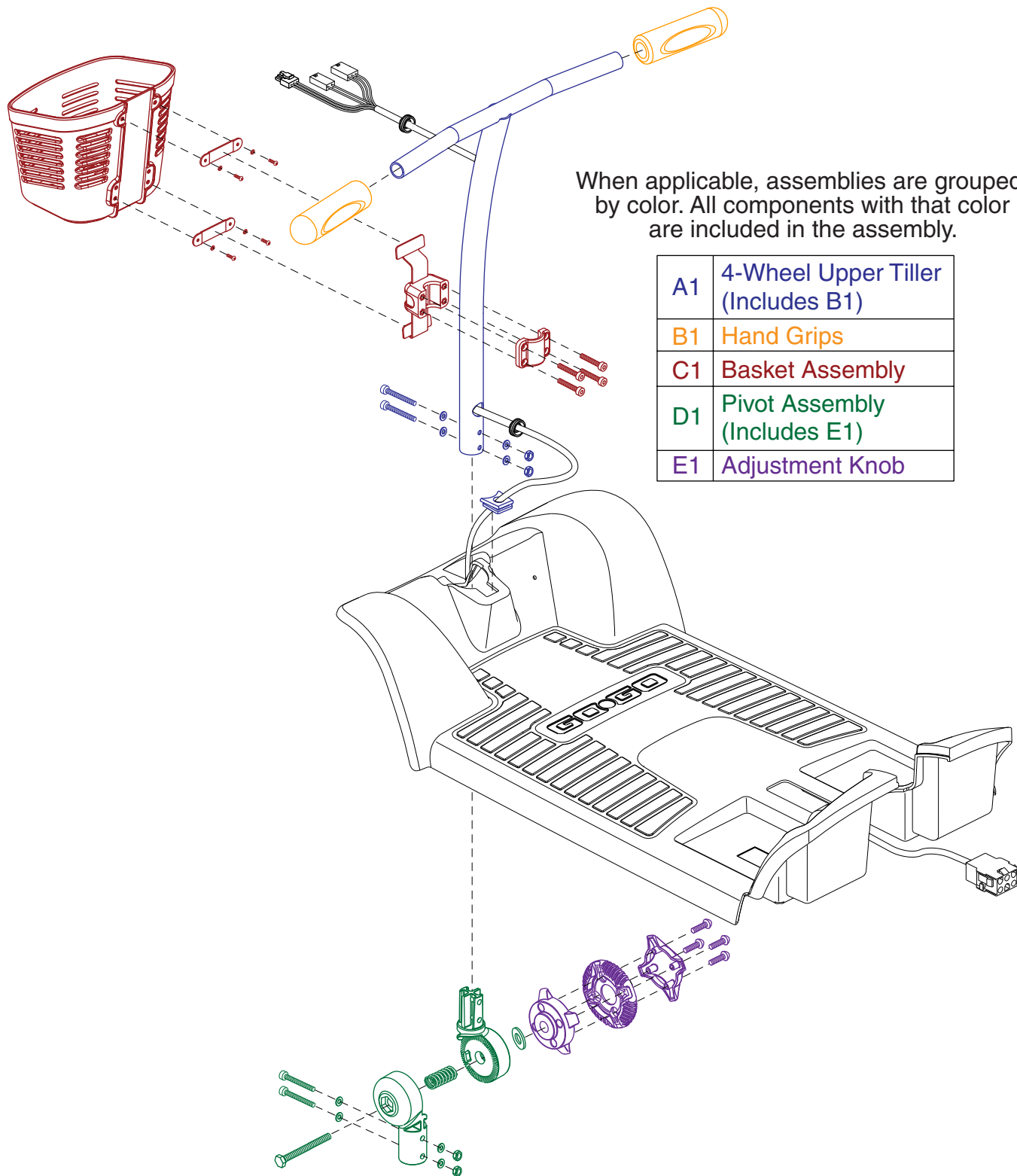
- R-Series 30
- S-Drive 31



When applicable, assemblies are grouped by color. All components with that color are included in the assembly.

A1	3-Wheel Upper Tiller (Includes B1)
B1	Hand Grips
C1	Basket Assembly
D1	Pivot Assembly (Includes E1)
E1	Adjustment Knob

REF #	PART #	DESCRIPTION	QTY	Dealer \$	11i MSRP
A1	FRMASMB9371	TILLER,ASSY,STANDARD,3 WHEEL,SC40E	1	\$7.68	\$19.57
B1	DWR9905C015	GRIP,5.25"L,HAND,BLACK,FOAM,C-9905-015	2	\$5.42	\$13.82
C1	FRMASMB13758	FRAME,BASKET,ASSY,BLACK,PLASTIC,244.8MM W X 219.1MM H X 211.7MM L	1	\$19.72	\$50.29
D1	FRMASMB9235	TILLER,ASSY,PIVOT,UPPER/LOWER,SC40E/44E	1	\$34.41	\$87.75
E1	PLSASMB1998	PLASTIC,RAW,ASSY,KNOB,TILLER ADJUST,SC40E/44E	1	\$2.29	\$5.85



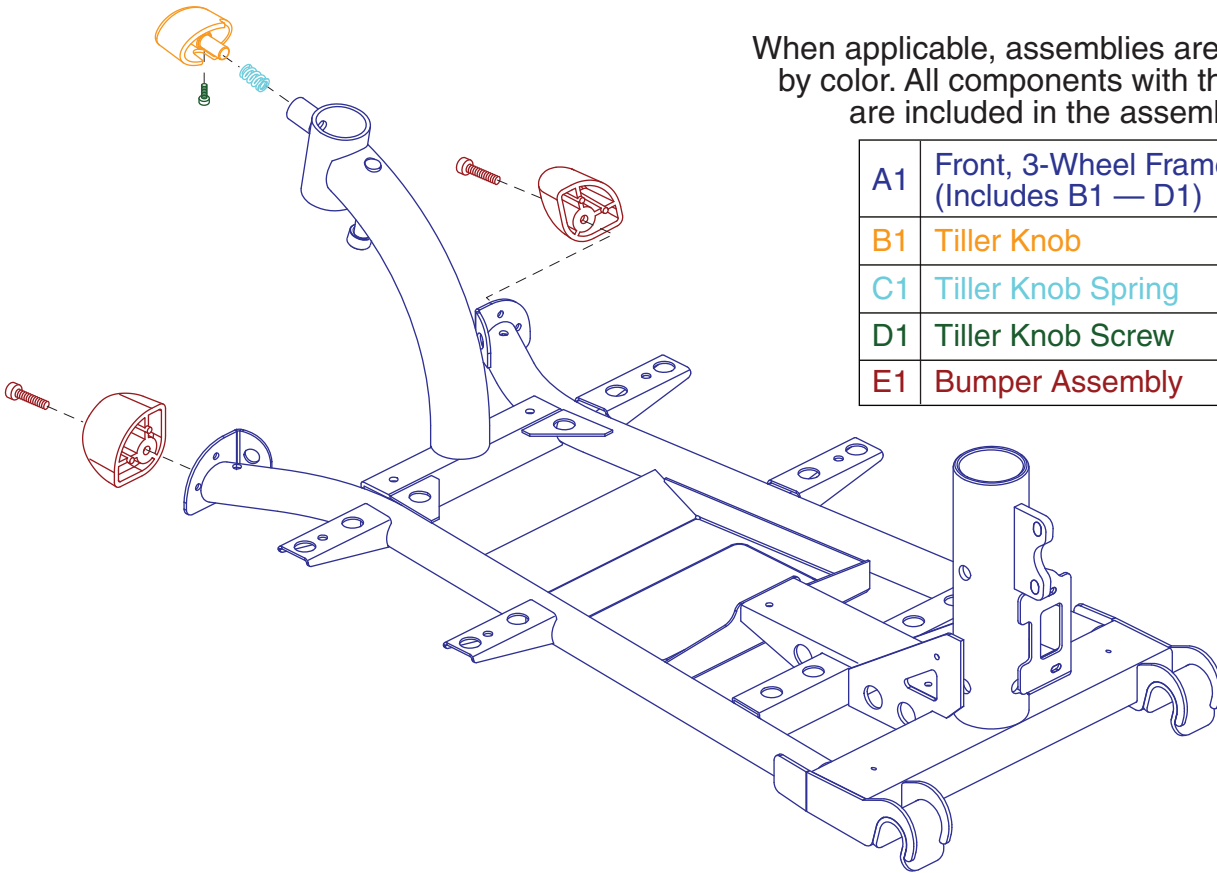
When applicable, assemblies are grouped by color. All components with that color are included in the assembly.

A1	4-Wheel Upper Tiller (Includes B1)
B1	Hand Grips
C1	Basket Assembly
D1	Pivot Assembly (Includes E1)
E1	Adjustment Knob

REF #	PART #	DESCRIPTION	QTY	Dealer \$	11i MSRP
A1	FRMASMB9234	TILLER,ASSY,STANDARD,4 WHEEL,SC44E	1	\$33.87	\$86.37
B1	DWR9905C015	GRIP,5.25"L,HAND,BLACK,FOAM,C-9905-015	2	\$5.42	\$13.82
C1	FRMASMB13758	FRAME,BASKET,ASSY,BLACK,PLASTIC,244.8MM W X 219.1MM H X 211.7MM L	1	\$19.72	\$50.29
D1	FRMASMB9235	TILLER,ASSY,PIVOT,UPPER/LOWER,SC40E/44E	1	\$34.41	\$87.75
E1	PLSASMB1998	PLASTIC,RAW,ASSY,KNOB,TILLER ADJUST,SC40E/44E	1	\$2.29	\$5.85

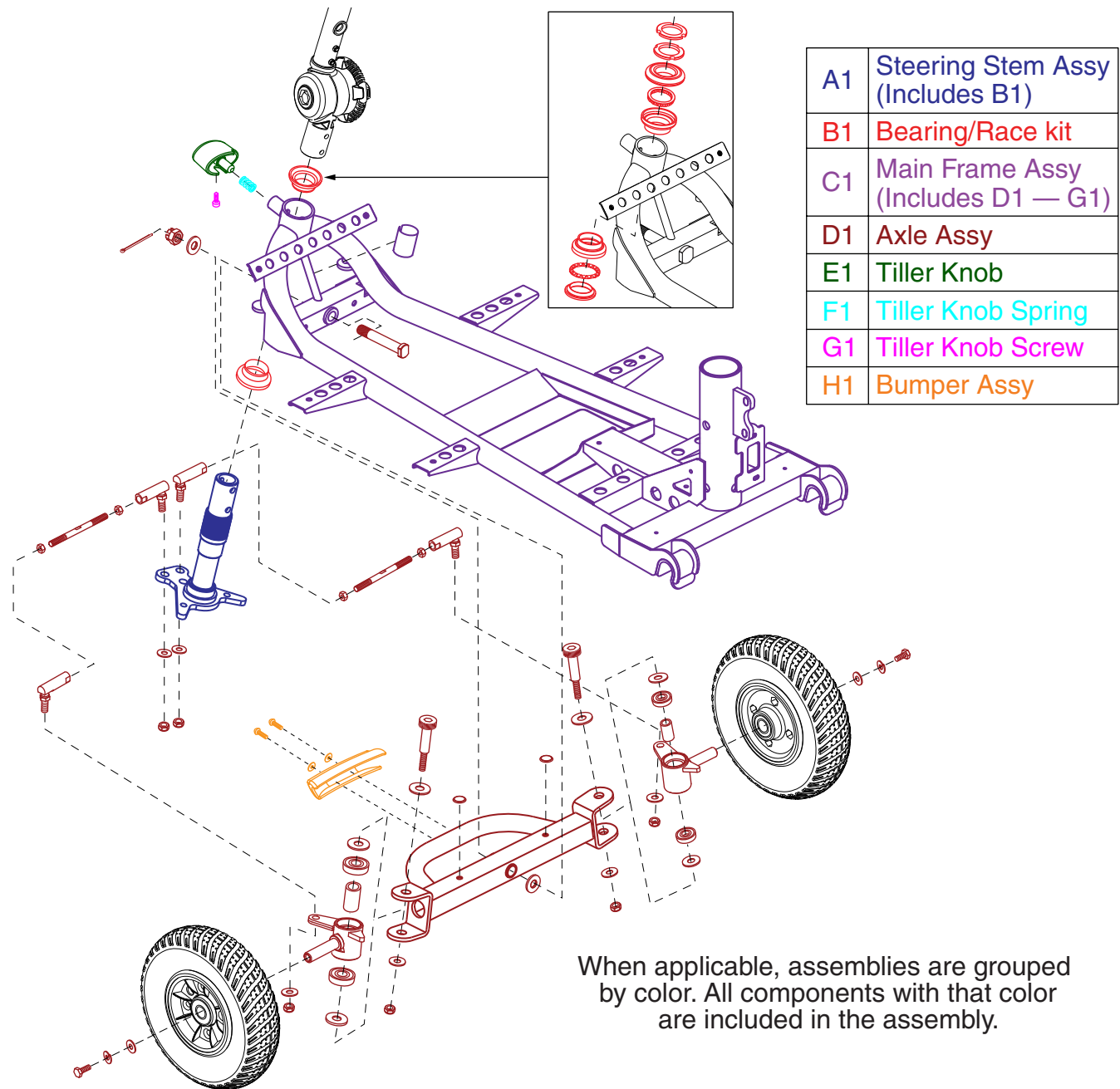
When applicable, assemblies are grouped by color. All components with that color are included in the assembly.

A1	Front, 3-Wheel Frame (Includes B1 — D1)
B1	Tiller Knob
C1	Tiller Knob Spring
D1	Tiller Knob Screw
E1	Bumper Assembly



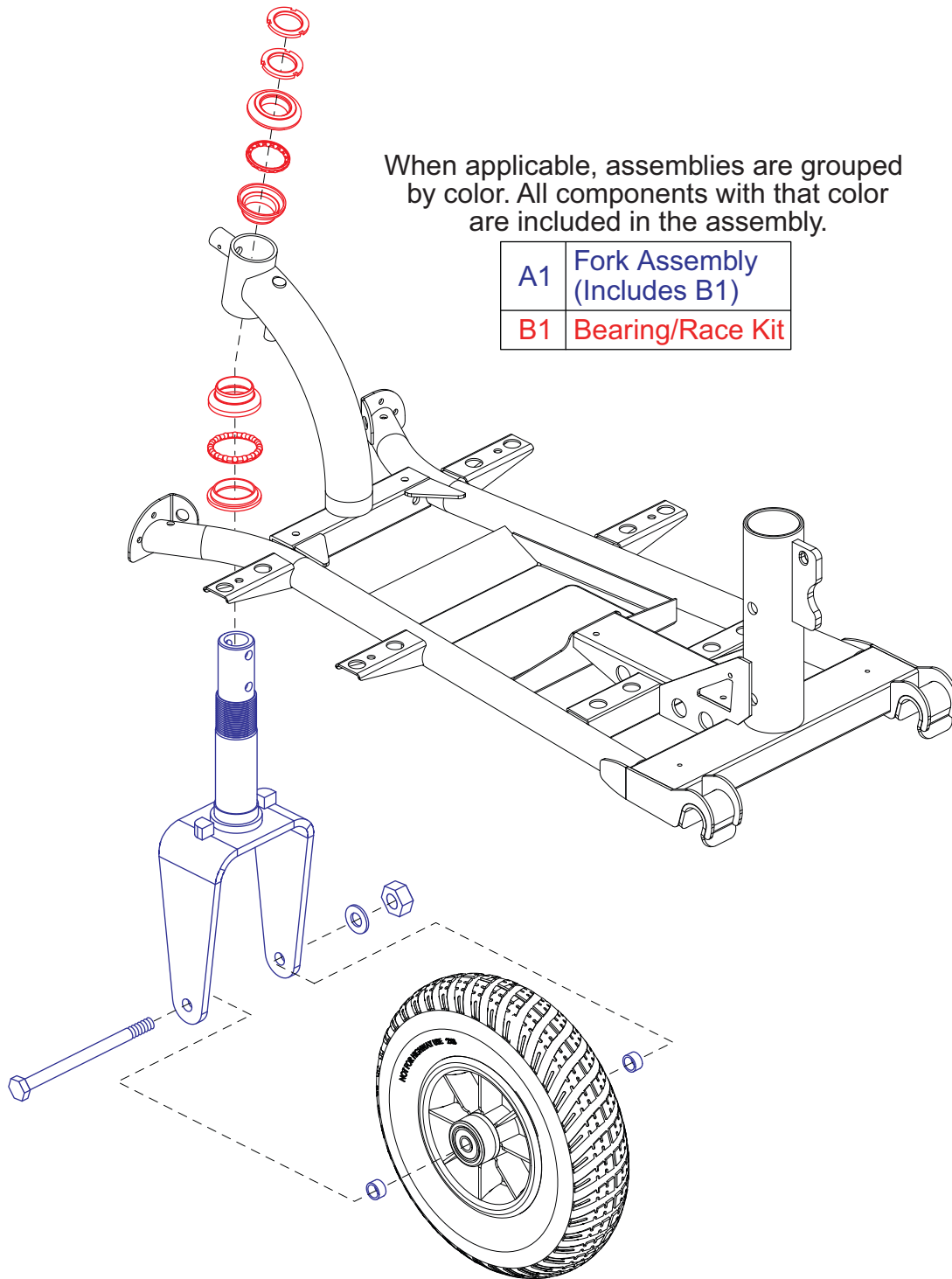
REF #	PART #	DESCRIPTION	QTY	Dealer \$	MSRP	11i
A1	FRMASMB9373	FRAME,ASSY,FRONT,3 WHEEL,SC40E	1	\$25.27	\$64.44	
B1	DWR9983C044	TILLER,KNOB,LOCK,ABS,SC40E/44E,C-9983-044	1	\$1.27	\$3.24	
C1	SPGRAW1064	SPRING,15.5MM FL X 0.90MM WIRE DIA X 10.80MM OD X RATE: 2.46N/MM,(LEE SPRING: LCM-090F-3),B-9983-044	1	\$2.72	\$6.94	
D1	SCRSHCS1127	SCREW,SHCS,BLACK ZINC,M4-.7 X 10MM,GRADE 8	1	\$1.16	\$2.96	
E1	FRMASMB9374	BUMPER,ASSY,FRONT,BLACK,SC40E	1	\$1.16	\$2.95	

I. Frame Assembly — Front, 4-Wheel

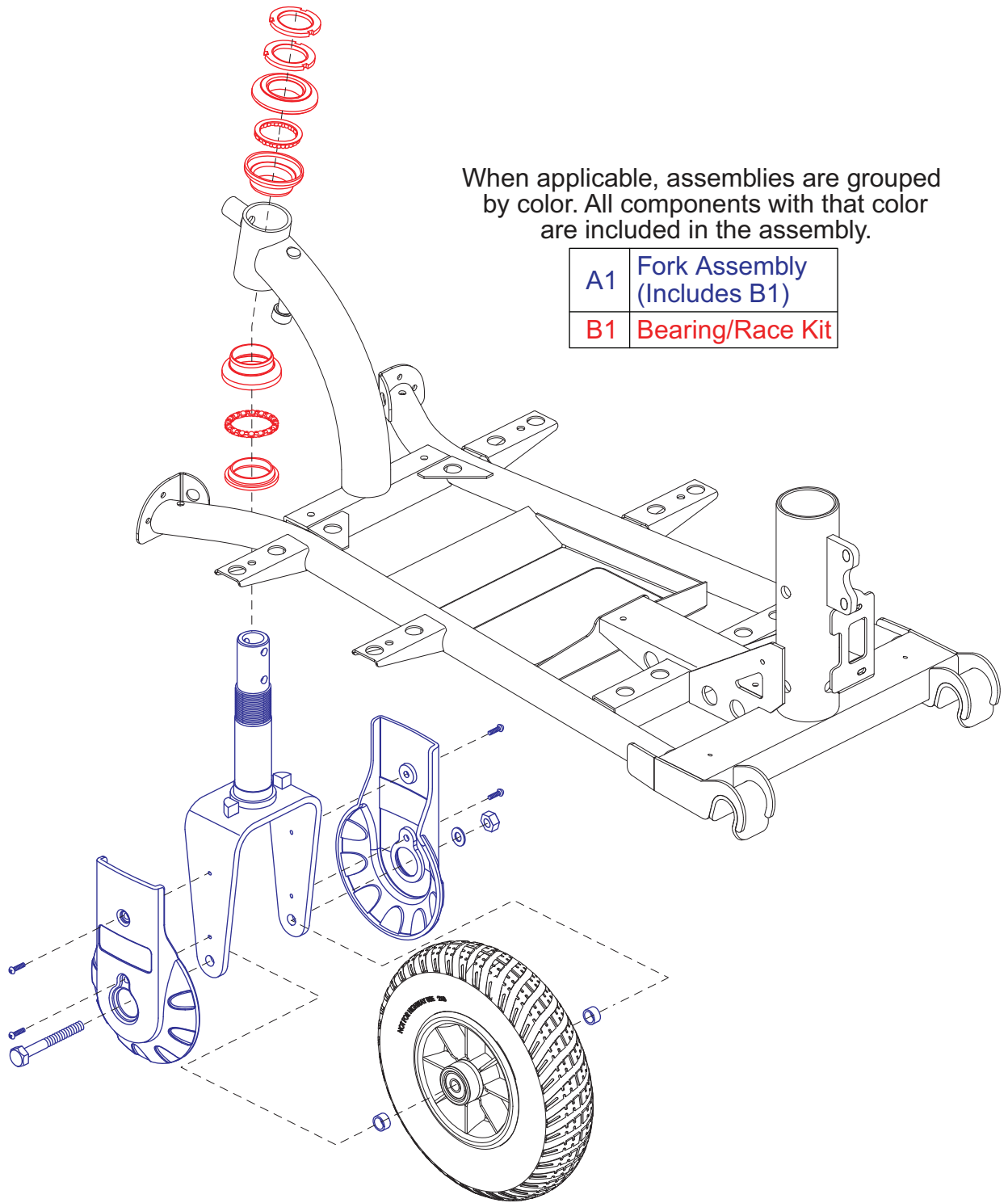


When applicable, assemblies are grouped by color. All components with that color are included in the assembly.

REF #	PART #	DESCRIPTION	QTY	Dealer \$	MSRP	11i
A1	FRMASMB9238	STEERING STEM,ASSY,4 WHEEL,SC44E	1	\$7.14	\$18.22	
B1	HDWASMB1000	KIT,BEARING/RACE,KEMCO	1	\$11.47	\$29.25	
C1	FRMASMB9229	FRAME,ASSY,FRONT,4 WHEEL,SC44E	1	\$89.96	\$229.41	
D1	FRMASMB9239	AXLE,ASSY,FRONT,4 WHEEL,SC44E	1	\$105	\$267.75	
E1	DWR9983C044	TILLER,KNOB,LOCK,ABS,SC40E/44E,C-9983-044	1	\$1.27	\$3.24	
F1	SPGRAW1064	SPRING,15.5MM FL X 0.90MM WIRE DIA X 10.80MM OD X RATE: 2.46N/MM,(LEE SPRING: LCM-090F-3),B-9983-044	1	\$2.72	\$6.94	
G1	SCRSHCS1127	SCREW,SHCS,BLACK ZINC,M4-7 X 10MM,GRADE 8	1	\$1.16	\$2.96	
H1	FRMASMB9240	BUMPER,ASSY,FRONT,BLACK,SC44E	1	\$1.59	\$4.05	



REF #	PART #	DESCRIPTION	QTY	Dealer \$	MSRP	11i
A1	FRMASMB14082	FORK,ASSY,WITHOUT HOLES,3 WHEEL,SC40E	1	\$29.62	\$75.53	
B1	HDWASMB1000	KIT,BEARING/RACE,KEMCO	1	\$11.47	\$29.25	

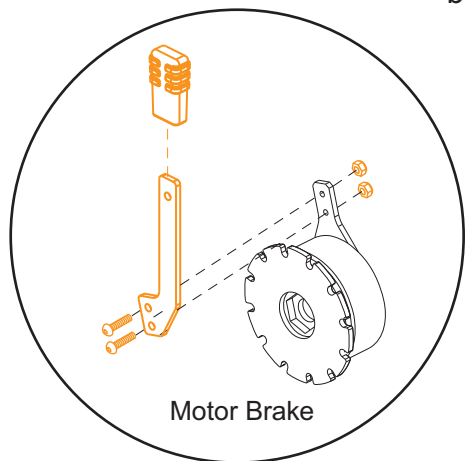


When applicable, assemblies are grouped by color. All components with that color are included in the assembly.

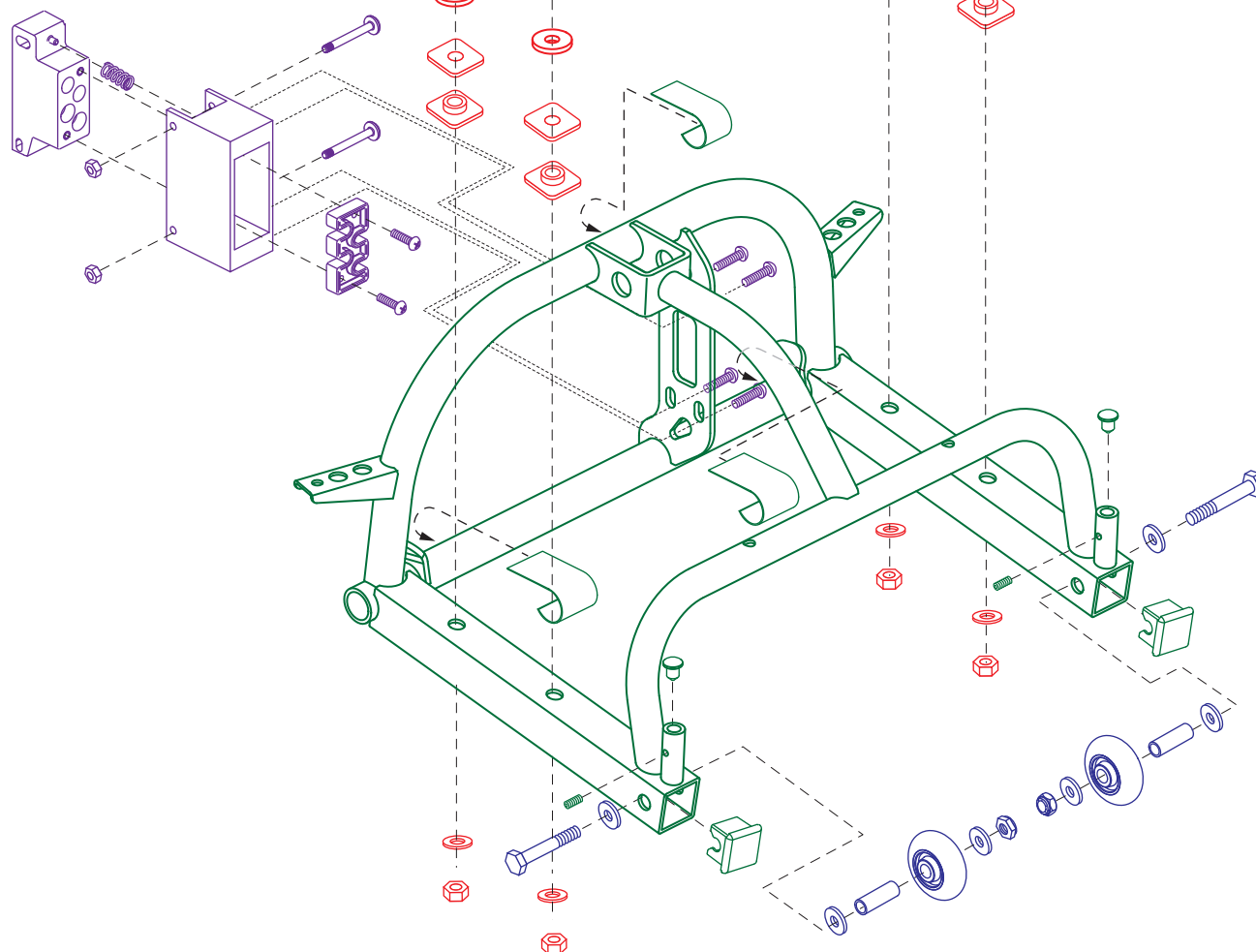
A1	Fork Assembly (Includes B1)
B1	Bearing/Race Kit

REF #	PART #	DESCRIPTION	QTY	Dealer \$	MSRP	11i
A1	FRMASMB9372	FORK,ASSY,3 WHEEL,SC40E	1	N/A	N/A	
B1	HDWASMB1000	KIT,BEARING/RACE,KEMCO	1	\$11.47	\$29.25	

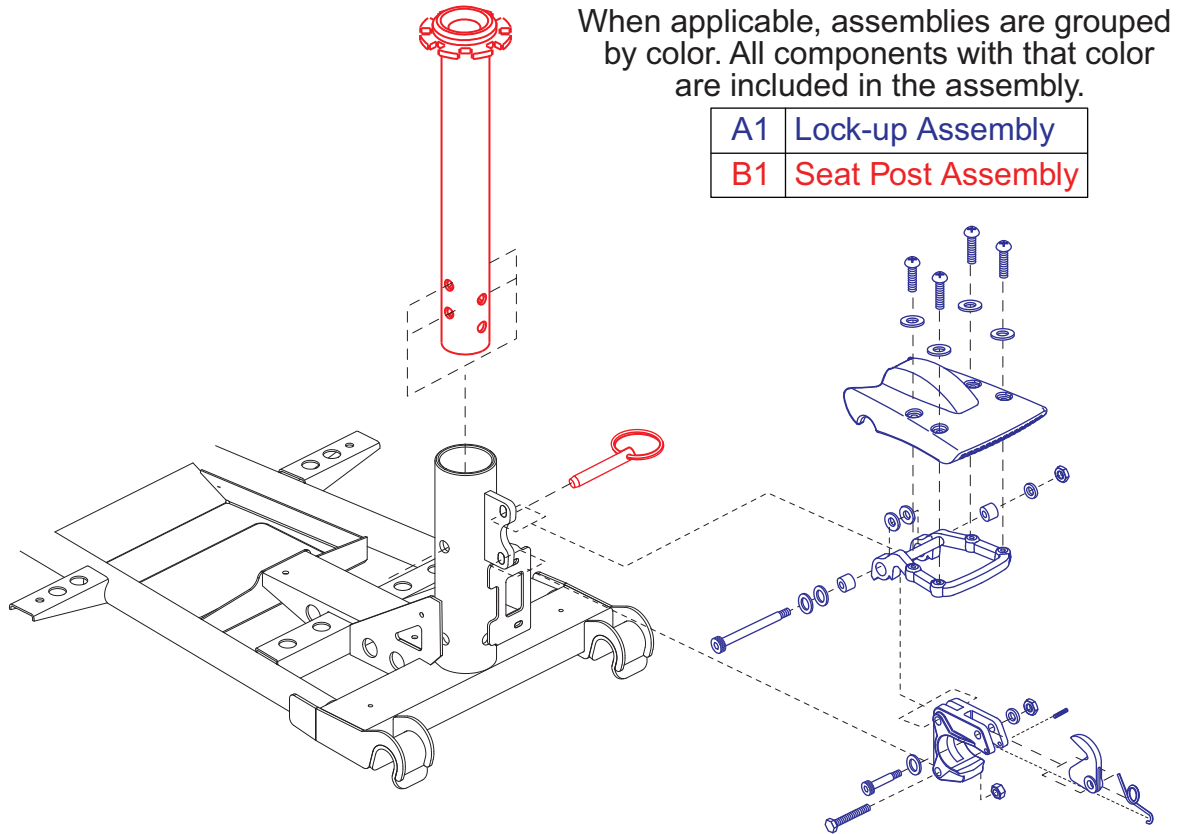
When applicable, assemblies are grouped by color. All components with that color are included in the assembly.



A1	Rear Frame Assy (Includes B1 & C1)
B1	Brake Lever
C1	Power Connector
D1	Transaxle Mounting Hardware
E1	Anti-tip Assembly



REF #	PART #	DESCRIPTION	QTY	Dealer \$	11i MSRP
A1	FRMASMB9230	FRAME,ASSY,REAR,3/4 WHEEL,SC40E/44E	1	\$20.95	\$53.42
B1	FRMASMB9628	FRAME,ASSY,BRAKE LEVER,EXTENSION	1	\$1.16	\$2.96
C1	ELEASMB4832	ELECTRONIC,ASSY,POWER CONNECTOR,HOUSING,FEMALE,SC40E/44E	1	\$18.98	\$48.41
D1	HDWASMB1045	TRANSAXLE,ASSY,HARDWARE,MOUNTING,TRAVEL SCOOTERS	1	\$3.78	\$9.65
E1	WHLASMB1547	WHEEL,ASSY,ANTI-TIP,SC40/44, VERSION 2	2	\$7.44	\$18.98

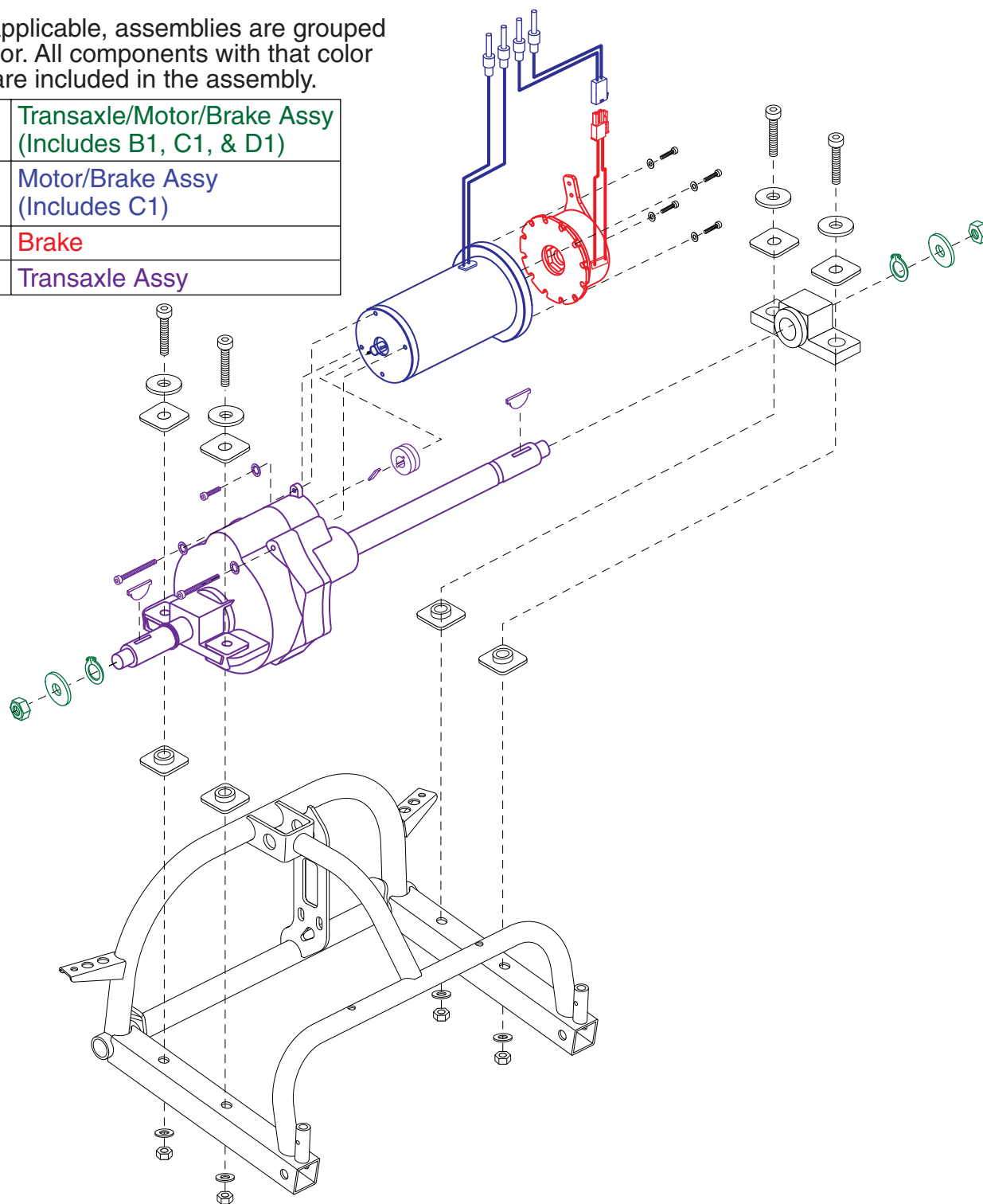


REF #	PART #	DESCRIPTION	QTY	Dealer \$	MSRP	11i
A1	FRMASMB9231	FRAME,ASSY,LOCKUP,SC40E/44E	1	\$20.07	\$51.19	
B1	FRMASMB9630	SEAT POST,ASSY,UPPER,4 HOLE,ADJUSTABLE,W/PIN	1	\$11.72	\$29.88	

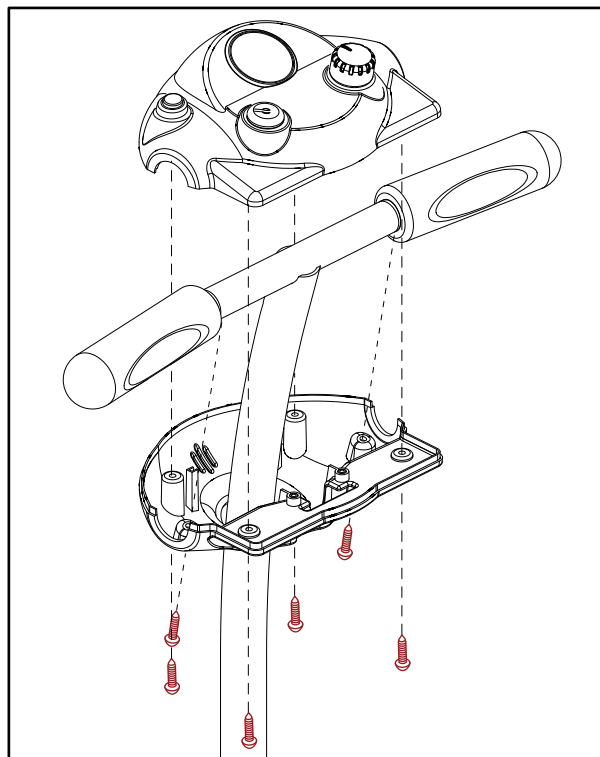
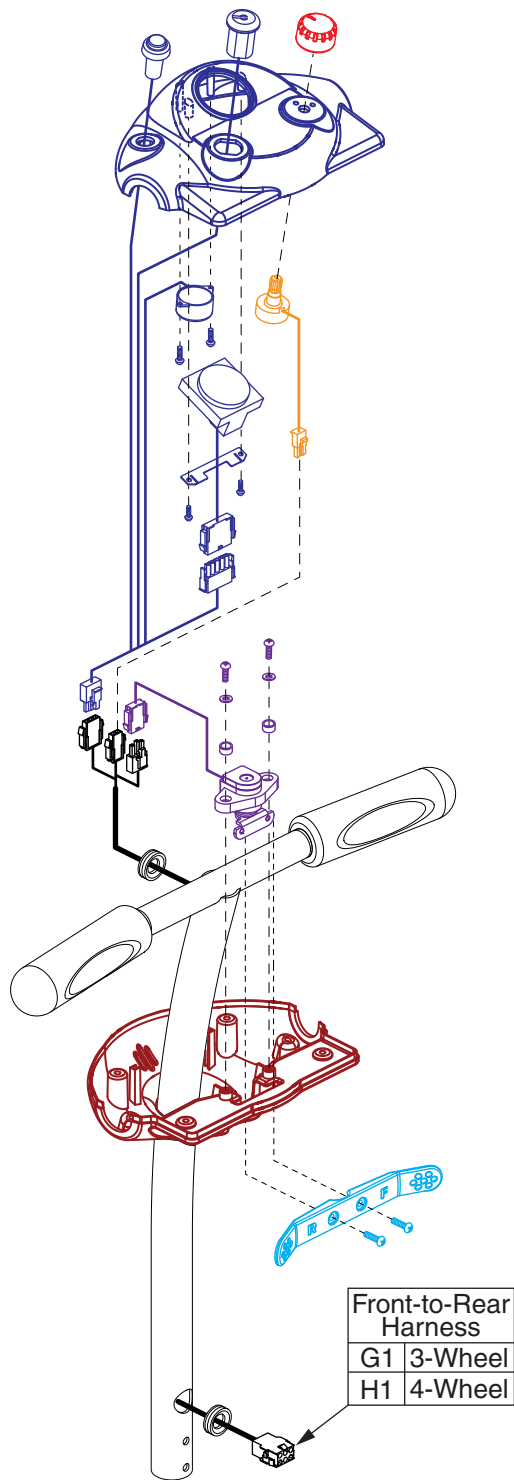
II. Drive Assembly

When applicable, assemblies are grouped by color. All components with that color are included in the assembly.

A1	Transaxle/Motor/Brake Assy (Includes B1, C1, & D1)
B1	Motor/Brake Assy (Includes C1)
C1	Brake
D1	Transaxle Assy



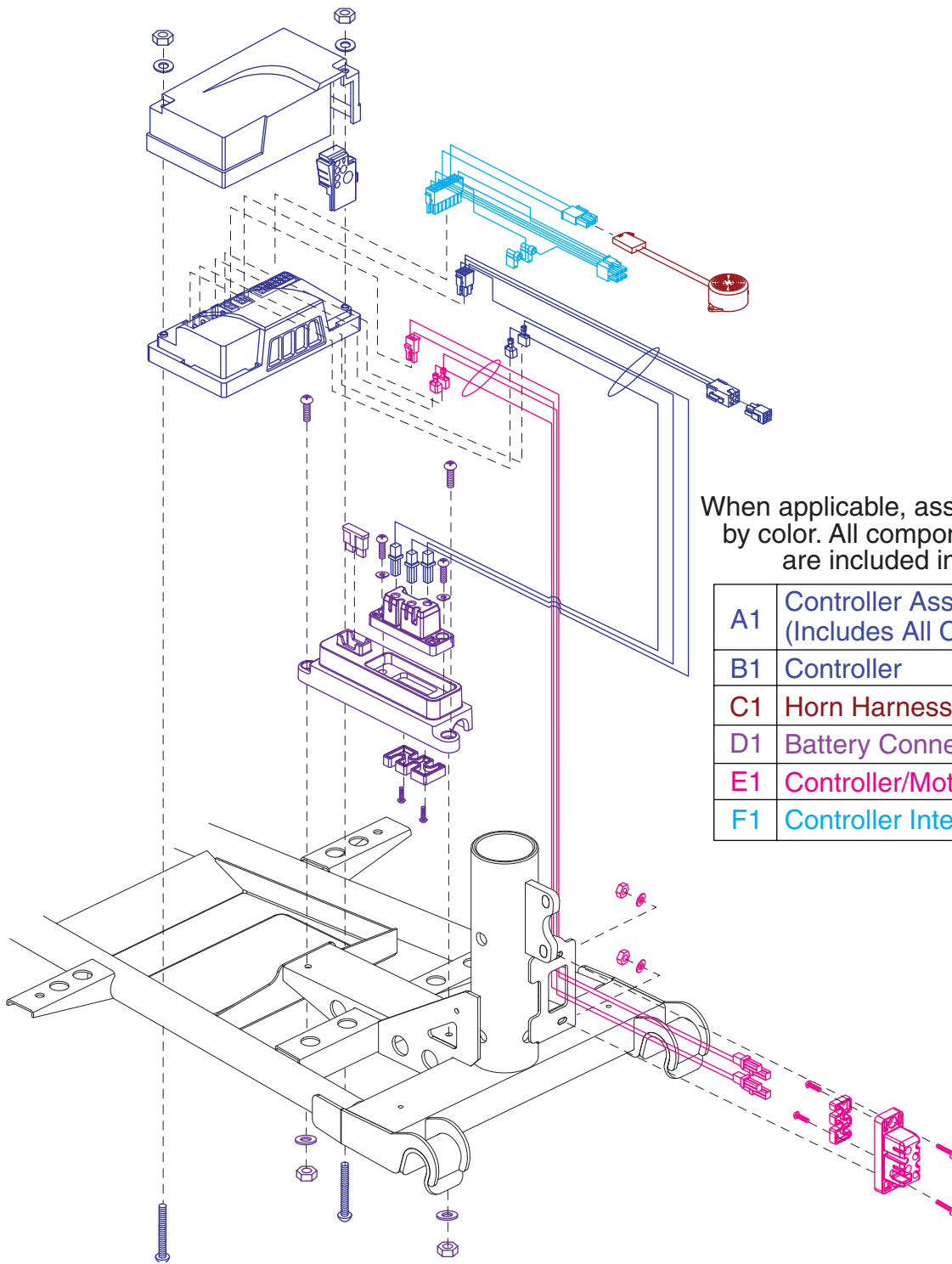
REF #	PART #	DESCRIPTION	QTY	Dealer \$	MSRP	11i
A1	DRVASMB1920	MOTOR,ASSY,MAIN TRANSAXLE/MOTOR/BRAKE,W/POWER CONNECTOR,6KMH,E-1211-001	1	\$285	\$726.74	
B1	DRVASMB1976	MOTOR,ASSY,MOTOR/BRAKE,W/POWER CONNECTOR,JD,(JD: AA250002047)	1	\$162.19	\$413.58	
C1	MOT166646	BRAKE,ASSY,WARNER,3NM,24VDC,(WR198Z434)	1	\$24.9	\$63.49	
D1	DRVASMB1977	TRANSAXLE,ASSY,STD LINK SHAFT,W/HARDWARE,JD,(JD: C0380001808)	1	\$175.49	\$447.5	



When applicable, assemblies are grouped by color. All components with that color are included in the assembly.

A1	Top Console Assy (Includes B1 & C1)
B1	Speed Pot Knob
C1	Speed Pot Harness
D1	Bottom Console Shroud
E1	Throttle Pot
F1	Throttle Control Lever
G1	3-Whl Front-to-Rear Harness
H1	4-Whl Front-to-Rear Harness

REF #	PART #	DESCRIPTION	QTY	Dealer \$	11i MSRP
A1	ELEASMB6926	TOP CONSOLE ASSY,W/LED METER,SC40X/SC44X,H-9981-002	1	\$40.04	\$102.11
B1	DWR9983B030	KNOB,GRAY,PLASTIC,SPEED POT,B-9983-030	1	\$9.04	\$23.05
C1	DWR9975H010	ELECTRONIC,HARNESS,SPEED POT,CTS,25K,H-9975-010	1	\$10.2	\$26.01
D1	SHDASMB4672	SHROUD,ASSY,CONSOLE BOTTOM,BLACK,TEXTURED,SC40E/44E	1	\$3.11	\$7.92
E1	ELEASMB7020	ELECTRONIC,ASSY,THROTTLE POT,CTS W/ISO RESISTOR	1	\$45.9	\$117.04
F1	FRMASMB9233	STANDARD PARTS,ASSY,LEVER,THROTTLE CONTROL	1	\$2.33	\$5.94
G1	DWR9982H001	ELECTRONIC,HARNESS,FRONT-TO-REAR,3 WHEEL,SC40E	1	\$9.36	\$23.87
H1	DWR9983H006	ELECTRONIC,HARNESS,FRONT-TO-REAR,H-9983-006	1	\$9.36	\$23.87



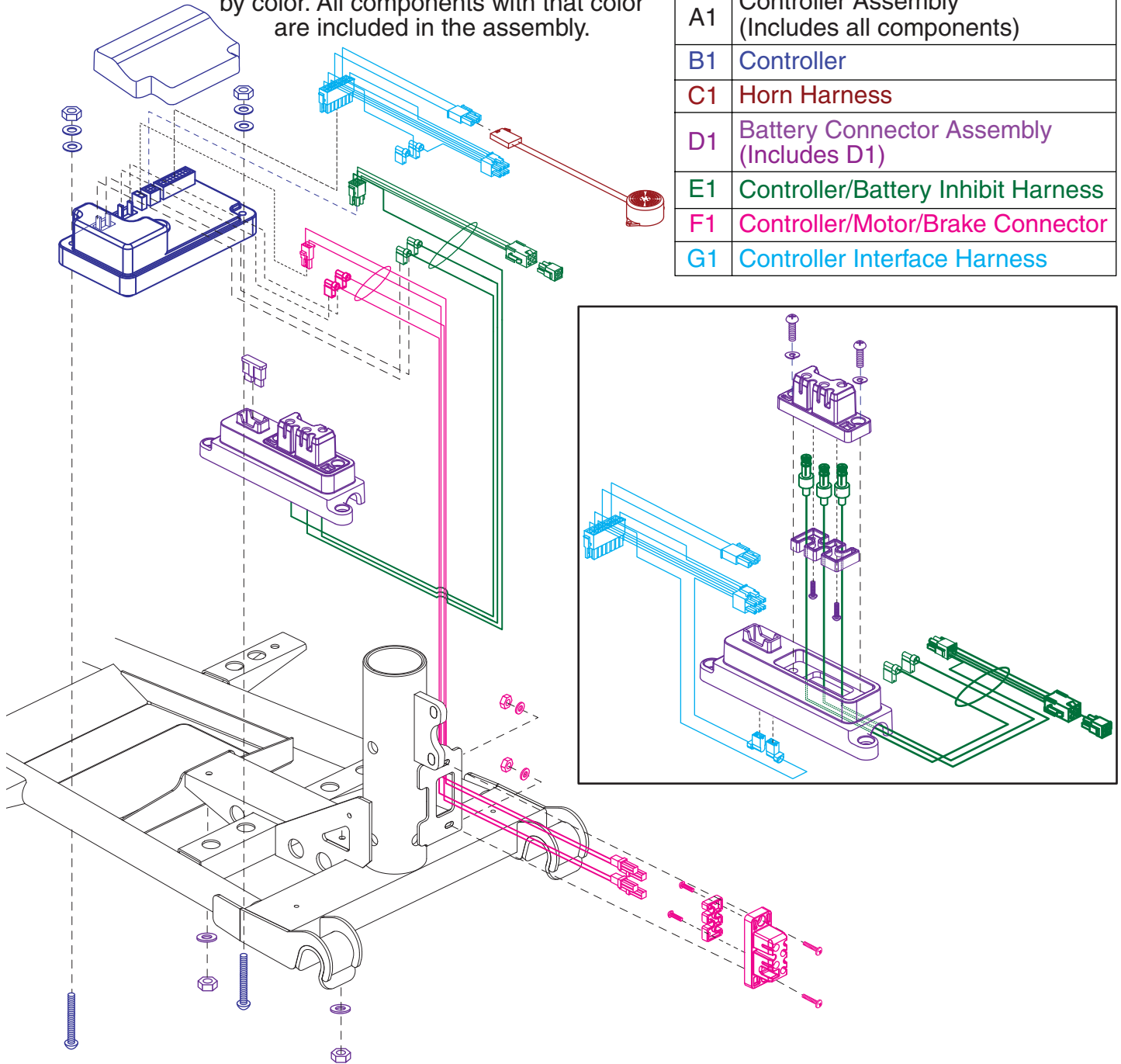
When applicable, assemblies are grouped by color. All components with that color are included in the assembly.

A1	Controller Assembly (Includes All Components)
B1	Controller
C1	Horn Harness
D1	Battery Connector Assembly
E1	Controller/Motor/Brake Connector
F1	Controller Interface Harness

REF #	PART #	DESCRIPTION	QTY	Dealer \$	11i MSRP
A1	ELE148551	ELECTRONIC,ASSY,CONTROLLER ELECTRONICS,R-SERIES V2.07 GOGO ULTRA X	1	\$171	\$436.05
B1	CTL148343	CONTROLLER ASSY, DYNAMIC V2.07, 50AMP, GOGO ULTRA X SC40X/SC44X	1	\$113.33	\$288.99
C1	DWR9555H018	ELECTRONIC,HARNESS, HORN,H-9555-018	1	\$8.03	\$20.47
D1	ELE153015	ELECTRONIC,ASSY,BATTERY CONNECTOR/CONTROLLER,DYNAMIC,GO-GO	1	\$12.07	\$30.78
E1	ELEASMB6823	ELECTRONIC,ASSY,CONTROLLER/MOTOR/BRAKE CONNECTOR,HOUSING,R-SERIES,ELITE SERIES	1	\$26.86	\$68.49
F1	DWR9983H004	ELECTRONIC,HARNESS,CONTROLLER,INTERFACE,S-DRIVE READY,H-9983-004	1	\$10.32	\$26.32

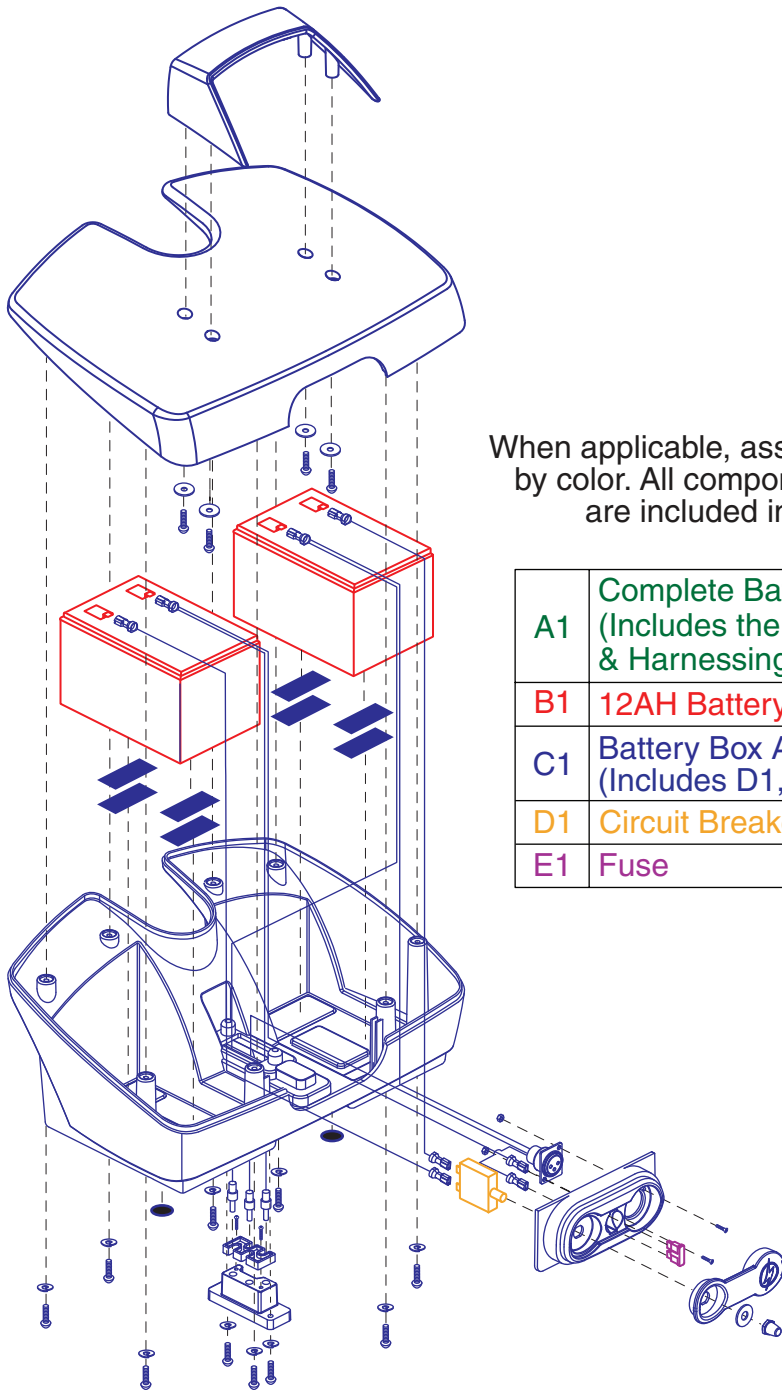
III. Electronics Assembly — Controller, S-Drive

When applicable, assemblies are grouped by color. All components with that color are included in the assembly.



A1	Controller Assembly (Includes all components)
B1	Controller
C1	Horn Harness
D1	Battery Connector Assembly (Includes D1)
E1	Controller/Battery Inhibit Harness
F1	Controller/Motor/Brake Connector
G1	Controller Interface Harness

REF #	PART #	DESCRIPTION	QTY	Dealer \$	11i MSRP
A1	ELEASMB4831	ELECTRONIC,ASSY,CONTROLLER ELECTRONICS,SC40E/44E	1	\$220.23	\$561.59
B1	ELEASMB4893	ELECTRONIC,ASSY,CONTROLLER,S-DRIVE,45AMP,W/METAL CASTING,SC40E/44E	1	\$212.4	\$541.62
C1	DWR9555H018	ELECTRONIC,HARNESS, HORN,H-9555-018	1	\$8.03	\$20.47
D1	ELEASMB4830	ELECTRONIC,ASSY,BATTERY CONNECTOR/CONTROLLER,SC40E/44E	1	\$12.07	\$30.79
E1	DWR9983H003	ELECTRONIC,HARNESS,CONTROLLER,BATTERY/INHIBIT,H-9983-003	1	\$5.94	\$15.14
F1	ELEASMB4852	ELECTRONIC,ASSY,CONTROLLER/MOTOR/BRAKE CONNECTOR,HOUSING,SC40E/44E	1	\$21.89	\$55.81
G1	DWR9983H004	ELECTRONIC,HARNESS,CONTROLLER,INTERFACE,S-DRIVE READY	1	\$10.32	\$26.32

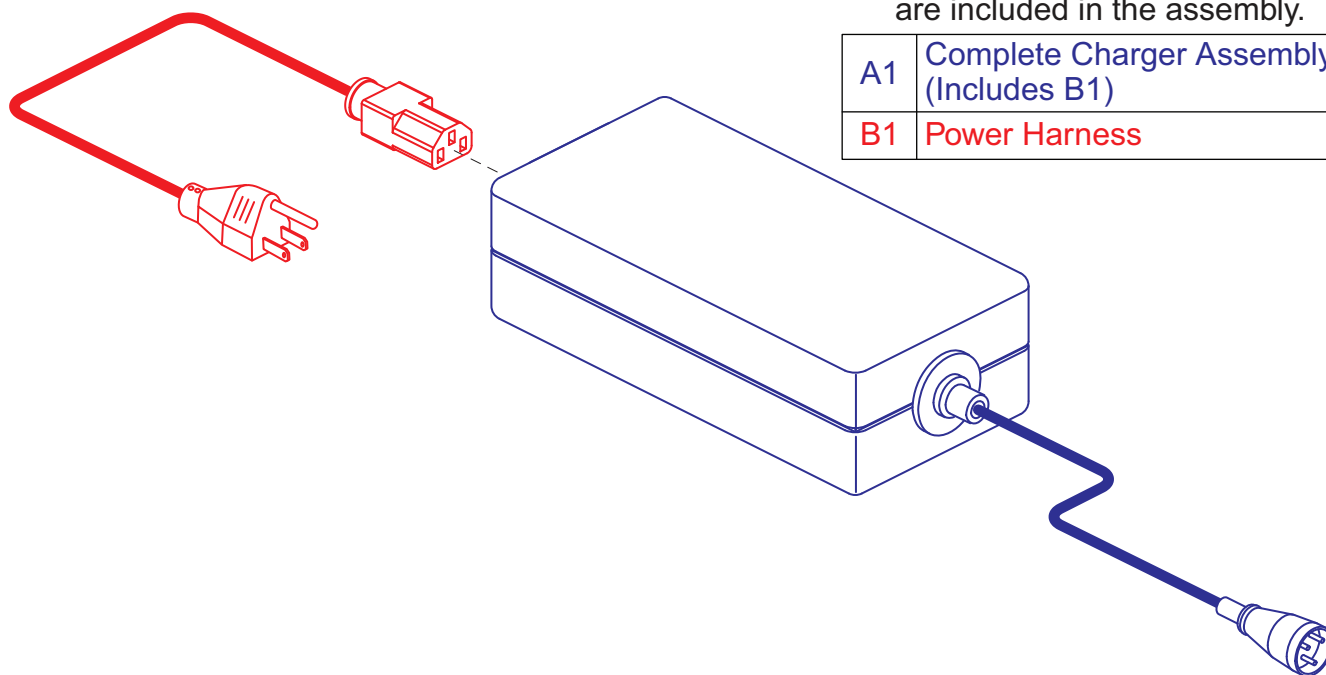


When applicable, assemblies are grouped by color. All components with that color are included in the assembly.

A1	Complete Battery Box Assy (Includes the Box, Batteries & Harnessing)
B1	12AH Battery
C1	Battery Box Assembly (Includes D1, E1 & Harnessing)
D1	Circuit Breaker
E1	Fuse

REF #	PART #	DESCRIPTION	QTY	Dealer \$	MSRP	11i
A1	BATASMB1028	BATTERY,ASSY,BOX,12 AMP,SC40E/44E	1	\$150.95	\$384.92	
B1	BATLIQ1013	BATTERY,AGM,12AH,W/0.250 FAST-ON,H-1000-134	2	\$36.75	\$93.71	
C1	PLSASMB2013	BATTERY BOX,12 AMP,SC40E/44E,W/OUT BATTERIES	1	\$54.53	\$139.06	
D1	ELECBRK1013	ELECTRONIC,CIRCUIT BREAKER,15 AMP	1	\$4.25	\$10.83	
E1	ELEFUSE1013	ELECTRONIC,FUSE,5 AMP,ATO	1	\$1.16	\$2.96	

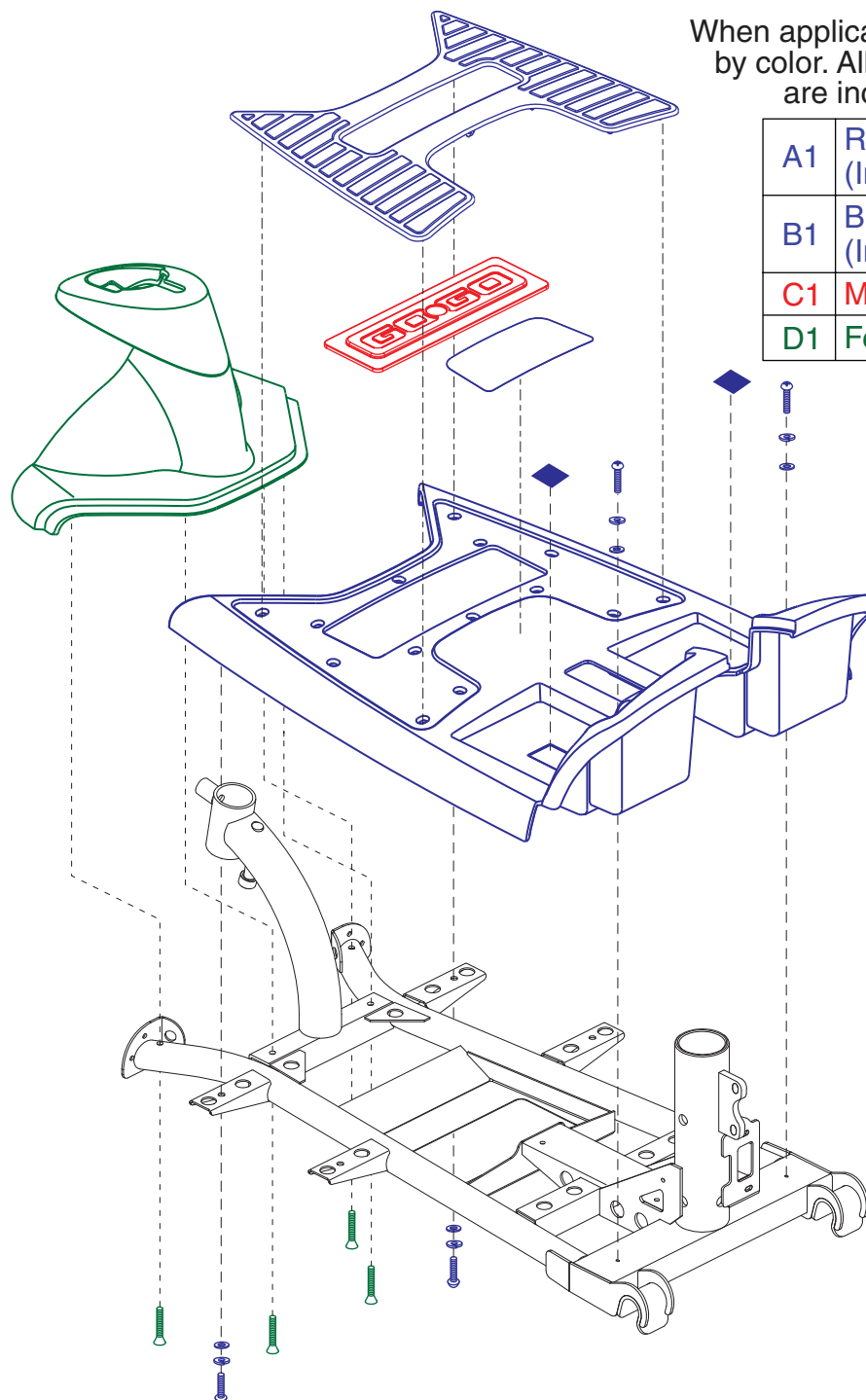
When applicable, assemblies are grouped by color. All components with that color are included in the assembly.



REF #	PART #	DESCRIPTION	QTY	Dealer \$	MSRP	11i
A1	ELEASMB5353	CHARGER,ASSY,OFFBOARD,LOW INHIBIT,100V-240V,2 AMP,W/XLR HARNESS, CE/CUL/UL APPROVED,W/US POWERCORD	1	\$65.38	\$166.73	
B1	HARUSHD1065	ELECTRONIC,HARNESS,POWER CORD,IEC - USA,H-1000-128	1	\$6.03	\$15.38	

IV. Shroud Assembly — Front, 3-Wheel

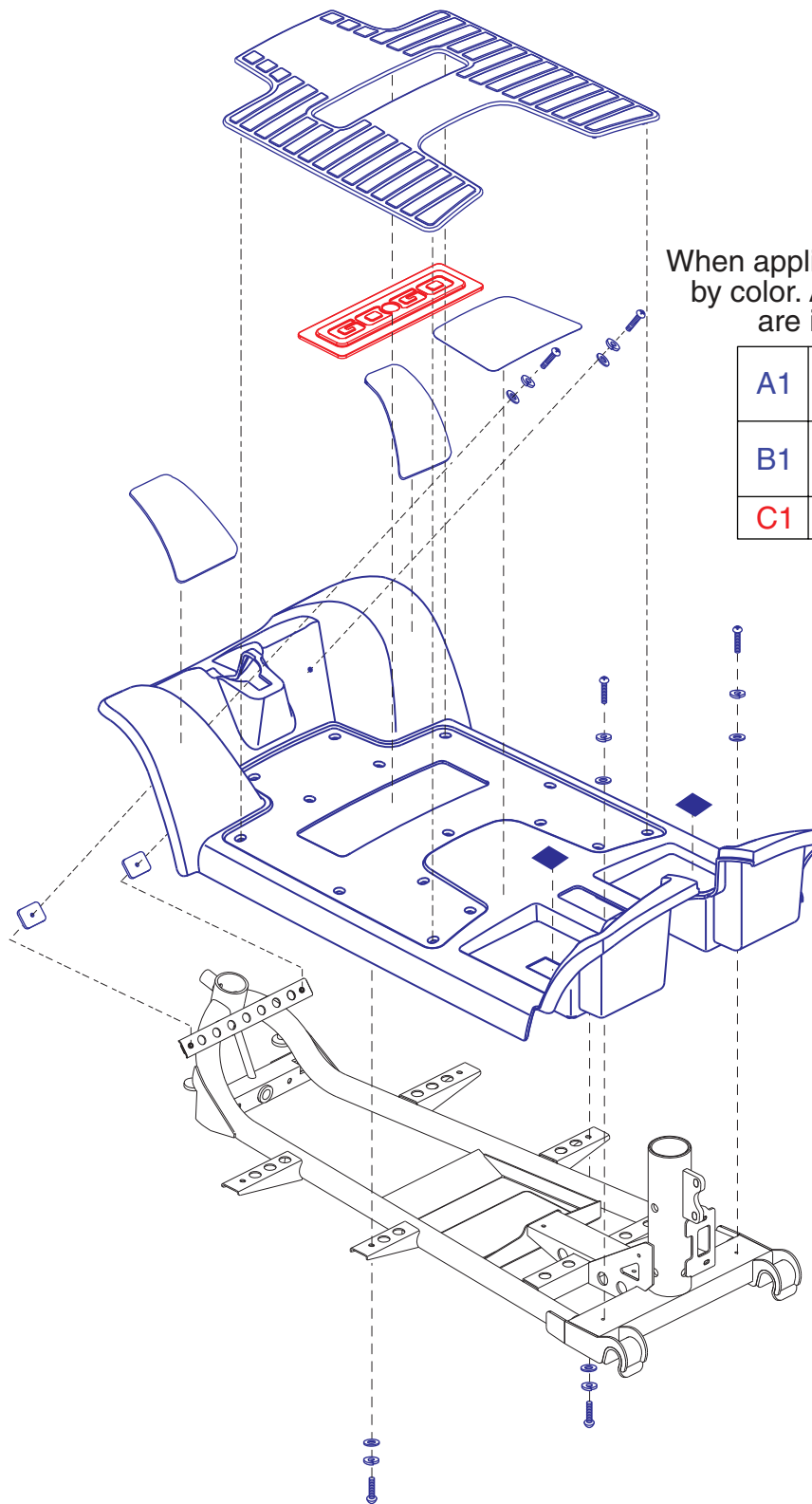
When applicable, assemblies are grouped by color. All components with that color are included in the assembly.



A1	Red Front Body Shroud (Includes C1 & D1)
B1	Blue Front Body Shroud (Includes C1 & D1)
C1	Mat Insert
D1	Fender Shroud Assembly

REF #	PART #	DESCRIPTION	QTY	Dealer \$	MSRP	11i
A1	SHDASMB4818	SHROUD,ASSY,FRONT BODY,RED,SC40X	1	\$25.56	\$65.17	
B1	SHDASMB4819	SHROUD,ASSY,FRONT BODY,BLUE,SC40X	1	\$50.8	\$129.55	
C1	DWR9955D014	MAT,INSERT,GO-GO LOGO, SC40,D-9955-014	1	\$7.14	\$18.22	
D1	SHDASMB4868	SHROUD,ASSY,FRONT FENDER,BLACK,SC40X	1	\$13.2	\$33.67	

IV. Shroud Assembly — Front, 4-Wheel

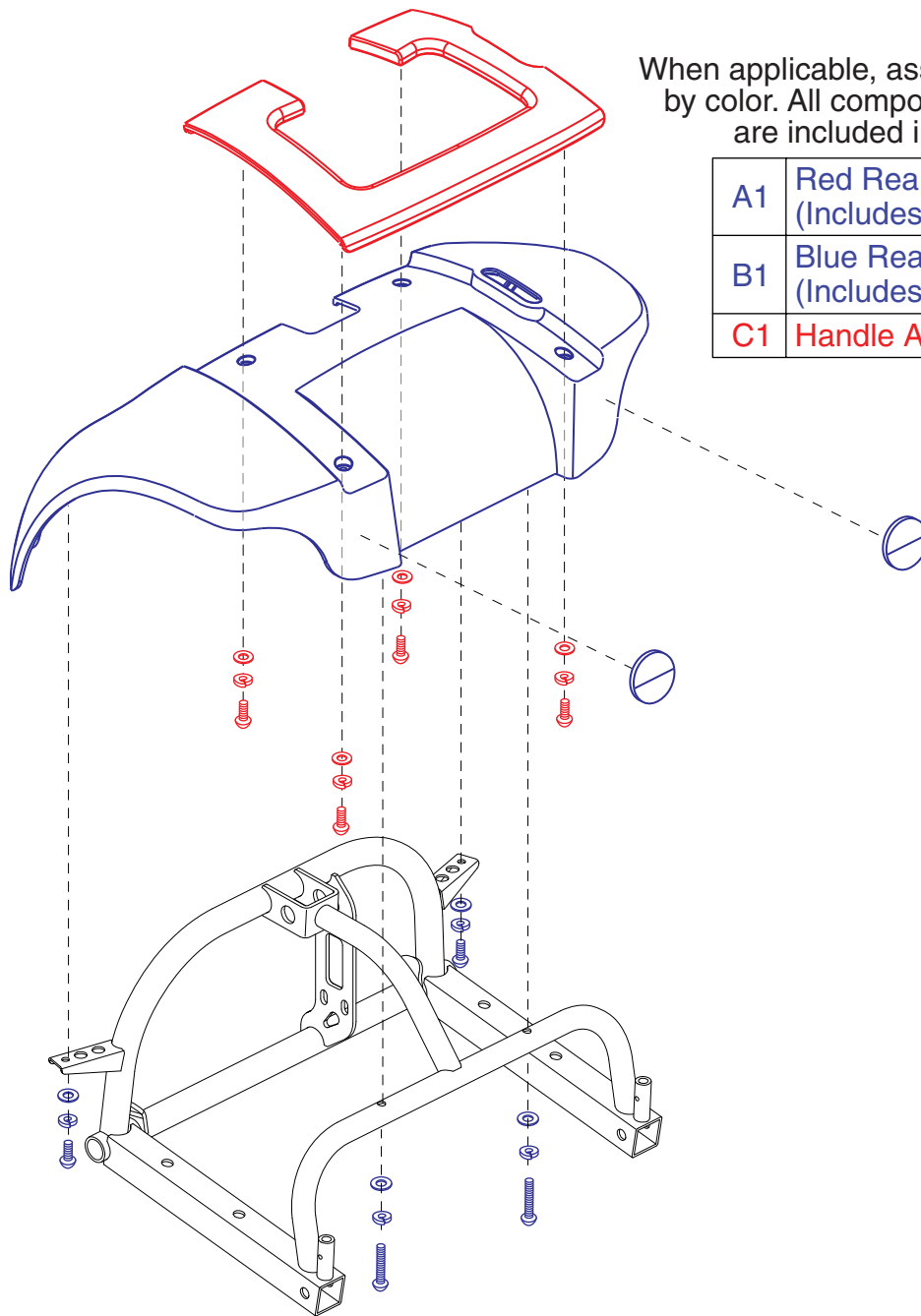


When applicable, assemblies are grouped by color. All components with that color are included in the assembly.

A1	Red Front Body Shroud (Includes C1)
B1	Blue Front Body Shroud (Includes C1)
C1	Mat Insert

REF #	PART #	DESCRIPTION	QTY	Dealer \$	MSRP	11i
A1	SHDASMB4820	SHROUD,ASSY,FRONT BODY,RED,SC44X	1	\$41.16	\$104.95	
B1	SHDASMB4821	SHROUD,ASSY,FRONT BODY,BLUE,SC44X	1	\$31.17	\$79.49	
C1	DWR9955D014	MAT,INSERT,GO-GO LOGO,SC40,D-9955-014	1	\$7.14	\$18.22	

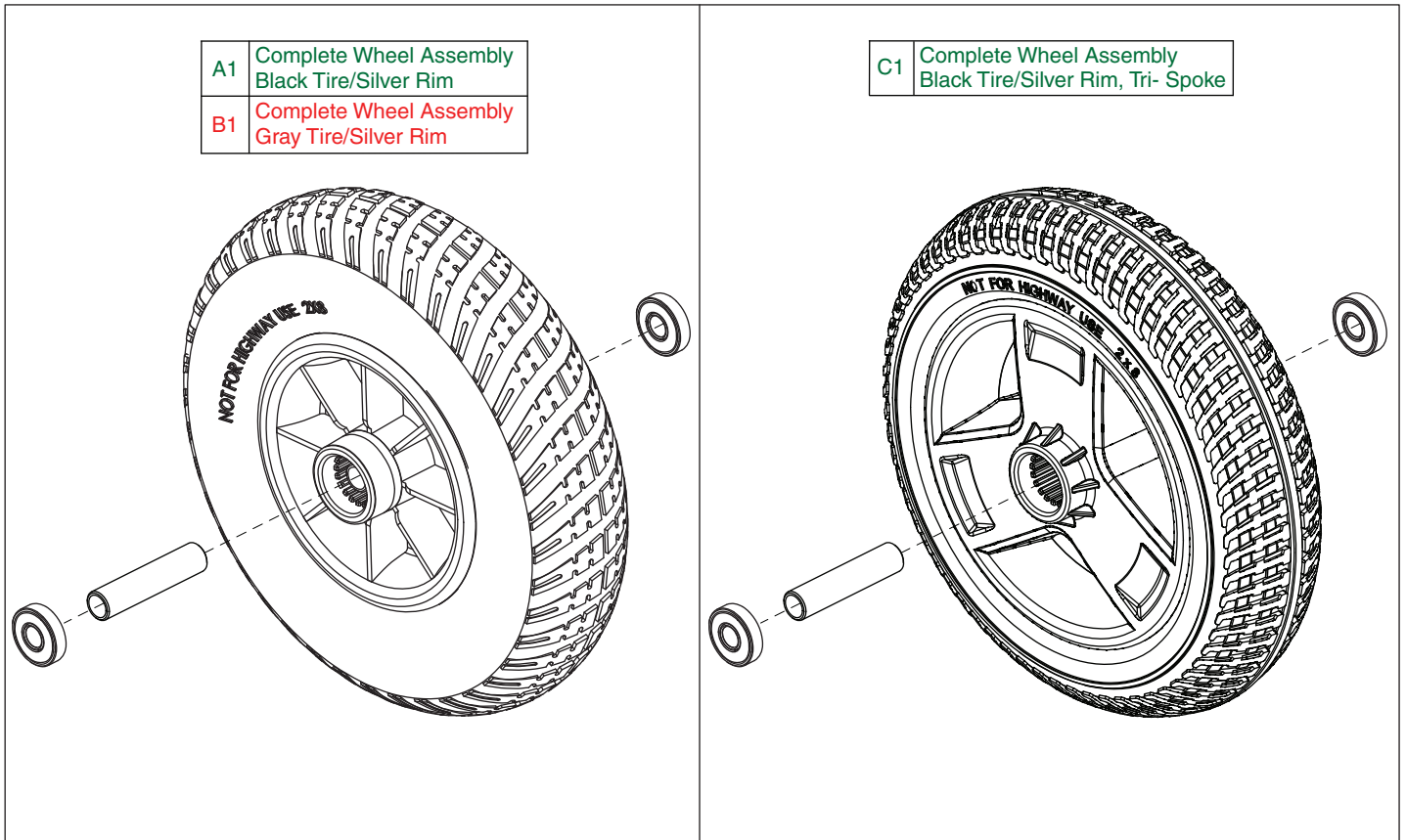
IV. Shroud Assembly — Rear



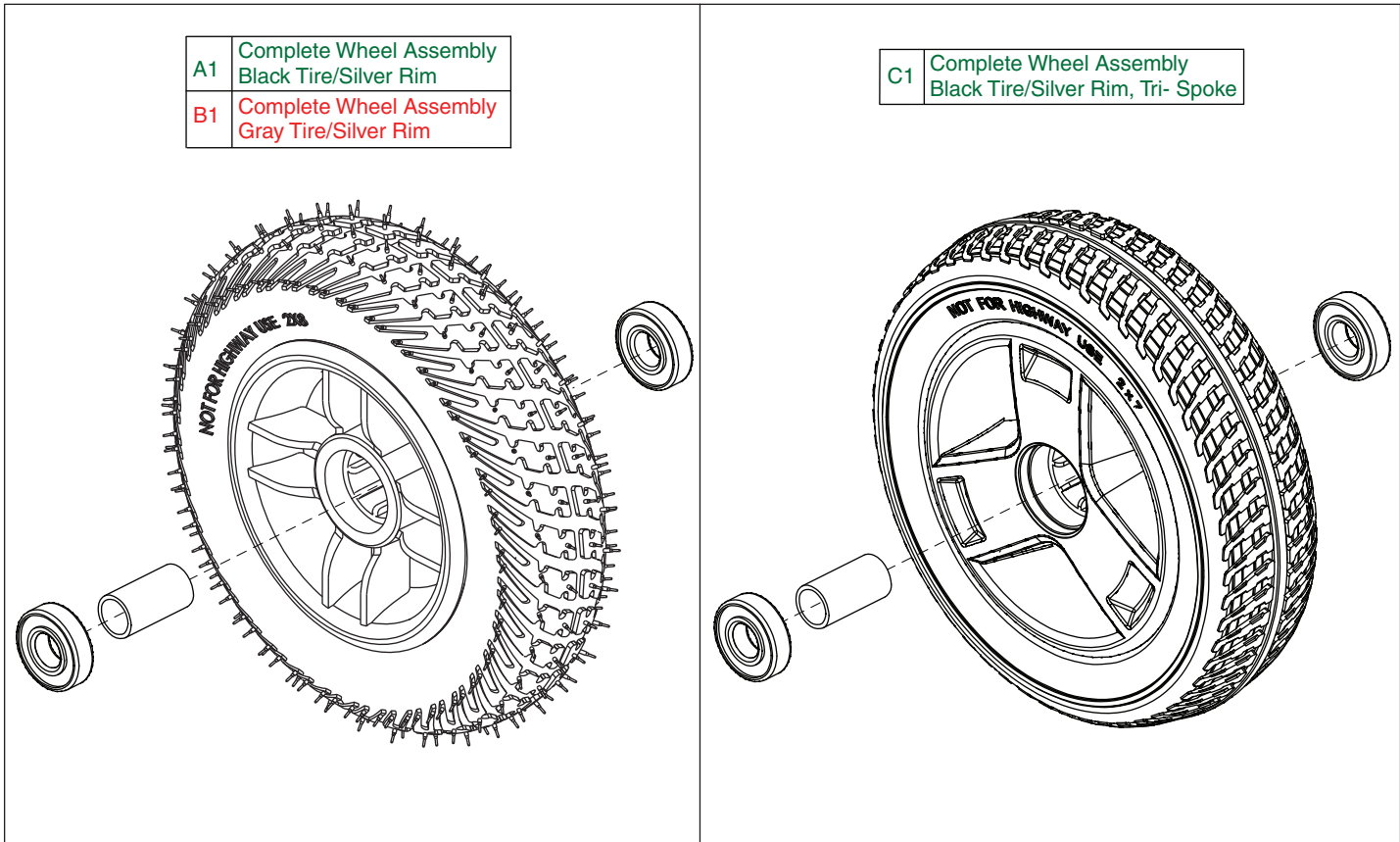
When applicable, assemblies are grouped by color. All components with that color are included in the assembly.

A1	Red Rear Shroud (Includes C1)
B1	Blue Rear Shroud (Includes C1)
C1	Handle Assembly

REF #	PART #	DESCRIPTION	QTY	Dealer \$	MSRP	11i
A1	SHDASMB4822	SHROUD,ASSY,REAR BODY,RED,SC40X/SC44X	1	\$9.44	\$24.07	
B1	SHDASMB4823	SHROUD,ASSY,REAR BODY,BLUE,SC40X/SC44X	1	\$21.84	\$55.7	
C1	PLSASMB2014	PLASTIC,ASSY,HANDLE,BLACK,REAR WING,SC40E/44E	1	\$4.17	\$10.63	



REF #	PART #	DESCRIPTION	QTY	Dealer \$	MSRP	11i
A1	WHLASMB1844	WHEEL,ASSY,FLAT-FREE,SILVER RIM/BLACK TIRE,3 WHEEL,2 X 8",FRONT,COMPLETE,D-9982-012	1	\$30.28	\$77.22	
B1	WHLASMB1703	WHEEL,ASSY,FLAT FREE,BLACK RIM/GRAY TIRE,3 WHEEL,2 X 8",FRONT,COMPLETE,D-9982-012	1	N/A	N/A	
C1	WHLASMB1872	WHEEL,ASSY,PU FOAM,SILVER RIM/BLACK TIRE,TRI-SPOKE,3 WHEEL,2 X 8",FRONT,COMPLETE,D-1203-050	1	\$31.98	\$81.56	

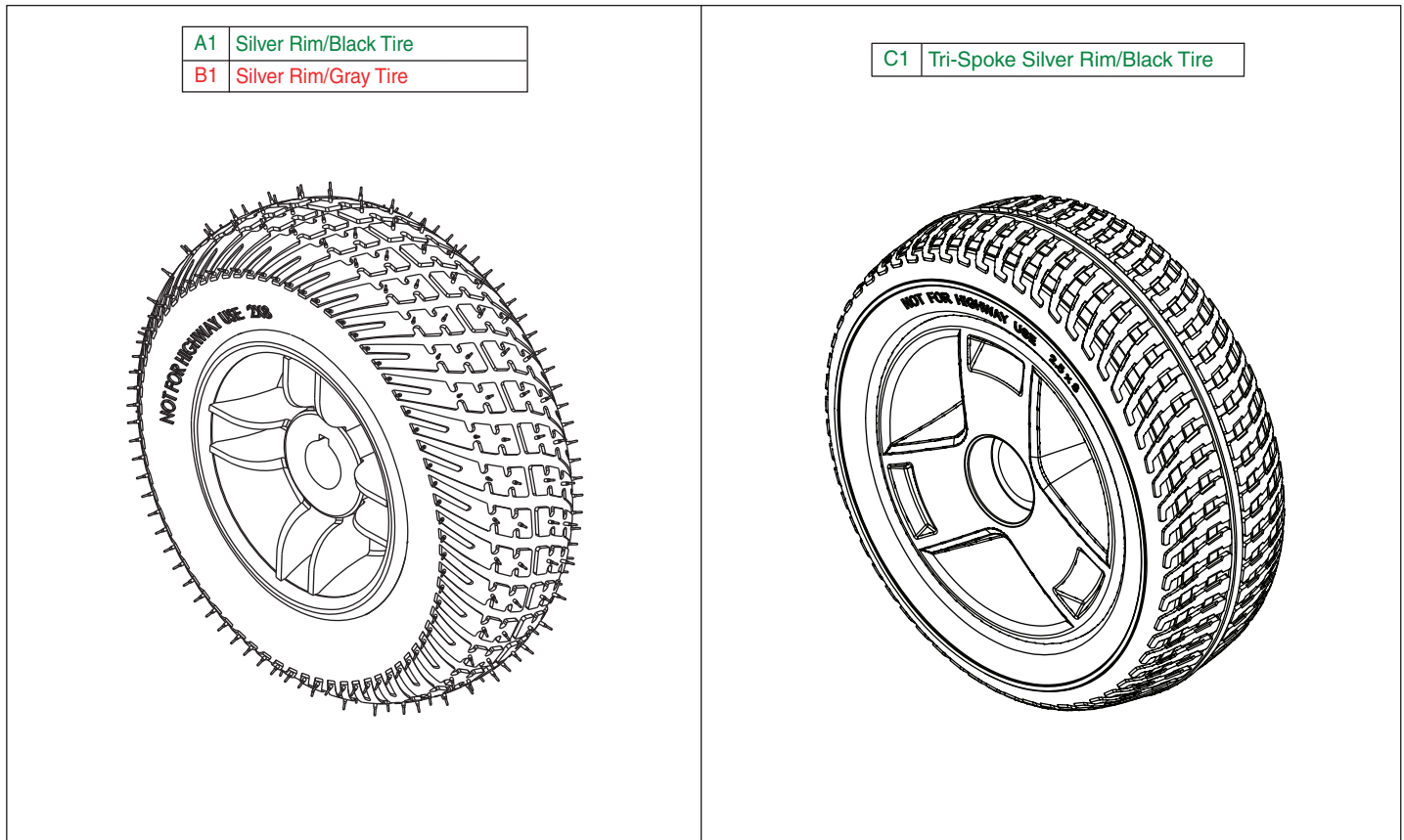


A1	Complete Wheel Assembly Black Tire/Silver Rim
B1	Complete Wheel Assembly Gray Tire/Silver Rim

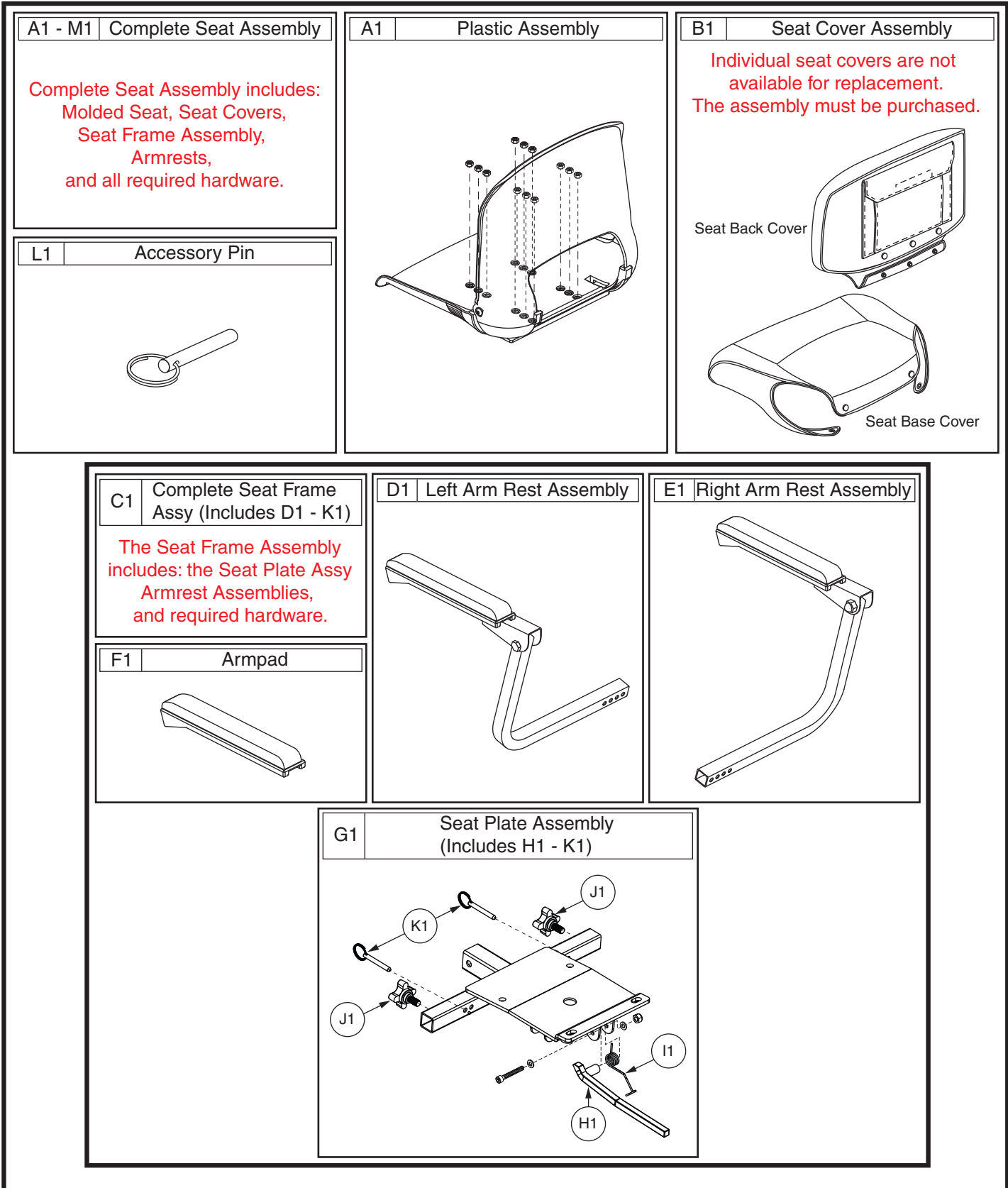
C1	Complete Wheel Assembly Black Tire/Silver Rim, Tri- Spoke
----	--

REF #	PART #	DESCRIPTION	QTY	Dealer \$	MSRP	11i
A1	WHLASMB1841	WHEEL,ASSY,FLAT-FREE,SILVER RIM/BLACK TIRE,4 WHEEL,2 X 7",FRONT,COMPLETE,D-9983-036	2	\$20.38	\$51.98	
B1	WHLASMB1704	WHEEL,ASSY,FLAT FREE,BLACK RIM/GRAY TIRE,4 WHEEL,2 X 7",FRONT,COMPLETE,D-9983-036	2	\$18.11	\$46.17	
C1	WHLASMB1868	WHEEL,ASSY,PU FOAM,SILVER RIM/BLACK TIRE,TRI-SPOKE,4 WHEEL,2 X 7",FRONT,COMPLETE,D-1203-048	2	\$25.89	\$66.02	

V. Wheel Assembly — Rear



REF #	PART #	DESCRIPTION	QTY	Dealer \$	MSRP	11i
A1	WHLASMB1838	WHEEL, ASSY, FLAT-FREE, SILVER RIM/BLACK TIRE, 2.5 X 8", REAR, COMPLETE, D-9983-037	2	\$25.65	\$65.41	
B1	WHLASMB1705	WHEEL, ASSY, FLAT FREE, BLACK RIM/GRAY TIRE, 2.5 X 8", REAR, COMPLETE, D-9983-037	2	\$21.8	\$55.58	
C1	WHLASMB1864	WHEEL, ASSY, PU FOAM, SILVER RIM/BLACK TIRE, TRI-SPOKE, 2.5 X 8", REAR, COMPLETE, D-1203-051	2	\$33.09	\$84.37	



VI. Seat Assembly

REF #	PART #	DESCRIPTION	QTY	Dealer \$	MSRP	11i
A1 - M1	SET151005	SEAT,ASSY,MOLDED PLASTIC,BLACK VINYL,17"W,17"D,14"H,W/EMBROIDERED PRIDE LOGO	1	\$155.76	\$397.18	
A1	PLSASMB2053	PLASTIC,ASSY,17"W,17"D,MOLDED PLASTIC,SEAT BACK/BASE	1	\$56.16	\$143.21	
B1	SET151004	SEAT,ASSY,BLACK VINYL,MOLDED PLASTIC,17"W,17"D,W/EMBROIDERED PRIDE LOGO	1	\$63.72	\$162.49	
C1	FRMASMB9823	FRAME,SEAT FRAME,ASSY,MOLDED PLASTIC SEAT	1	\$117.96	\$300.8	
D1	FRMASMB9827	ARMREST,ASSY,BLACK,LEFT,MOLDED PLASTIC SEAT	1	\$38.61	\$98.45	
E1	FRMASMB9828	ARMREST,ASSY,BLACK,RIGHT,MOLDED PLASTIC SEAT	1	\$38.61	\$98.45	
F1	ARM153519	ARMREST,PAD,BLACK,LEFT/RIGHT,10" ,(SHUXIN: SX0371-3)	1	\$7.13	\$18.18	
G1	MEC152067	SEAT PLATE ASSEMBLY - GOGO	1	\$42.25	\$107.75	
H1	DWR9998C016	LEVER,SEAT RELEASE,ZINC PLATED,REVO,C-9998-016	1	\$8.23	\$20.99	
I1	SPGRAW1010	SPRING, RAW,LEVER LOCKING SC150	1	\$1.18	\$3.02	
J1	DWR1000B152	HANDLE,LOCK KNOB,B-1000-152	2	\$1.64	\$4.17	
K1	PINCOTD1000	PIN,COTTERLESS DETENT W/RING,.25" DIA X 1.5" GRIP L	2	\$2.31	\$5.88	
L1	PINCOTD1006	PIN,COTTERLESS DETENT W/RING,.375" DIA X 2.00" GRIP L	1	\$2.34	\$5.97	
*M1	DWR1234L923	DECAL,PINCH POINT,READ OWNERS MANUAL,L-1234-923	1	\$1.13	\$2.87	

Notes :

*M1 Not shown.

(This page is intentionally left blank.)

VII. Owner's Package

REF #	PART #	DESCRIPTION	QTY	Dealer \$	MSRP	11i
*N/A	INDASMB1696	OWNER'S PACKAGE,GO-GO ULTRA X,SC40X/SC44X,UNITED STATES	1	N/A	N/A	
*N/A	PROZBAG1003	BAG,10"L X 12"W X 2MIL,ZIPLOCK	1	N/A	N/A	
*N/A	PINCOTD1006	PIN,COTTERLESS DETENT W/RING,,375" DIA X 2.00" GRIP LENGTH,B-1005-169	1	\$2.34	\$5.97	
*N/A	KEYSCO1007	KEY,COATED, A126	1	\$4.08	\$10.4	
*N/A	INFINFB1137	MANUAL,WARRANTY CARD,ENGLISH	1	N/A	N/A	
*N/A	DWR1020C034	KEY,DELUXE,W/MOLDED PLASTIC KNOB,EASY PULL,C-1020-034	1	\$4.68	\$11.94	
*N/A	INFMANU3989	MANUAL,CONSUMER SAFETY GUIDE,SCOOTER	1	N/A	N/A	
*N/A	INFINFB3056	MANUAL,PRODUCT INSERT SHEET,SCOOTER PRODUCT WARRANTY,ALL DOMESTIC SCOOTERS	1	N/A	N/A	
*N/A	INFMANU4392	MANUAL,OWNER'S,TRAVEL SCOOTER SERIES,UNIVERSAL	1	\$6.24	\$15.9	
*N/A	INFINFB3082	PRODUCT INSERT SHEET,INTRODUCTION SHEET,PRIDE,US,UK,AU,FC	1	\$1.18	\$3.02	
*N/A	INFINFB3101	MANUAL,QUICK START GUIDE,TRAVEL SCOOTER SERIES,UNIVERSAL	1	N/A	N/A	
*N/A	LAB131655	HANG TAG,SCOOTER CONSOLIDATED HANG TAG	1	N/A	N/A	
*N/A	INFINFB3278	PRODUCT INSERT SHEET,SPECIFICATIONS,GO GO ULTRA X,40X/44X,ENGLISH/FRENCH/DUTCH/GERMAN/ITALIAN/SPANISH	1	N/A	N/A	

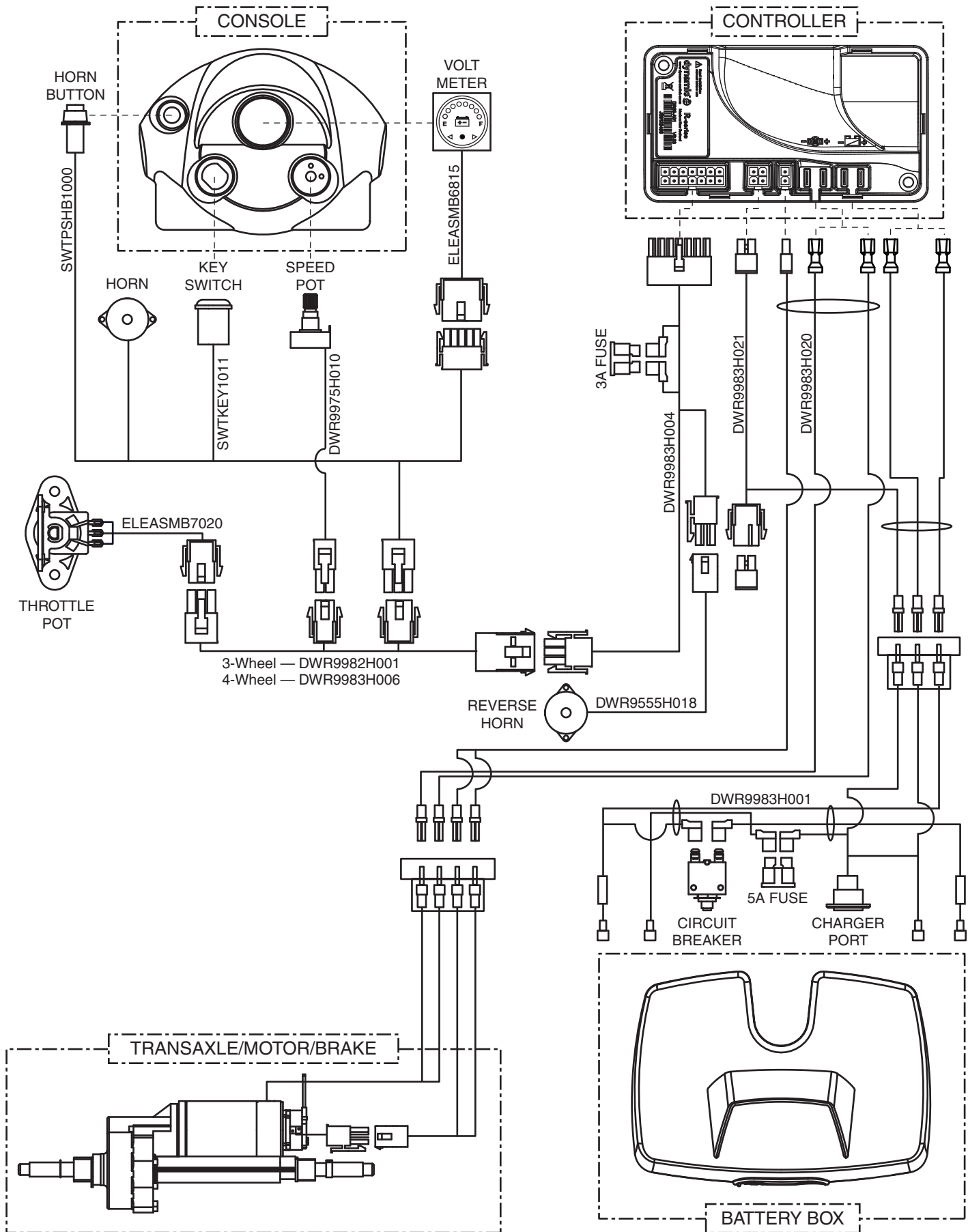
VIII. Decal Package — 3-Wheel

REF #	PART #	DESCRIPTION	QTY	Dealer \$	MSRP	11i
*N/A	DECASMB1867	DECAL,ASSY,GO-GO ULTRA X,3-WHEEL,12 AMP,UNITED STATES	1	N/A	N/A	
*N/A	DECINDV1211	DECAL,+/-,BATTERY HARNESS,L-1234-733	2	\$1.1	\$2.81	
*N/A	DECSERN1035	DECAL,SERIAL NUMBER,2" X 1.25",BARCODE,MADE IN CHINA,W/PRIDE LOGO	1	N/A	N/A	
*N/A	DWR1234L108	DECAL,ICON,CHARGE BATTERY BEFORE START,L-1234-108	1	\$1.16	\$2.96	
*N/A	DWR1234L336	DECAL,ICON,SCOOTER SEAT POST SETUP INSTRUCTIONS,L-1234-336	1	N/A	N/A	
*N/A	DWR1234L658	DECAL,SHOCK PREVENTION,BLACK VINYL,UV COATED,L-1234-658	1	\$1.1	\$2.81	
*N/A	DWR1234L766	DECAL,ICON,BATTERY CONNECTION DIAGRAM,12 AMP,L-1234-766	1	\$1.1	\$2.81	
*N/A	DWR1234L811	DECAL,ICON,DO NOT ADJUST ANTI-TIP,1.25" X 0.75",JAZZYSELECT,L-1234-811	2	\$1.1	\$2.81	
*N/A	DWR1234L810	DECAL,ICON,ELECTRONIC COMPONENTS DISPOSAL,L-1234-810	1	\$1.1	\$2.81	
*N/A	DWR1234L902	DECAL,LOGO,LEFT/RIGHT,GO GO ULTRA X,SC40X/44X,L-1234-902	2	N/A	N/A	
*N/A	DWR1234L923	DECAL,PINCH POINT,READ OWNERS MANUAL,L-1234-923	1	\$1.1	\$2.81	
*N/A	DWR1235L511	DECAL,PATENT PENDING,L-1235-511	1	\$1.1	\$2.81	
*N/A	DWR1235L515	DECAL,WARNING,BATTERY WARNINGS,L-1235-515	1	\$1.38	\$3.51	
*N/A	DWR1235L520	DECAL,CAUTION,EXTENSION CORD/GROUNDING PRONG,L-1235-520	1	\$1.38	\$3.51	
*N/A	DWR1235L551	DECAL,ISO,"AGM/GEL CELL/DOT CERTIFIED",L-1235-551	1	\$1.53	\$3.91	
*N/A	DWR1235L798	DECAL,ICON,FREEWHEEL OPERATION,L-1235-798	1	\$1.16	\$2.96	
*N/A	LAB120015	DECAL,NOT RATED FOR OCCUPIED TRANSPORT,SCOOTER	1	\$1.16	\$2.96	
*N/A	LAB120027	DECAL,DATA PLATE,GOGO ULTRA X (S40X)	1	N/A	N/A	
*N/A	LAB120048	DECAL,READ OWNER'S MANUAL,260 LB WEIGHT CAPACITY,LOOSE GARMENTS DECAL,GOGO	1	N/A	N/A	
*N/A	LAB146020	DECAL,GO-GO PHONE NUMBER AND WEBSITE REAR SHROUD	1	\$1.16	\$2.96	
*N/A	DGN145457	PRIDE BADGE,SMALL	1	N/A	N/A	

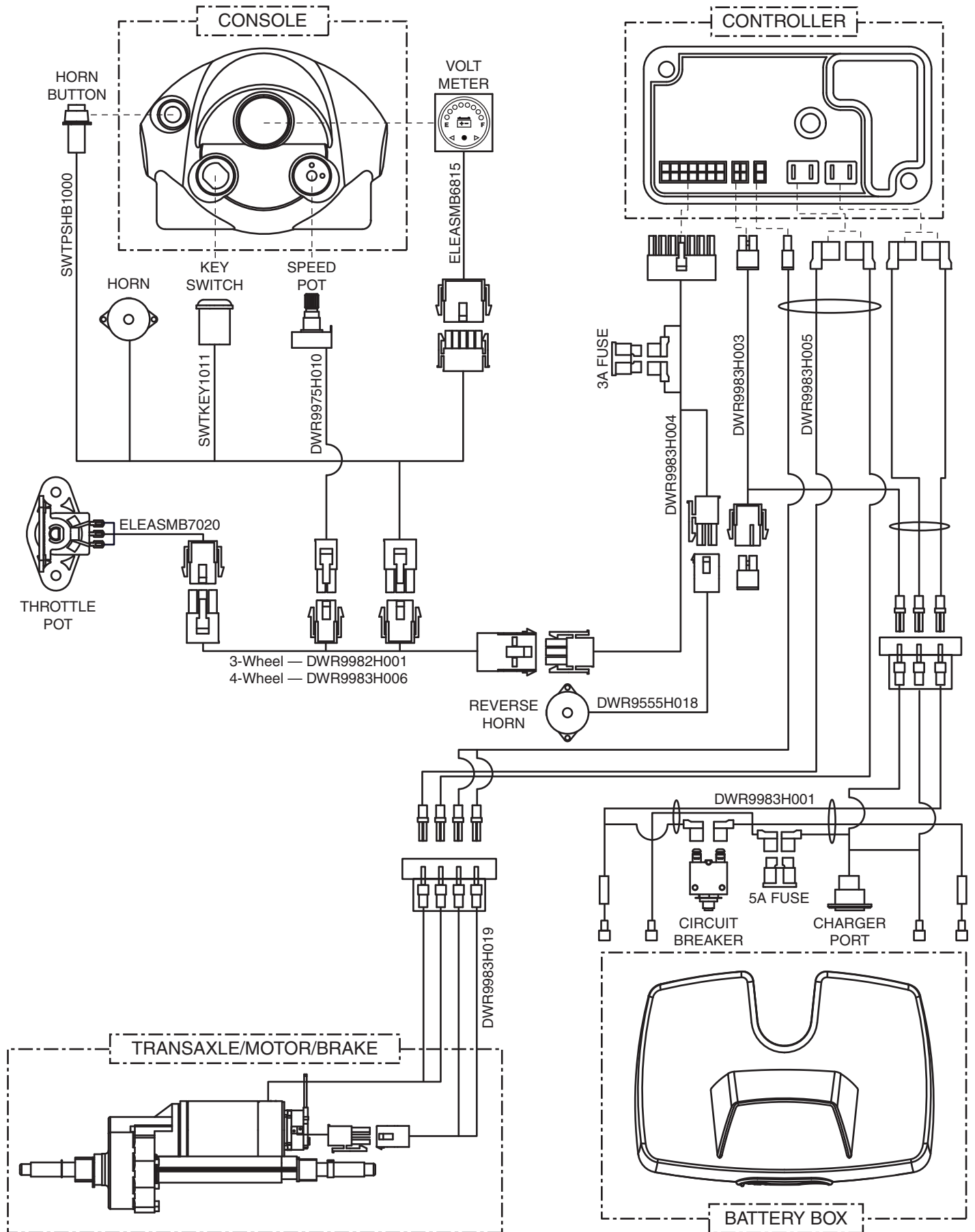
VIII. Decal Package — 4-Wheel

REF #	PART #	DESCRIPTION	QTY	Dealer \$	MSRP	11i
*N/A	DECASMB1868	DECAL,ASSY,GO-GO ULTRA X,4-WHEEL,12 AMP,UNITED STATES	1	N/A	N/A	
*N/A	DECINDV1211	DECAL,+/-,BATTERY HARNESS,L-1234-733	2	\$1.1	\$2.81	
*N/A	DECSERN1035	DECAL,SERIAL NUMBER,2" X 1.25",BARCODE,MADE IN CHINA,W/PRIDE LOGO	1	N/A	N/A	
*N/A	DWR1234L108	DECAL,ICON,CHARGE BATTERY BEFORE START,L-1234-108	1	\$1.16	\$2.96	
*N/A	DWR1234L336	DECAL,ICON,SCOOTER SEAT POST SETUP INSTRUCTIONS,L-1234-336	1	N/A	N/A	
*N/A	DWR1234L658	DECAL,SHOCK PREVENTION,BLACK VINYL,UV COATED,L-1234-658	1	\$1.1	\$2.81	
*N/A	DWR1234L766	DECAL,ICON,BATTERY CONNECTION DIAGRAM,12 AMP,L-1234-766	1	\$1.1	\$2.81	
*N/A	DWR1234L811	DECAL,ICON,DO NOT ADJUST ANTI-TIP,1.25" X 0.75",JAZZYSELECT,L-1234-811	2	\$1.1	\$2.81	
*N/A	DWR1234L810	DECAL,ICON,ELECTRONIC COMPONENTS DISPOSAL,L-1234-810	1	\$1.1	\$2.81	
*N/A	DWR1234L902	DECAL,LOGO,LEFT/RIGHT,GO GO ULTRA X,SC40X/44X,L-1234-902	2	N/A	N/A	
*N/A	DWR1234L923	DECAL,PINCH POINT,READ OWNERS MANUAL,L-1234-923	1	\$1.1	\$2.81	
*N/A	DWR1235L511	DECAL,PATENT PENDING,L-1235-511	1	\$1.1	\$2.81	
*N/A	DWR1235L515	DECAL,WARNING,BATTERY WARNINGS,L-1235-515	1	\$1.38	\$3.51	
*N/A	DWR1235L520	DECAL,CAUTION,EXTENSION CORD/GROUNDING PRONG,L-1235-520	1	\$1.38	\$3.51	
*N/A	DWR1235L551	DECAL,ISO,"AGM/GEL CELL/DOT CERTIFIED",L-1235-551	1	\$1.53	\$3.91	
*N/A	DWR1235L798	DECAL,ICON,FREEWHEEL OPERATION,L-1235-798	1	\$1.16	\$2.96	
*N/A	LAB120015	DECAL,NOT RATED FOR OCCUPIED TRANSPORT,SCOOTER	1	\$1.16	\$2.96	
*N/A	LAB120028	DECAL,DATA PLATE,GOGO ULTRA X (S44X)	1	N/A	N/A	
*N/A	LAB120048	DECAL,READ OWNER'S MANUAL,260 LB WEIGHT CAPACITY,LOOSE GARMENTS DECAL,GOGO	1	N/A	N/A	
*N/A	LAB146020	DECAL,GO-GO PHONE NUMBER AND WEBSITE REAR SHROUD	1	\$1.16	\$2.96	
*N/A	DGN145457	PRIDE BADGE,SMALL	1	N/A	N/A	

A. Electrical System Diagram — R-Series



A. Electrical System Diagram — S-Drive





Pride[®]

Mobility Products Corp.

www.pridemobility.com

Pride[®] Mobility Products Corporation

182 Susquehanna Avenue
Exeter, PA 18643
USA

Pride[®] Mobility Products Company

5095 South Service Road
Beamsville, ON L0R 1B3
Canada

Pride[®] Mobility Products Ltd.

32 Wedgwood Road
Bicester, Oxfordshire OX26 4UL
UK

Pride[®] Mobility Products Australia Pty. Ltd.

20-24 Apollo Drive
Hallam, Victoria 3803
Australia

Pride[®] Mobility Products New Zealand Ltd.

38 Lansford Crescent
Avondale
Auckland, New Zealand 1007

Pride[®] Mobility Products Italia S.r.l.

Via del Porgresso - ang. Via del Lavoro
Loc. Prato della Corte
00065 - Fiano Romano (RM)

Pride[®] Mobility Products Europe B.V.

Castricummer Werf 26
1901 RW Castricum
The Netherlands