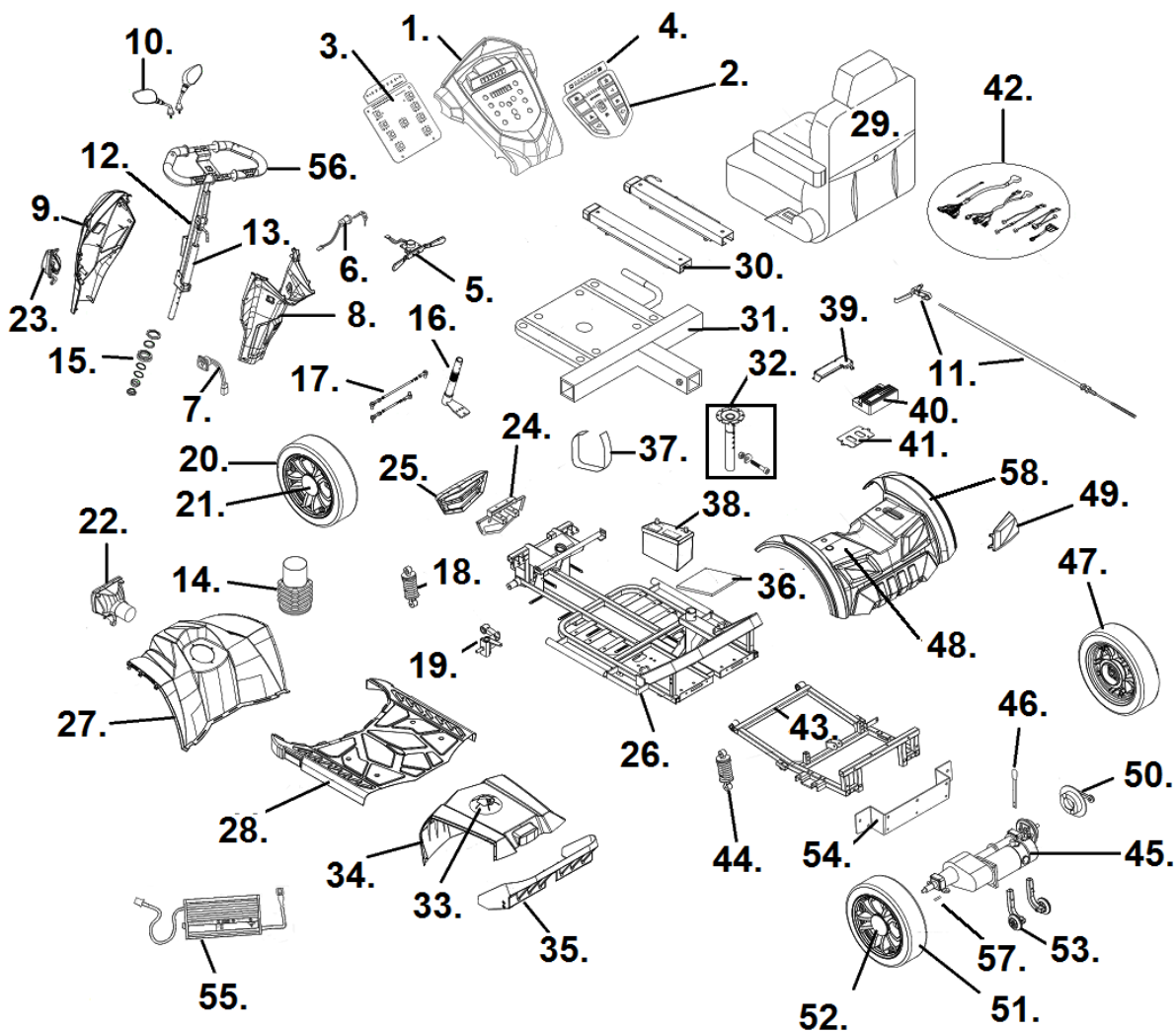


## COBRA GT4



- |  |   |
|--|---|
| 1. Upper Tiller Cover- S08-062-00165                 | 33. Seat Post Boot- C25-039-00100                     |
| 2. Control Panel Overlay- C10-062-00200              | 34. Main Battery Shroud- S08-062-00677                |
| 3. Tiller PC Board- C10-051-00507                    | 35. Rear Battery Shroud- C08-062-01600                |
| 4. Battery Indicator Overlay- C10-062-00300          | 36. Rubber Battery Pad- C25-022-00500                 |
| 5. Throttle- S12-051-00100                           | 37. Battery Strap- C31-029-00101                      |
| 6. Key Switch- C18-001-01501                         | 38. 70ah Battery (ea 2 needed)- LRC402407             |
| Key - C37-001-02300                                  | 39. Controller Cover- C26-051-00501                   |
| 7. Charger Port- C12-051-00200                       | 40. Controller - C10-029-00400                        |
| 8. Rear Tiller Cover- S08-062-00300                  | 41. Controller Holder- S10-062-00100                  |
| 9. Front Tiller Cover- S08-062-00477                 | 42. Wire Harness- S18-062-00400                       |
| 10. Mirror Set- S37-062-00177                        | Negative Battery Cable- C18-061-01602                 |
| 11. Hand Brake Assembly- S35-062-00100               | Positive Battery Cable- C18-061-01702                 |
| Brake Handle- C35-045-00300                          | 43. Rear Frame- S01-062-00200                         |
| Cable Assembly- S35-062-00300                        | 44. Rear Shock Absorber 1050#- C04-062-00200          |
| Brake Cable- C35-062-00101                           | 45. Motor-Brake-Transaxle Assy./Keyway- S09-062-00400 |
| 12. Delta Tiller Assembly- S02-062-00100             | Motor-Brake-Transaxle Assy./Spline **- C09-062-03101  |
| 13. Tiller Tilt Cylinder- C02-029-00200              | Transaxle with Keyway- C09-062-02100                  |
| 14. Tiller Boot- C25-052-00100                       | Transaxle with Spline **- C09-062-03201               |
| 15. Tiller Bearing Set- S02-001-00601                | Motor - C09-062-02000                                 |
| 16. "L" Steering Bracket- S03-029-00200              | Motor Brush- C09-022-02300                            |
| Steering Bracket Spacer- 9367120850752               | Motor Brush Cap- C09-022-02700                        |
| 17. Tie Rod Set- S03-062-00100                       | Electro-Magnetic Brake- C09-062-01100                 |
| 18. Front Shock Absorber 150#- C03-062-00300         | Motor Transaxle Coupler- S31097GT                     |
| 19. Shock Absorber Arm Assy. Rt.- C03-022-02108      | 46. Free Wheel Lever- C09-062-00903                   |
| Shock Absorber Arm Assy. Lt.- C03-022-02208          | 47. Rear Wheel Assy. 8" Rim Right *- S06-062-00700    |
| 20. Front Wheel Assembly 8" Rim *- S05-062-00300     | Rear Wheel Assy. 14" Rim Right -                      |
| Tire 8" Rim (front or rear)- C06-051-00100           | With Keyway- S06-062-00100                            |
| Tube 8" Rim (front or rear)- C06-051-00201           | With Spline **- S06-062-00800                         |
| Front Wheel Assy. 14" Rim *- S05-062-00100           | 48. Rear Shroud - S08-062-00577                       |
| Tire 14" Rim (front or rear) (50 psi)- C05-063-00202 | 49. Rear Signal Light Right- C14-062-00201            |
| Tube 14" Rim (front or rear)- C05-062-00500          | Rear Signal Light Left- C14-062-00301                 |
| Front Wheel Bearing- STDS2A5303                      | 50. Brake Pad Assy. 8" Rim *- C06-062-00402           |
| 21. Hub Cap 8" Rim- C26-060-00501 *                  | Brake Pad Assy. 14" Rim *- C06-022-02600              |
| Hub Cap 14" Rim- C05-047-00600 *                     | 51. Rear Wheel Assy. 8" Rim Left. *- S06-062-00600    |
| 22. Headlight Assembly- C13-062-00100                | Tire 8" Rim (front or rear)- C06-051-00100            |
| Bulb- C13-062-01300                                  | Tube 8" Rim (front or rear)- C06-051-00201            |
| 23. Front Signal Light Right- C15-062-00102          | Rear Wheel Assy. 14" Rim Left-                        |
| Front Signal Light Left- C15-062-00502               | With Key Way- S06-062-00200                           |
| 24. Front Bumper & Bracket- C01-062-00300            | With Spline **- S06-062-00900                         |
| 25. Front Bumper Cover- C08-062-00501                | Tire 14" Rim (front or rear) (50 psi)- C05-063-00202  |
| 26. Front Frame- S01-062-00100                       | Tube 14" Rim (front or rear)- C05-062-00500           |
| 27. Front Shroud- S08-062-00277                      | 52. Hub Cap 8" Rim- C26-060-00501 *                   |
| 28. Middle Shroud (w/o reflectors)- S08-062-00777    | Hub Cap 14" Rim- C05-047-00600 *                      |
| Reflector (ea)- C24-062-00200                        | 53. Anti-Tipper Set (pr)- S28-062-00100               |
| 29. 20" Seat Assembly/Arms- S07-062-00100            | 54. Rear Bumper- C01-062-01201                        |
| 22" Seat Assembly/Arms- S07-062-00200                | 55. Charger - C12-005-00800                           |
| Headrest Only- C07-062-00400                         | Charger AC Power Cord- SF9056                         |
| Arm Assembly Left- C07-061-01700                     | 56. Handle Bar (fits Lf. Or Rt.)- C02-062-00101       |
| Arm Assembly Right- C07-061-01800                    | 57. Motor Key Way- 29002W7011                         |
| Arm Pad- C07-061-01900                               | 58. Rear Shroud Decoration Left- C08-062-02077        |
| 30. Seat Slides- C07-016-00600                       | Rear Shroud Decoration Right- C08-062-02177           |
| 31. Seat Plate- C07-062-00202                        |   |
| 32. Seat Post- C07-005-00900 ***                     |   |
| Seat Post Bolt- C07-005-FSPBOLT                      |   |

\* 8" rim used on serial number 2W13102000073 and before.

\*\* Serial number P166233 and newer.

\*\*\* When stock is gone use C07-062-00600.