

# *GLOBAL LIFT CORP*



**Owner's Manual**

**Rotational Series**

**R-450R**



684 N Port Crescent Rd  
Suite C

Bad Axe, MI 48413

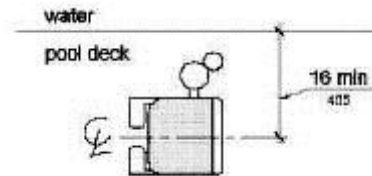
Toll Free: 866-712-0606

Fax: 989-269-5902

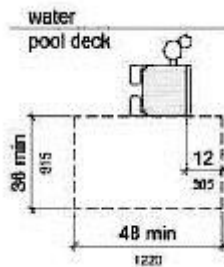
[www.globalliftcorp.com](http://www.globalliftcorp.com)

## ADA GUIDELINES FOR POOL LIFT PLACEMENT

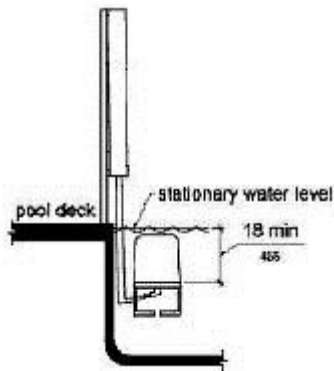
1. Pool Lift Location. Pool lifts shall be located where the water level does not exceed 48 inches (1220 mm).
2. Seat Location. In the raised position, the centerline of the seat shall be located over the deck and 16 inches (405 mm) minimum from the edge of the pool. The deck surface between the centerline of the seat and the pool edge shall have a slope not steeper than 1:48.



3. Clear Deck Space. On the side of the seat opposite the water, a clear deck space shall be provided parallel with the seat. The space shall be 36 inches (915 mm) wide minimum and shall extend forward 48 inches (1220 mm) minimum from a line located 12 inches (305 mm) behind the rear edge of the seat. The clear deck space shall have a slope not steeper than 1:48.



4. Submerged Depth. The lift shall be designed so that the seat will submerge to a water depth of 18 inches (455 mm) minimum below the stationary water level. To make sure the lift has enough clearance the lift should be installed at a location with 48" of Water depth



## *24 VOLT BATTERY SYSTEMS WITH CONTROLS*

All of Global Lift Corp's Rotational Series Lifts are equipped with a sealed 24 volt battery that is rechargeable. Along with a charging unit, hand held controller and control compartment. The 24 volt battery mounts right above the control compartment and the battery simply snaps in. The battery should be charged for 5-8 hours prior to the 1<sup>st</sup> use.

The unit is operated by the 4 button easy to use controls. Staff will use the provided key to unlock the lift. The lock feature is located on the hand controls or front of the control box. Insert the key provided and turn to unlock the unit for use. (Avoid turning the key farther than 45 degrees as it will damage the key) Once unlocked, the arrow pointing down will lower the lift when depressed, the arrow that points up will raise the unit when depressed and the bottom arrows will rotate the lift from left to right. If you hear the low battery indicator tone "Do Not Use the Lift" remove the battery from the unit and recharge the battery.

### RECHARGING THE BATTERY:

Remove battery from the unit by unclipping from the control compartment. Place the battery in the charging unit. When the battery is charging the light will be illuminated, once fully charged the charge light will go off and then the battery is ready for use in your Rotational Series pool lift.



## ***ROTATIONAL SERIES POOL LIFT OPERATING INSTRUCTIONS***

Prior to using the Rotational Series Pool Lift, perform a test run of the lift empty. Once that is completed and the lift is back to original position, make sure that the arm lifts are in the up position and the seatbelt is unbuckled, once acknowledged you are ready!

Once you are in the seat, buckle the seatbelt (make sure it is snug) and lower the arm rails. Before you attempt to operate the lift, make sure the pathway is clear from any obstacles.

Once you have the 4 button easy controls in your hand, press the Left or Right arrow that specifies which direction you want the lift to move in, once over the water press the down arrow to lower the lift into the pool, keep in mind you don't have to go to the bottom of the cycle, you can stop the lift whenever you deem comfortable to exit the lift. However when exiting the pool while on the lift, you should complete the cycle back to the top to have a completely safe exit from the pool.

Once submerged into the pool, unbuckle the seatbelt and raise the armrest and slide off of the seat. Once you are done with your pool activity, make sure the seat is lowered sufficiently to allow you too easily slide back into the chair. Once you are seated, buckle the seatbelt and make sure that it is snug, lower the armrest.

Next, to raise the lift chair out of the pool, make sure you press the button/arrow that represents up on the control. Apply continuous pressure until the lift comes to a complete stop at the end of the complete up cycle and then press the left or right arrow to return to the pool deck. You now can unbuckle the seatbelt and raise the arm rest and exit the unit. Staff will turn the key on the hand control or front of the control panel to relock the lift when the pool is not in operation.



## Global Lift Corp Warranty Information

The **Commercial**, **Proformance**, and **Rotational** series lifts have a **Lifetime Limited Warranty** on the metal components of the frame, not including the powder coating process. The **Superior** series lift has a 5 year structural limited warranty. Global Lift Corp warrants to the original retail end user only products manufactured by Global Lift Corp, when properly installed in accordance to the assembly and installation instructions, and when the equipment is properly *used and maintained, be free from material defects and workmanship as stated below:*

- Warranty starts from date of original purchase
- Metal structure (not including powder coat) – Lifetime Limited (**Commercial/Proformance/Rotational Series**)
- Metal structure (not including powder coat) 5 year limited structural warranty (**Superior Series**)
- Actuator and controls – 2 years from date of purchase then 2 years prorated
- Actuator and controls – 3 years 50% coverage (Customer is responsible for 50% of replacement cost)
- Actuator and controls – 4 years 30% coverage (Customer is responsible for 70% of replacement cost)
- Battery – 1 year from date of purchase

*This warranty does not cover damages to **ANY** of our lifts due to accident, abuse, negligence, misuse, damage by improper use of chemicals, fading, ice damage, fire, rust beyond structural damage( does not cover cosmetic rust), exceeding the weight capacity for model purchased, failure to install or to assemble the product in accordance with the installation and assembly instructions, normal wear and tear from day to day use, not maintained properly, if unit is altered or repaired without written approval of Global Lift Corp – All Warranties are Void.*

# ROTATIONAL SERIES R-450R LIFT NEW CONSTRUCTION & SAW CUT SLEEVE ANCHORING SYSTEM INSTALLATION MANUAL



Prior to installing, please make sure you have filled out a Deck Configuration Form to make sure you have the correct lift that fits Your application.



New Construction/Saw Cut Sleeve  
Anchor R-450R

FEB 2012

# ROTATIONAL SERIES

## R-450R

# SLEEVE ANCHORING SYSTEM INSTALLATION

## PARTS LIST

- ✓ 1 - Anchor Sleeve w/ Base
- ✓ 1 - Binding Screw
- ✓ 1 - Plastic Cap



# **ANCHORING SLEEVE, BASE PLATE & BINDING SCREW R-450R**



FEB 2012

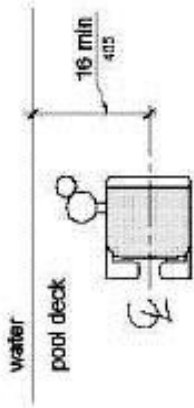
New Construction/Saw Cut Sleeve  
Anchor R-450R



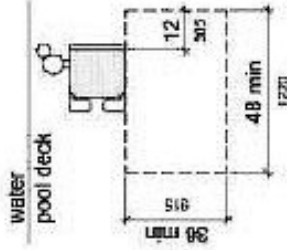


## ADA GUIDELINES FOR POOL LIFT PLACEMENT

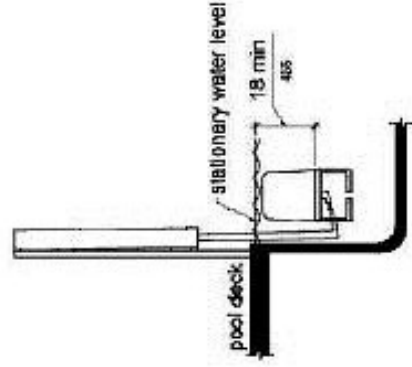
- Pool Lift Location. Pool lifts shall be located where the water level does not exceed 48 inches (1220 mm).
- Seat Location. In the raised position, the centerline of the seat shall be located over the deck and 16 inches (405 mm) minimum from the edge of the pool. The deck surface between the centerline of the seat and the pool edge shall have a slope not steeper than 1:48.



- Clear Deck Space. On the side of the seat opposite the water, a clear deck space shall be provided parallel with the seat. The space shall be 36 inches (915 mm) wide minimum and shall extend forward 48 inches (1220 mm) minimum from a line located 12 inches (305 mm) behind the rear edge of the seat. The clear deck space shall have a slope not steeper than 1:48.



- Submerged Depth. The lift shall be designed so that the seat will submerge to a water depth of 18 inches (455 mm) minimum below the stationary water level.

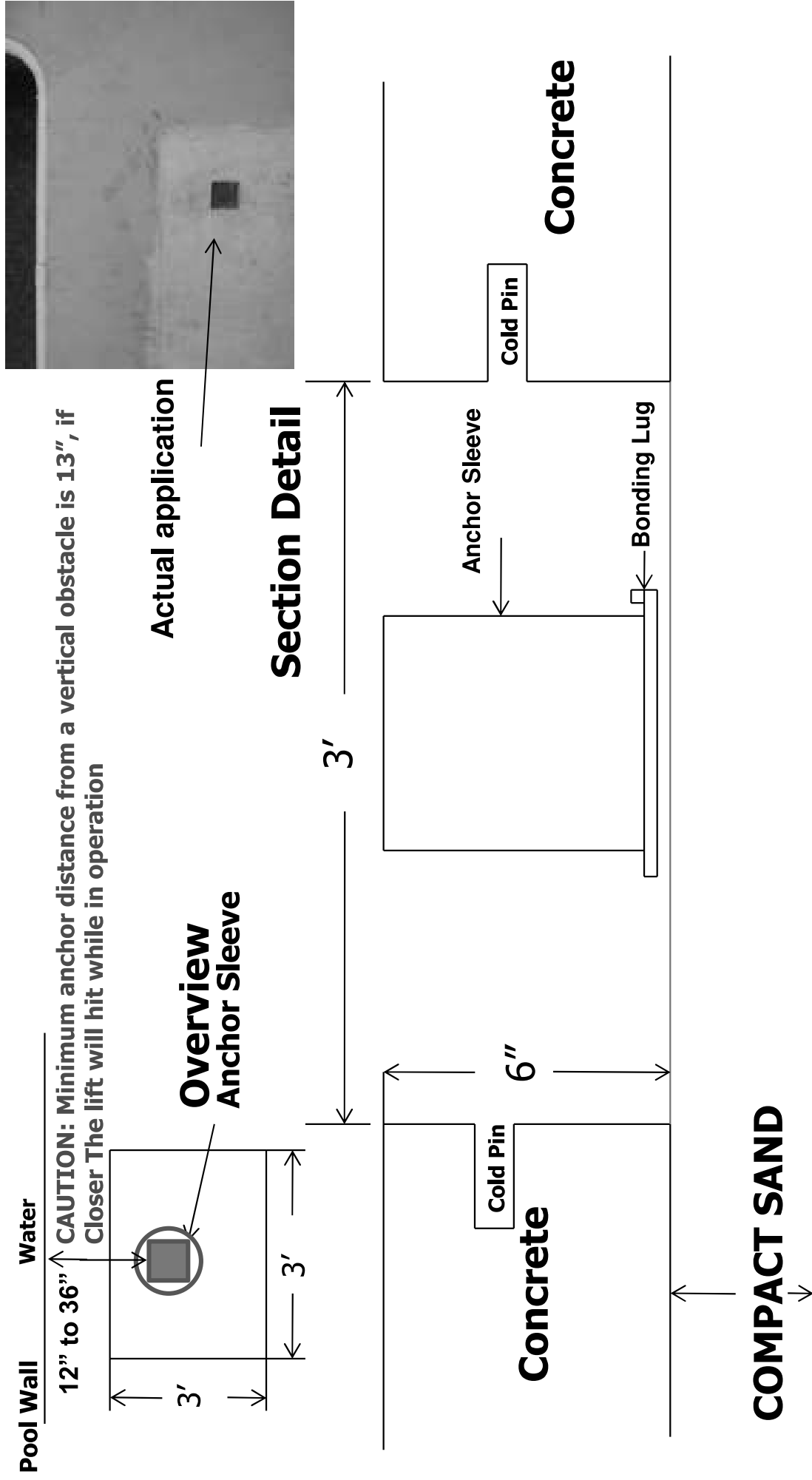


FEB 2012

New Construction/Saw Cut Sleeve  
Anchor R-450R



# ROTATIONAL SERIES R-450R – SLEEVE ANCHORING SYSTEM



Front of Anchor Sleeve must be 12" to 36" from the water's edge or 13" min if an obstacle is present before the water. Attach copper wire to the binding screw and then to your bonding grid  
 Cold Pin's should be 1/2" rebar 6" to 8" long

**NOTE: Make sure your anchor sleeve is level and square with your pool's edge.**

New Construction/Saw Cut Sleeve  
 Anchor R-450R

FEB 2012



## INSTALLATION STEPS

Step 1: Determine the location for installation (Make sure all ADA requirements are met)

Step 2: Make sure that all the parts are present (Refer to the parts list)

- ✓ 1 - Anchor Sleeve w/ Base
- ✓ 1 - Binding Screw
- ✓ 1 - Plastic Cap

Step 3: At the determined location for installation, chalk out a 3' X 3' area prior to cutting out the concrete. (Refer to overview, the front end of the Anchor Sleeve must be 12" to 36" from the water's edge or an obstacle that is present before the water and 6" deep). New Construction, the concrete must be 6" deep with a 1/2" reinforcing rod, minimum of an 18" grid.

**NOTE: Make sure that all local codes and ordinances are met.**

Step 4: Once the 3' X 3' area is cut out, make sure you drill in the inner wall of all 4 sides of the area (refer to the section detail) for the purpose of cold pinning the new concrete to the old concrete. Use 1/2" rebar, 6" to 8" in length.



Step 5: Place the Anchor Sleeve in the cut out area, make sure that the front of the Anchor Sleeve is 12" (min) to 36" (max) from the water's edge or 13" min if an obstacle is present before the water. (refer to overview) A key element is to make sure that the Anchor Sleeve is level and square with the pool so that your Rotational Series Lift sits properly on the deck.  
**NOTE: The lift will reach 48" from the anchor. If you place the anchor sleeve 12" from the pools edge or an obstacle, the lift will reach 36" out into the water. If you were to place the anchor sleeve 36" from the pools edge, the lift will only reach 12" into the water.**

Step 7: Bonding the unit – A binding screw is supplied with the Anchor Sleeve, locate the binding screw, connect the binding screw to the bonding grid.

**NOTE: Make sure that all local codes and ordinances are met.**

Step 8: Pour in your concrete, (make sure you cover the hole on your anchor sleeve with the plastic cap provided, so you don't get concrete in the sleeve) a minimum of 4,000 psi concrete with reinforcing rod. Also make sure that the top of the anchor sleeve is flush with the deck. Before you install your lift make sure you let the concrete set up for 48 hours.

Step 9: After the concrete has set for 48 hours, now it's time to install your lift. Place your Rotational Series Lift over the anchor sleeve, once you have completed the installation, please refer to User's Manual for a safe operation.

# ROTATIONAL SERIES R-450R LIFT RETRO-FIT SLEEVE ANCHORING METHOD INSTALLATION MANUAL



Prior to installing, please make sure you have filled out a Deck Configuration Form to make sure you have the correct lift that fits Your application.

# RETRO-FIT SLEEVE ANCHORING SYSTEM ROTATIONAL R-450R SERIES LIFT

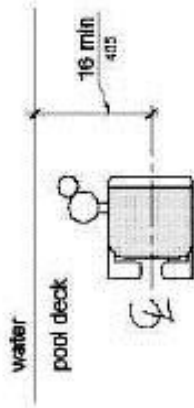
## PACKING LIST

- 1 – Anchor Sleeve w/ Base
- 1 – Binding Screw
- 1 – Plastic Cap

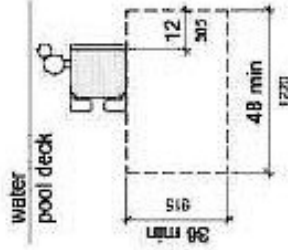


## ADA GUIDELINES FOR POOL LIFT PLACEMENT

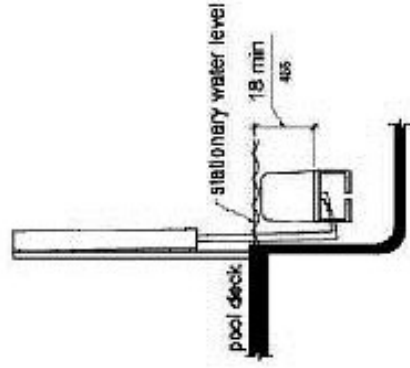
- Pool Lift Location. Pool lifts shall be located where the water level does not exceed 48 inches (1220 mm).
- Seat Location. In the raised position, the centerline of the seat shall be located over the deck and 16 inches (405 mm) minimum from the edge of the pool. The deck surface between the centerline of the seat and the pool edge shall have a slope not steeper than 1:48.



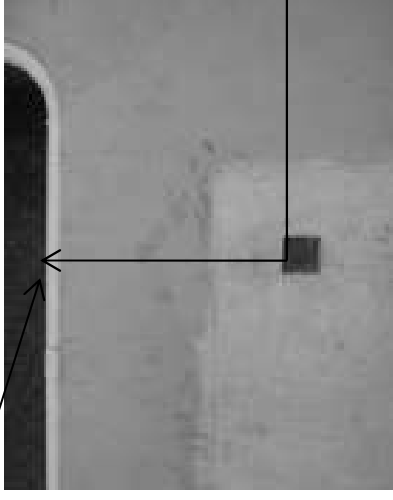
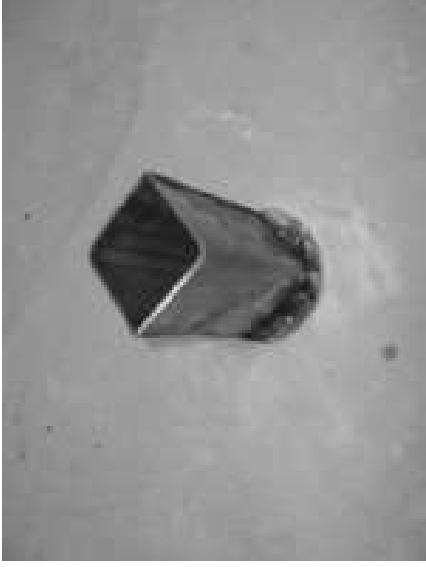
- Clear Deck Space. On the side of the seat opposite the water, a clear deck space shall be provided parallel with the seat. The space shall be 36 inches (915 mm) wide minimum and shall extend forward 48 inches (1220 mm) minimum from a line located 12 inches (305 mm) behind the rear edge of the seat. The clear deck space shall have a slope not steeper than 1:48.



- Submerged Depth. The lift shall be designed so that the seat will submerge to a water depth of 18 inches (455 mm) minimum below the stationary water level.



**CAUTION: Minimum anchor distance from a vertical obstacle is 13" , if Closer The lift will hit while in operation**



Front Edge of  
Anchor Sleeve

Picture A

Picture B

**STEP 1:** Locate the retro-fit anchoring sleeve (as shown above) picture A

- Once you determine where your lift is going to be located at your pool, place the anchor sleeve down So you can mark a circle around the base on the concrete where you will need to drill the hole. **NOTE:** From the pools edge or an obstacle the minimum distance is 12" and the maximum is 36" from the front of the anchor sleeve. See picture B

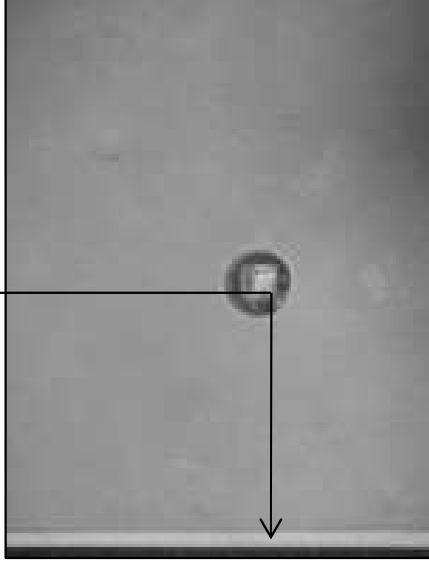
**\*\*\*NOTE:** The installation of Global Lift Corp's anchor system's are a guideline of minimum requirements. In some states or municipalities they may require additional steps due to their local codes or ordinances.\*\*\*





Picture A

Front edge of anchor sleeve



Picture B

Measure Distance to  
make sure it's 12"  
minimum and 36"  
maximum from  
Water's edge or if an  
obstacle is present  
before the water  
13" minimum

**Step 2:** You will need a 5" diameter core drilling bit.

- Make sure you have accurately marked your hole location to be drilled. After drilling Your hole (picture A), it must be 6" deep and flat on the bottom of the hole (shown above). Also Double check your measurements they should be: Place your anchor sleeve in the hole And make sure the front edge of the sleeve is in between 12" minimum distance and 36" Maximum distance from pools edge or 13" min if an obstacle is present before the water, along with connecting the binding screw to the bonding grid according to the local code and ordinances.



**STEP 3 : Cementing the anchor sleeve in the concrete.**

- You will need 10 lbs of Quick dry Anchoring Cement (Commercial Grade Quikrete Exterior Use Anchoring Cement) to complete the installation. You can purchase at any hardware store in your area. Read the label and follow manufacturer’s instructions.
- Start pouring into the hole evenly until you fill it up, make sure not to overflow the Hole so that it does not create more work to scrap excess concrete off.
- Let the concrete set for 24hrs, sand stone to smooth the finish. Make sure the anchor sleeve is flush with the concrete
- You are now ready to install your Rotational Series lift.

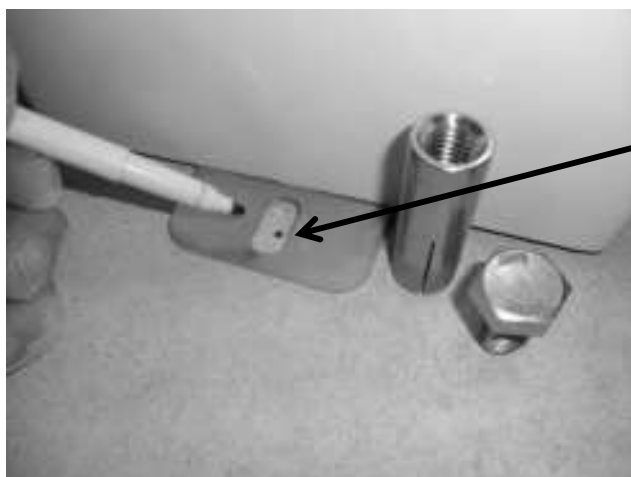
## Fixed Anchor R-450A & R-450R



Locate the tab and drop in anchor



Place the tab on the metal plate



Mark the spot where you will drill

Now mark the concrete so you will know where to drill

## Fixed Anchor Installation Instructions

### R-450A & R-450R

1. Always wear safety goggles.
2. Follow the drill manufacturer's safety instructions.
3. Use only solid carbide-tipped bits meeting the ANSI B94-12 tip diameter (Use 5/8 dia drill bit).
4. Drill the hole perpendicular to the work surface. To assure full holding power do not ream the hole or allow the drill to wobble.
5. Drill the whole as deep as full length of anchor (2" deep) but not closer that two anchor diameters to the bottom (opposite surface of the concrete).
6. Clean the hole using compressed air and a wired brush. A clean hole is necessary for proper performance.
7. Drop anchor in hole and tap flush with surface (anchor can be set flush with base material or sub-set)
8. Using setting tool; set the drop in with several sharp hammer blows until expansion plug bottoms out in hole.



Setting tool shown

9. Position the fixture.
10. Insert bolt and tighten

# GLOBAL LIFT CORP INSTALLATION MANUAL (Out of the Box) R-Series R-450R Lifts Series Lifts



International  
Organization for  
Standardization

# GLOBAL LIFT CORP INSTALLATION MANUAL (Out of the Box)

## PARTS LIST

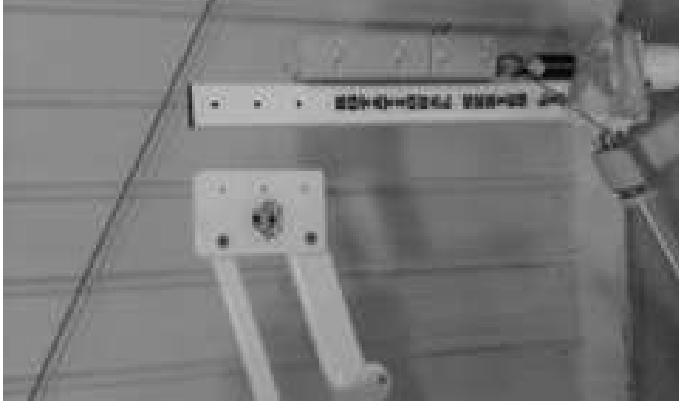
- 1 Part A – Main Unit with Actuator (assembled)
- 1 Part B – Horizontal Dual Bar Beam (assembled)
- 1 Part C – Seat Bar
- 1 Part D - Seat
- 1 Part E – Foot Rest

## Tools Needed:

- (2) 9/16 inch wrench
- (2) ¾ inch wrench
- (1) Rubber Mallet



# INSTALLATION STEPS



Picture 1

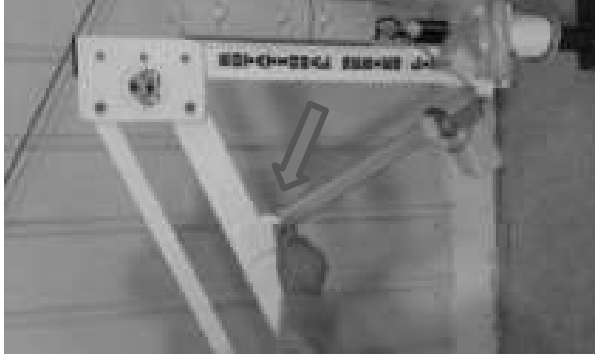
- Part A Main Beam with Motor (assembled)
- Part B Horizontal Dual Bar Assembly (assembled)
- Part C Seat Bar
- Part D Seat
- Part E Foot Rest and Tube
- 3 - 5/16" x 3" Bolt with Lock nut

## Step 1:

Attach the Horizontal Dual Bar Assembly to the Main Beam ensuring the actuator Tab (arrow above) is closest to the main beam.



# INSTALLATION STEPS



Picture 2



Picture 3



Picture 4

Step 2:

Attach Actuator to the Duel bar beam using bolt in beam picture 2

Attach Part B beam to the Part C seat bar tube using the bolts that are in the tube Picture 3 & Picture 4.

Step 3:

Continue to seat assembly instructions. (If not pre-assembled)



# GLOBAL LIFT CORP CUSTOM SEAT INSTALLATION MANUAL R-Series Lifts Series Lifts



International  
Organization for  
Standardization

# GLOBAL LIFT CORP CUSTOM SEAT INSTALLATION MANUAL

## PARTS LIST

- 1 - Seat
- 1 - Foot Rest
- 2 - Arm Rests
- 1 - Seat Belt & Buckle
- 3 - 5/16 x 3" Attaching Pin with lock nut
- 1 - 5/16 x 2" Foot Rest attaching bolt w/ nut
- 1 - 2" Round cap
- 1 - 1" Round cap



# INSTALLATION STEPS



Picture A

## Step 1:

Unpack your custom seat (picture A). Loose Items will consist of:

- Foot Rest and Tube
- 3 - 5/16" x 3" Bolt with Lock nut

# INSTALLATION STEPS



Picture A

Step 2:  
Align your custom seat (Picture A), With 3 pre-drilled holes as shown.



Picture B

Step 3:  
Once you have the seat in place, take one 5/6" x 3" bolt and slide it through the pre-drilled Holes (Picture B). Once you have inserted the bolt all the way through, apply the locking nut (supplied) and tighten down.

## INSTALLATION STEPS



### Step 4:

Locate the other 2- 5/16 x 3" securing bolts (supplied), insert the bolt through the pre-drilled Seat and tube holes (As shown Above). Once you have the bolts inserted, secure the installation With the lock nuts that are provided and tighten down.

# INSTALLATION STEPS

## FOOT REST



Picture A



Picture B

### Step 5:

In picture A, slide the foot tube through the foot rest sleeve and line the hole to the Slot. In picture B, locate the 5/16" x 2" bolt and insert into the pre-drilled holes to secure the foot rest to the lift. Place the lock nut on the bolt and tighten down. Once that is complete, you are ready to enjoy your Global Lift Corp pool lift.

REV.

DESCRIPTION

DATE

APVD.



MATERIAL:

SCALE:	REV: 100	DATE: 10/25/2013	DWR: B.E.
WEIGHT: LBS	MACH WEIGHT: LBS	APVD BY: J.I.	

TITLE:

R-450R

DO NOT SCALE DRAWING  
UNLESS OTHERWISE SPECIFIED  
DIMENSIONS ARE IN INCHES  
TOLERANCES ARE:

X. = ±.125  
XX. = ±.062  
XXX. = ±.031

FRACTIONAL DIMENSIONS ±.125  
FILLET RADIUS .000 THRU .250  
HOLES .000 THRU .015  
ANGLES ± 1 DEGREE

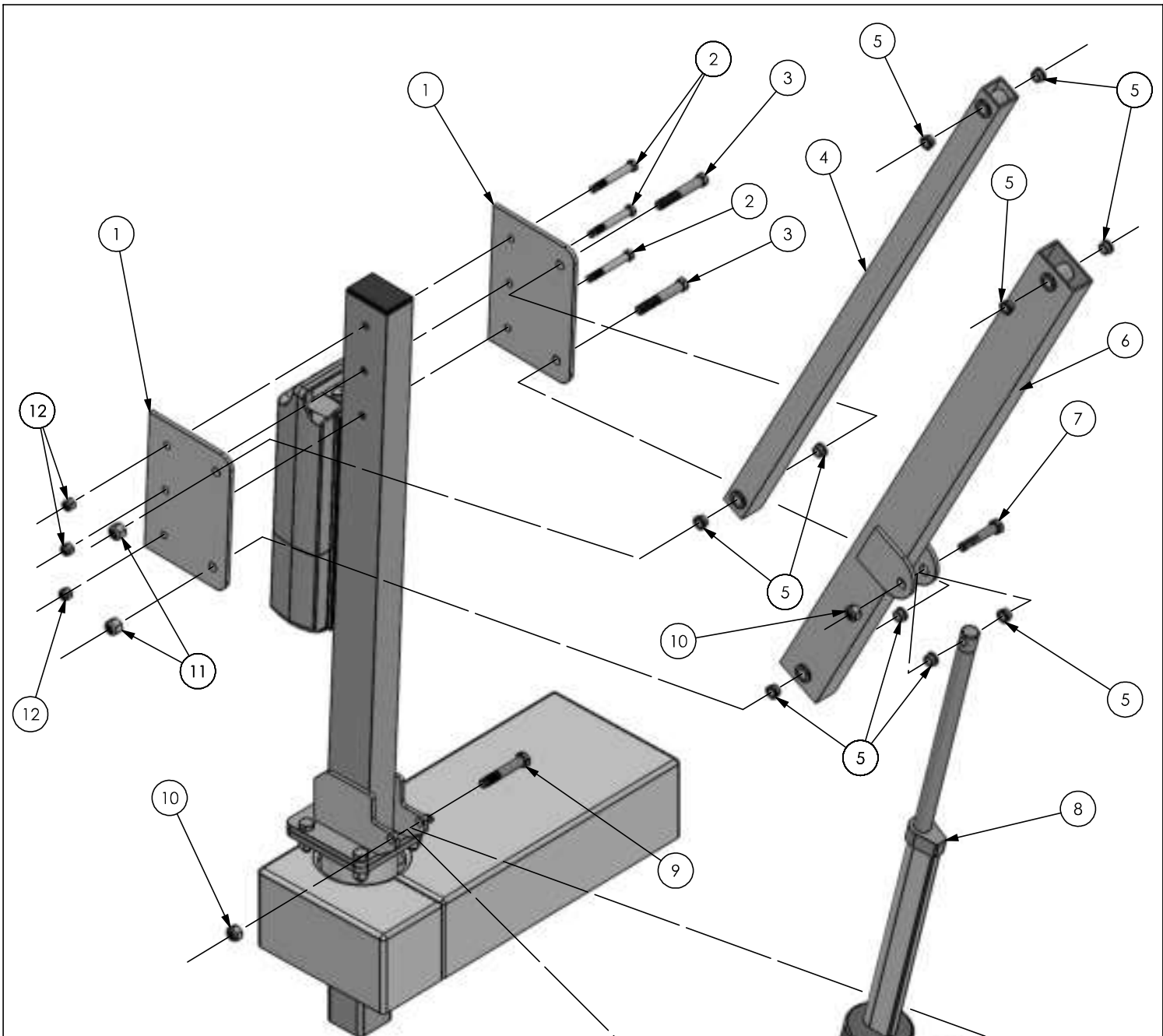
PROPRIETARY AND CONFIDENTIAL

THE INFORMATION CONTAINED IN THIS DRAWING IS THE SOLE  
PROPERTY OF Global Lift Corporation. ANY REPRODUCTION IN  
PART OR AS A WHOLE WITHOUT THE WRITTEN PERMISSION OF  
Global Lift Corp. IS PROHIBITED.

684 N. Port Crescent, Suite C  
Bad Axe, MI 48413

DWG. NO.

ASSEMBLY MANUAL



ITEM NO.	PART NUMBER	DESCRIPTION	QTY.
1	RS-002R	PLATE	2
2	BOLT375-16-3	BOLT	3
3	RGLC-5 x 3.25	BOLT	2
4	RS-008R-0	UPPER ARM	1
5	BUSH50-375	BUSHING	12
6	RS-007R-0	LOWER ARM	1
7	BOLT-M12-65	BOLT	1
8	RGLCLAU-1	ACTUATOR	1
9	BOLT-M12-70	BOLT	1
10	NUT-M12	NUT	2
11	NUT5-13	NUT	2
12	NUT375-16-2	NUT	3

SCALE:      REV: 100      DATE: 10/28/2013      DWR: B.E.  
 WEIGHT: LBS      MACH WEIGHT: LBS      APVD BY: J.I.

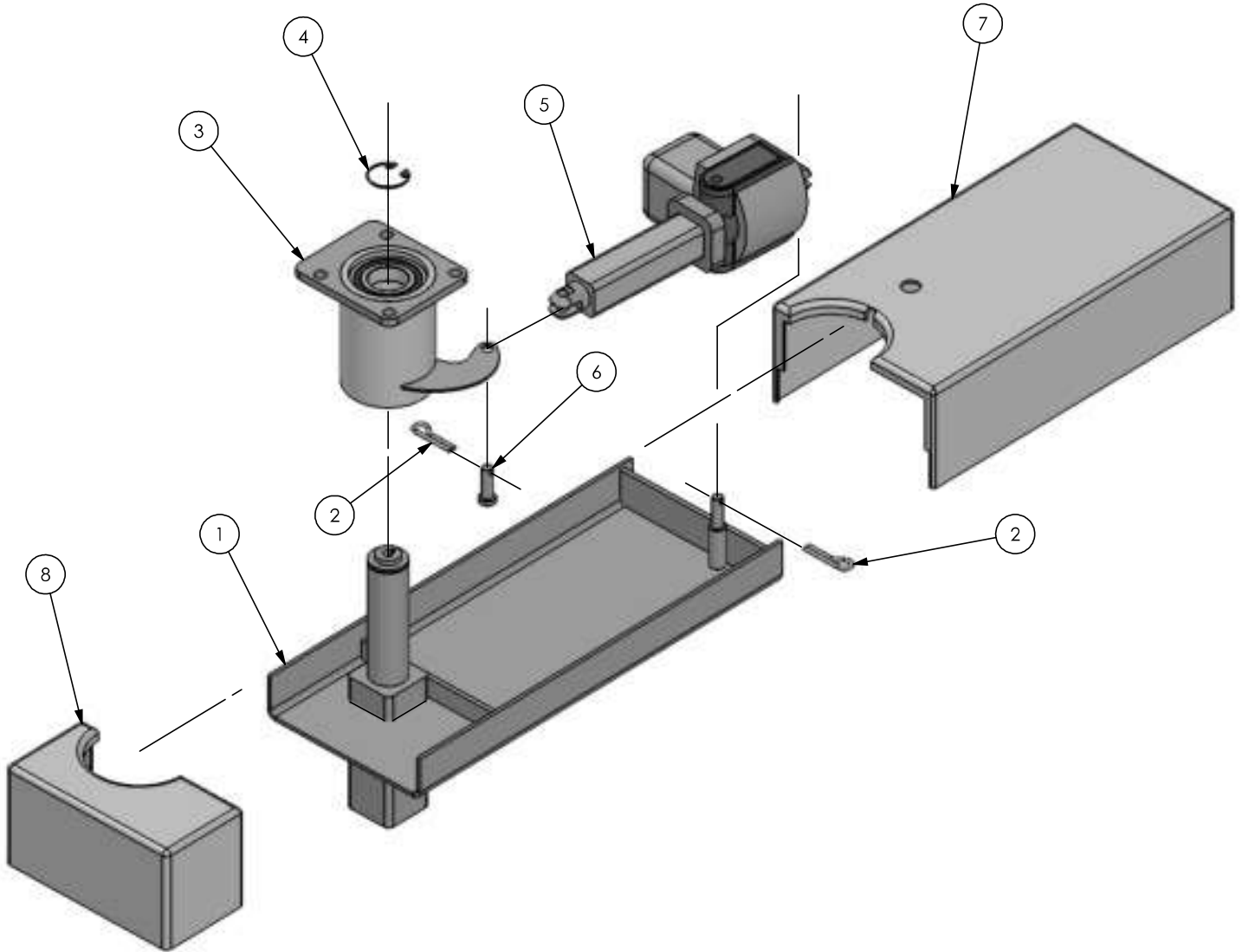
DO NOT SCALE DRAWING  
 UNLESS OTHERWISE SPECIFIED  
 DIMENSIONS ARE IN INCHES  
 TOLERANCES ARE:  
 X. = ±.125  
 XX. = ±.062  
 XXX. = ±.031  
 FRACTIONAL DIMENSIONS ±.125  
 FILLET RADIUS .006 THRU #.250  
 HOLES .000 THRU .015  
 ANGLES ± 1 DEGREE

PROPRIETARY AND CONFIDENTIAL  
 THE INFORMATION CONTAINED IN THIS DRAWING IS THE SOLE  
 PROPERTY OF Global Lift Corporation. ANY REPRODUCTION IN  
 PART OR AS A WHOLE WITHOUT THE WRITTEN PERMISSION OF  
 Global Lift Corp. IS PROHIBITED.

684 N. Port Crescent, Suite C  
 Bad Axe, MI 48413

TITLE:                      R-450R  
                                   ACTUATOR, ARMS  
 DWG. NO.                ASSEMBLY MANUAL





ITEM NO.	PART NUMBER	DESCRIPTION	QTY.
1	RS-006R-0	BASE PLATE	1
2	RGLCPIN	PIN	2
3	RS-003R-0	HUB	1
4	RGLCSR-1	SNAP RING	1
5	RGLCACT150MM	ACTUATOR	1
6	RGLCPIN-1	PIN	1
7	RGLCMBC-1	COVER	1
8	RGLCMBC-2	COVER	1

MATERIAL:

SCALE:	REV: 100	DATE: 10/25/2013	DWR: B.E.
WEIGHT: LBS	MACH WEIGHT: LBS	APVD BY: J.I.	

DO NOT SCALE DRAWING  
UNLESS OTHERWISE SPECIFIED  
DIMENSIONS ARE IN INCHES  
TOLERANCES ARE:  
X. = ±.125  
XX. = ±.062  
XXX. = ±.031  
FRACTIONAL DIMENSIONS ±.125  
FILLET RADIUS .000 THRU .125  
HOLES .000 THRU .015  
ANGLES ± 1 DEGREE

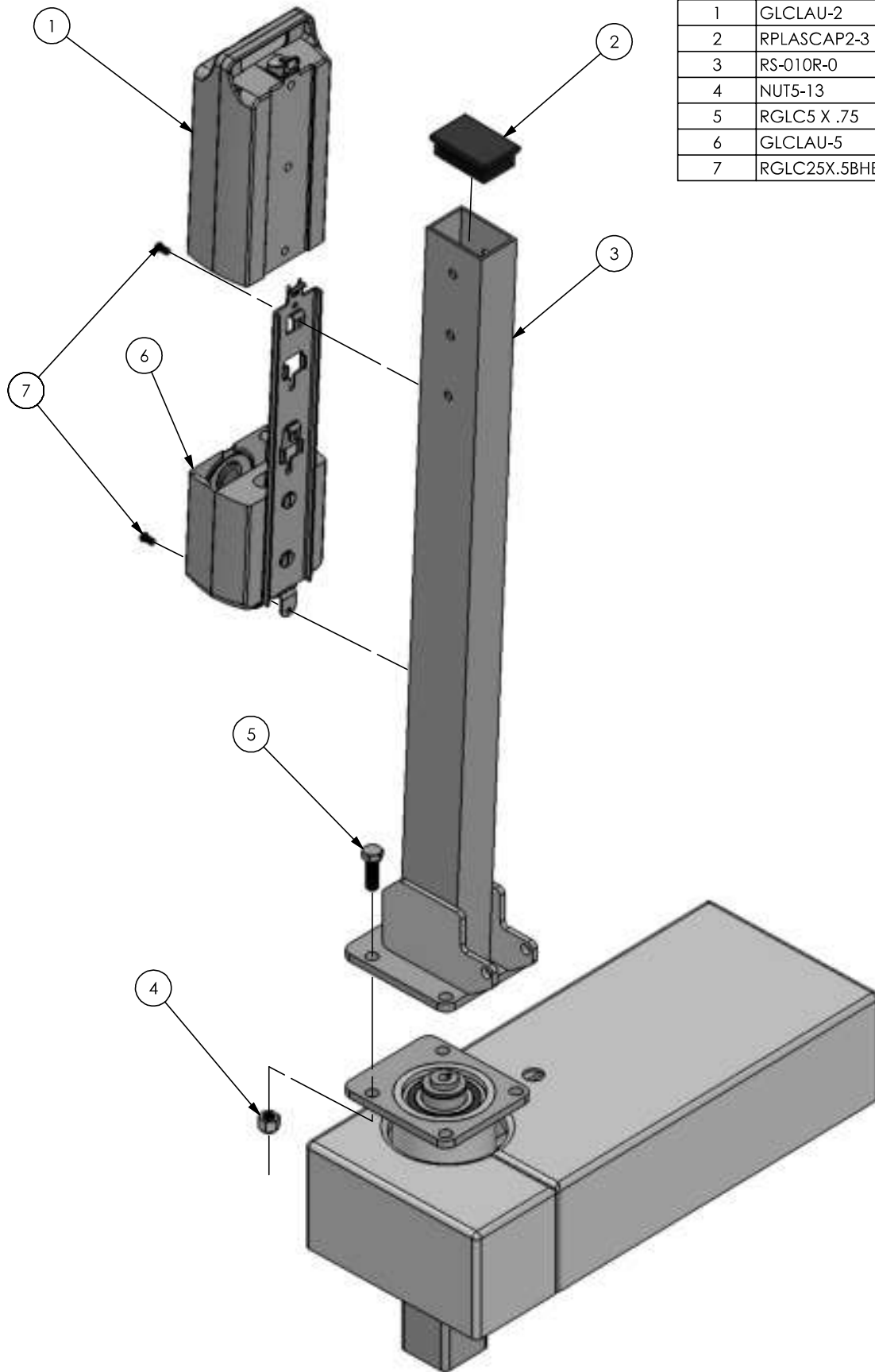
PROPRIETARY AND CONFIDENTIAL  
THE INFORMATION CONTAINED IN THIS DRAWING IS THE SOLE  
PROPERTY OF Global Lift Corporation. ANY REPRODUCTION IN  
PART OR AS A WHOLE WITHOUT THE WRITTEN PERMISSION OF  
Global Lift Corp. IS PROHIBITED.



684 N. Port Crescent, Suite C  
Bad Axe, MI 48413

TITLE: R-450R  
ACTUATOR, HUB,  
COVER  
DWG. NO. ASSEMBLY MANUAL

ITEM NO.	PART NUMBER	DESCRIPTION	QTY.
1	GLCLAU-2	BATTERY	1
2	RPLASCAP2-3	PLASTIC CAP	1
3	RS-010R-0	MAIN BEAM	1
4	NUT5-13	NUT	4
5	RGLC5 X .75	BOLT	4
6	GLCLAU-5	CONTROL BOX	1
7	RGLC25X.5BHB	BOLT	2



MATERIAL:

SCALE:	REV: 100	DATE: 10/28/2013	DWR: B.E.
WEIGHT: LBS	MACH WEIGHT: LBS	APVD BY: J.I.	

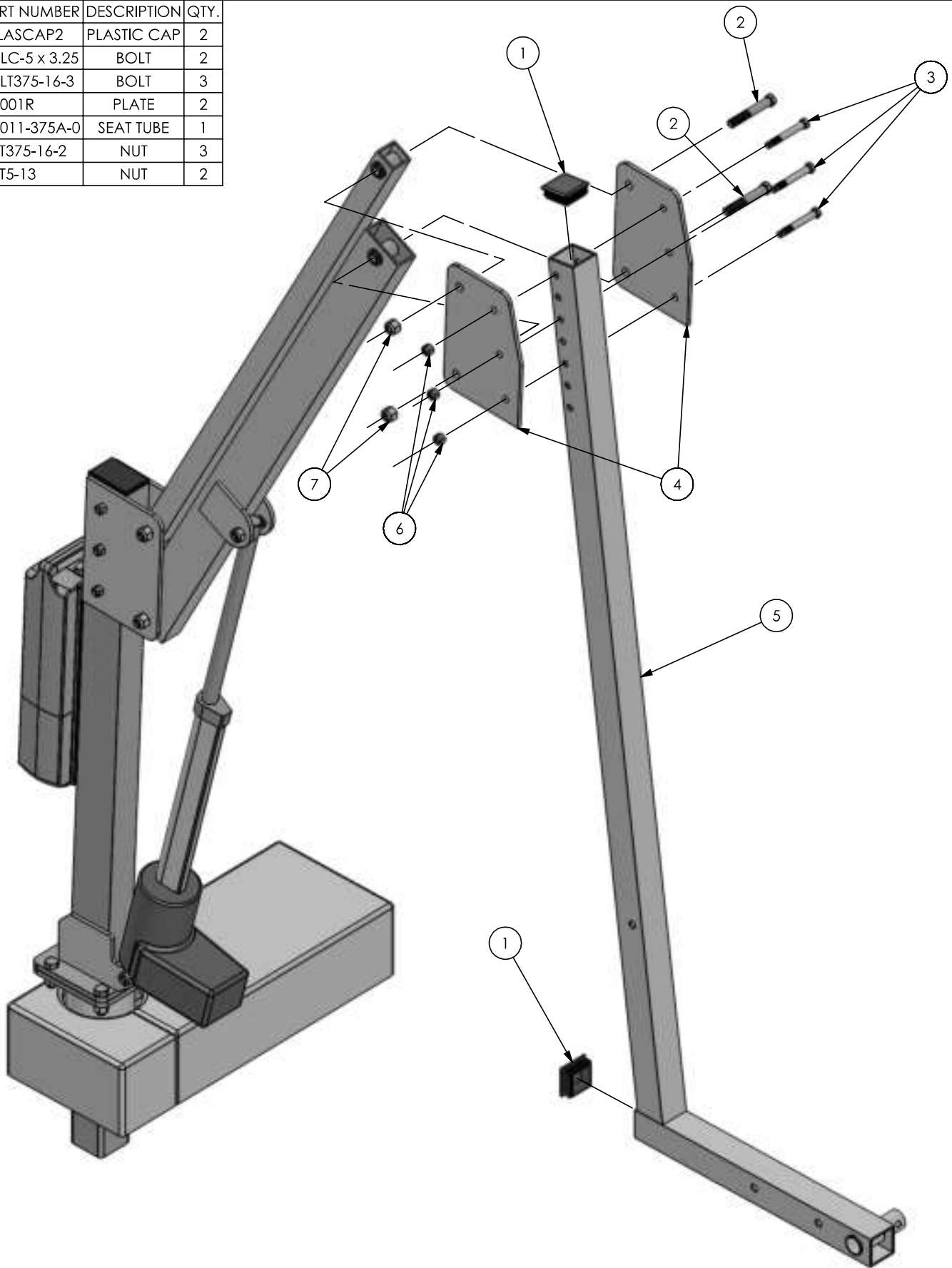
DO NOT SCALE DRAWING  
UNLESS OTHERWISE SPECIFIED  
DIMENSIONS ARE IN INCHES  
TOLERANCES ARE:  
X. = ±.125  
XX. = ±.062  
XXX. = ±.031  
FRACTIONAL DIMENSIONS ±.125  
FILLET RADIUS .006 THRU .125  
HOLES .000 THRU .015  
ANGLES ± 1 DEGREE

PROPRIETARY AND CONFIDENTIAL  
THE INFORMATION CONTAINED IN THIS DRAWING IS THE SOLE  
PROPERTY OF Global Lift Corporation. ANY REPRODUCTION IN  
PART OR AS A WHOLE WITHOUT THE WRITTEN PERMISSION OF  
Global Lift Corp. IS PROHIBITED.

**LIFT CORP**  
684 N. Port Crescent, Suite C  
Bad Axe, MI 48413

TITLE:	R-450R MAIN BEAM, BATTERY, CONTROL BOX
DWG. NO.	ASSEMBLY MANUAL

ITEM NO.	PART NUMBER	DESCRIPTION	QTY.
1	RPLASCAP2	PLASTIC CAP	2
2	RGLC-5 x 3.25	BOLT	2
3	BOLT375-16-3	BOLT	3
4	RS-001R	PLATE	2
5	RS-011-375A-0	SEAT TUBE	1
6	NUT375-16-2	NUT	3
7	NUT5-13	NUT	2



MATERIAL:

SCALE:	REV: 100	DATE: 10/28/2013	DWR: B.E.
WEIGHT: LBS	MACH WEIGHT: LBS	APVD BY: J.I.	

DO NOT SCALE DRAWING  
UNLESS OTHERWISE SPECIFIED  
DIMENSIONS ARE IN INCHES  
TOLERANCES ARE:

X. - ±.125  
XX. - ±.062  
XXX. - ±.031

FRACTIONAL DIMENSIONS ±.125  
FILLET RADIUS .006 THRU .125  
HOLES .000 THRU .015  
ANGLES ± 1 DEGREE

PROPRIETARY AND CONFIDENTIAL

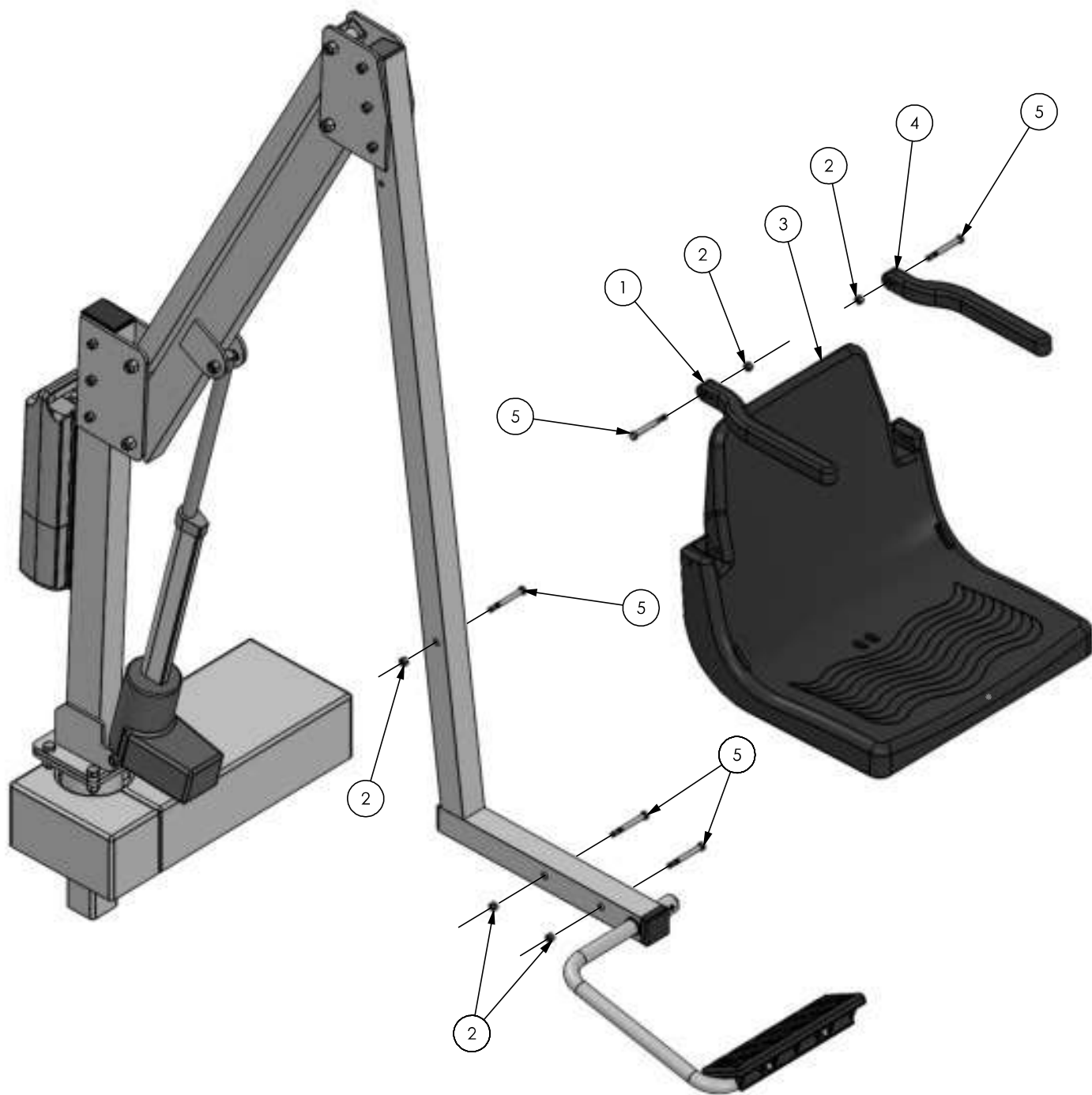
THE INFORMATION CONTAINED IN THIS DRAWING IS THE SOLE  
PROPERTY OF Global Lift Corporation. ANY REPRODUCTION IN  
PART OR AS A WHOLE WITHOUT THE WRITTEN PERMISSION OF  
Global Lift Corp. IS PROHIBITED.

684 N. Port Crescent, Suite C  
Bad Axe, MI 48413

TITLE: R-450R  
SEAT TUBE

DWG. NO.  
ASSEMBLY MANUAL

REV.	DESCRIPTION	DATE	APVD.
------	-------------	------	-------



ITEM NO.	PART NUMBER	DESCRIPTION	QTY.
1	GLCSEATB-6R	RM REST, RIGHT	1
2	NUT313-18	NUT	5
3	GLCSEATB-1	SEAT	1
4	GLCSEATB-6L	ARM REST, LEFT	1
5	BOLT313-18-3	BOLT	5

MATERIAL:

SCALE:	REV: 100	DATE: 10/28/2013	DWR: B.E.
WEIGHT: LBS	MACH WEIGHT: LBS	APVD BY: J.I.	

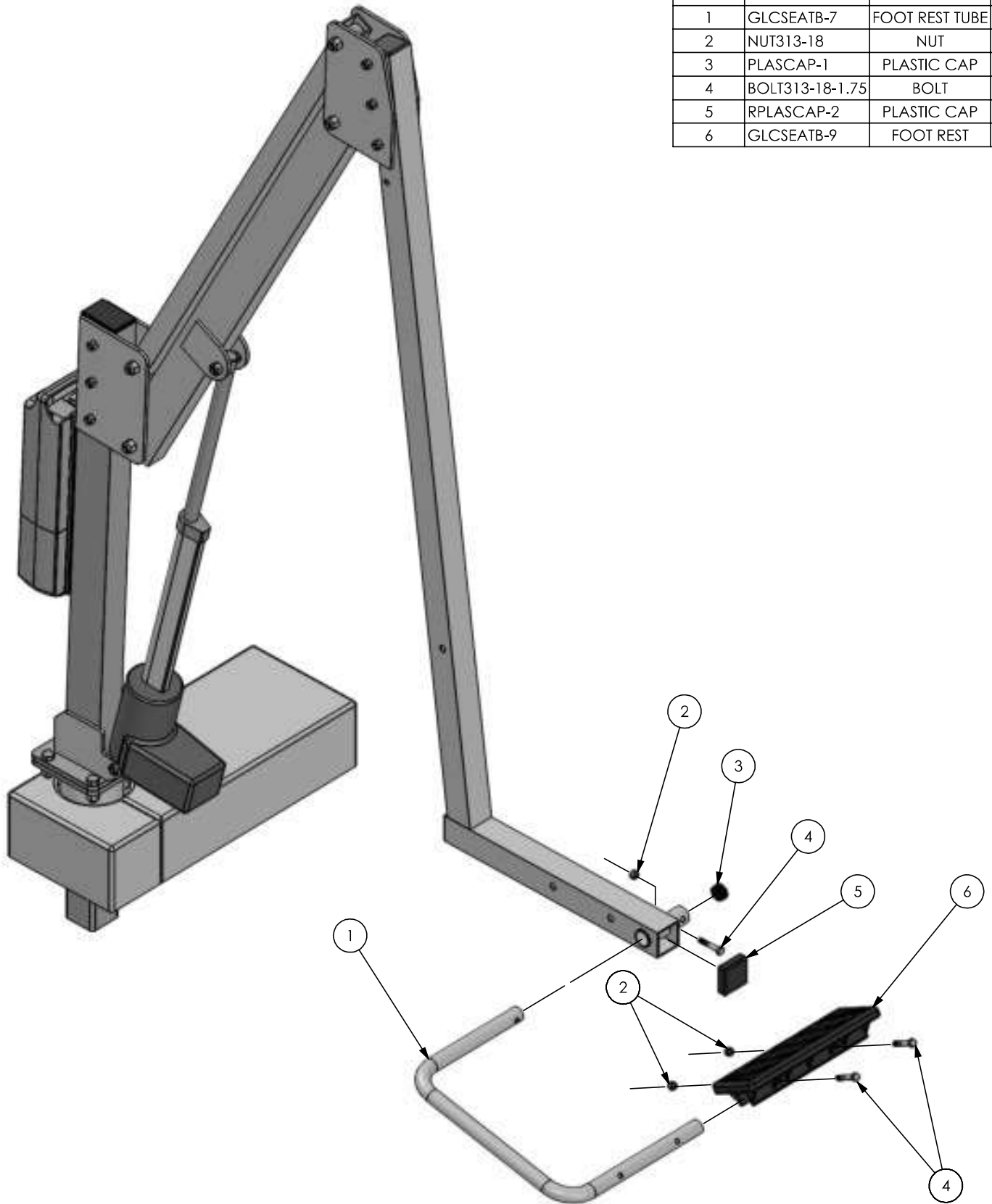
DO NOT SCALE DRAWING  
UNLESS OTHERWISE SPECIFIED  
DIMENSIONS ARE IN INCHES  
TOLERANCES ARE:  
X. = ±.125  
XX. = ±.062  
XXX. = ±.031  
FRACTIONAL DIMENSIONS ±.125  
FILLET RADIUS .000 THRU .250  
HOLES .000 THRU .015  
ANGLES ± 1 DEGREE

PROPRIETARY AND CONFIDENTIAL  
THE INFORMATION CONTAINED IN THIS DRAWING IS THE SOLE  
PROPERTY OF Global Lift Corporation. ANY REPRODUCTION IN  
PART OR AS A WHOLE WITHOUT THE WRITTEN PERMISSION OF  
Global Lift Corp. IS PROHIBITED.

**LIFT CORP**  
684 N. Port Crescent, Suite C  
Bad Axe, MI 48413

TITLE: **R-450R SEAT**  
DWG. NO. **ASSEMBLY MANUAL**

ITEM NO.	PART NUMBER	DESCRIPTION	QTY.
1	GLCSEATB-7	FOOT REST TUBE	1
2	NUT313-18	NUT	3
3	PLASCAP-1	PLASTIC CAP	1
4	BOLT313-18-1.75	BOLT	3
5	RPLASCAP-2	PLASTIC CAP	1
6	GLCSEATB-9	FOOT REST	1



**MATERIAL:**

SCALE:	REV: 100	DATE: 10/28/2013	DWR: B.E.
WEIGHT: LBS	MACH WEIGHT: LBS	APVD BY: J.I.	

DO NOT SCALE DRAWING  
UNLESS OTHERWISE SPECIFIED  
DIMENSIONS ARE IN INCHES  
TOLERANCES ARE:  
X. = ±.125  
XX. = ±.062  
XXX. = ±.031  
FRACTIONAL DIMENSIONS ±.125  
FILLET RADIUS .000 THRU .250  
HOLES .000 THRU .015  
ANGLES ± 1 DEGREE

**PROPRIETARY AND CONFIDENTIAL**  
THE INFORMATION CONTAINED IN THIS DRAWING IS THE SOLE  
PROPERTY OF Global Lift Corporation. ANY REPRODUCTION IN  
PART OR AS A WHOLE WITHOUT THE WRITTEN PERMISSION OF  
Global Lift Corp. IS PROHIBITED.

684 N. Port Crescent, Suite C  
Bad Axe, MI 48413

TITLE:	<b>R-450R FOOT REST</b>
DWG. NO.	<b>ASSEMBLY MANUAL</b>