

# DRIVE DELTA PRO BED SYSTEM

## Semi and Full Electric Bed Designs

Model # 15030N / 15033NC / 15235N / 15003PN / 15004PN / 15005LPN

### OWNER'S ASSEMBLY AND OPERATING MANUAL



**Semi- Electric Dual motor (15030N)**



**Full Electric Low Linear Motor (15005LPN)**

**Additional Configurations Available**

This manual must be given to the Owner/User of this bed and should be read carefully before putting this product into use. Keep manual in an accessible location for future reference.

# INTENDED USE AND CONTRAINDICATIONS

The Delta Pro Bed system is intended to be used as a mattress support device. This bed offers patient care flexibility by allowing for articulation of the head and foot sections of the bed frame to improve comfort or assist with treatment and/or mobility.

Contraindications for this bed include use with individuals who exceed the listed safe working load weight capacity.

## OVERVIEW

Congratulations on purchasing the most innovative and inventory efficient homecare medical bed in the market! The **Delta Pro Bed System** by Drive DeVilbiss Healthcare allows you the freedom to assemble varying bed configurations based on your individual needs. Depending on the components you have purchased, you can enjoy the versatility of building up to 6 bed designs. For your convenience, the Delta Pro Bed System components have been color coded and the chart below can guide your understanding of which components are needed for your desired assembly.

Bed Package Kit #	Description	Bed Frame	Bed Ends	Main Motor	Frame Adjustment	Height Adjustment
15030N	Standard, Semi (Dual Motor)	15545	15546	15550MOHC		Manual
15033NC	Standard, Full (Dual Motor + Hi/Lo)	15545	15546	15551		
15235N	Low, Full (Dual Motor + Hi/Lo)	15545	15547	15551		
15003PN	Standard, Manual	15545	15546	No motor	15555	Manual
15004PN	Standard, Semi (Linear Motor)	15545	15546	15553	15552	Manual
15005LPN	Low, Full (Linear Motor + Hi/Lo)	15545	15547	15553	15552	15554

## MATTRESS RECOMMENDATIONS



### WARNING

Possible ENTRAPMENT Hazard may occur if you do not use the recommended specification mattress. Resident entrapment may occur leading to injury or death.

A mattress may not be included with this bed. It is recommended that a standard 36" wide mattress that is made to fit an 80" or 84" (extension) length bed frame is used, such as a Drive DeVilbiss Healthcare standard inner spring, foam, fiber, or pressure redistribution mattress. Mattress height must be a minimum of 5-1/2 inches.

Visit <https://www.drivemedical.com/Products/Therapeutic-Support-Surfaces/Mattress-Replacements/> to learn more about Drive DeVilbiss Healthcare's assortment of foam mattresses, overlays and Low Air Loss and alternating pressure mattress replacement systems.

## COMPLIANCE INFORMATION

Matching the correct bed components to meet regulatory specifications can be complicated. Drive DeVilbiss Healthcare offers a wide variety of compliance options and we can assist your facility in selecting components or accessories that are recommended for the specific bed model.

# PACKAGING and HANDLING

## TOOLS REQUIRED

- Wire Cutters
- Utility Knife



### CAUTION

Unpack the bed in an area with sufficient room to work. Do not allow residents/patients near the bed until it has been completely set up and the work area has been cleared of all debris.

## UNPACKING

1. Check cartons for any obvious damage to packaging or contents. If damage is evident, contact your local Drive Medical dealer/provider.
2. Remove any loose packaging from the cartons.
3. Carefully remove all components from the cartons.

## LIST OF COMPONENTS

Below is a list of all available components for the Delta Pro Bed System giving you the versatility to assemble up to 6 different bed configurations. Depending on the Delta Pro model(s) you have selected you may receive some or all of the below components. Your Delta Pro Bed System components are color coded (check shipping label) for your convenience. Refer to Fig (chart above) to identify which components are needed for your desired bed configuration.

SKU #	Item #	Description (40 CHARACTERS MAX)	Shipping Weight (lbs)	Box Dimensions		
				Length (Inch)	Width (Inch)	Height (Inch)
SKU#1	15545	Delta Pro Bed Frame w/Shaft	99	35.43	8.46	46.06
SKU#2	15546	Delta Pro Standard Bed Ends w/Casters	52.4	38	5.51	26.77
SKU#3	15547	Delta Pro Low Bed Ends w/Casters	55.11	38	5.51	25.98
SKU#4	15550MOHC	Delta Pro Dual Motor w/pendant	11.38	29.25	8.19	6.48
SKU#5	15551	Delta Pro Dual Motor w/HiLo & Pendant	17.42	29.79	16.61	7.79
SKU#6	15552	Delta Pro Bed Linear Actuator Hardware	7.22	6.3	3.35	37
SKU#7	15553	Delta Pro Bed Linear Motor w/Pendant	14.41	25.35	11.22	5.86
SKU#8	15554	Delta Pro Linear HiLo Motor	6.13	12.6	11.41	5.91
SKU#9	15555	Delta Pro Bed Manual Crank Kit	15.25	10.04	2.76	46.85

## INSPECTION

1. Examine each component carefully for damage, scratches, dents or any other visual damage.
2. Carefully remove tie wraps holding power cord, hand pendant and drive shaft.
3. Inspect power cord and plug for cuts or damage.
4. Inspect the motors for damage, loose connections, cuts or damage to the wires.
5. Ensure motor connection to pendant are connected correctly and secure.

## STORAGE

1. If the bed is not assembled immediately, retain cartons and packaging for storage until assembly is completed.
2. Store the packaged bed in a dry area.
3. **DO NOT** place other objects on top of the packaged bed cartons.

## ASSEMBLY INSTRUCTIONS- Delta Pro Bed Kits



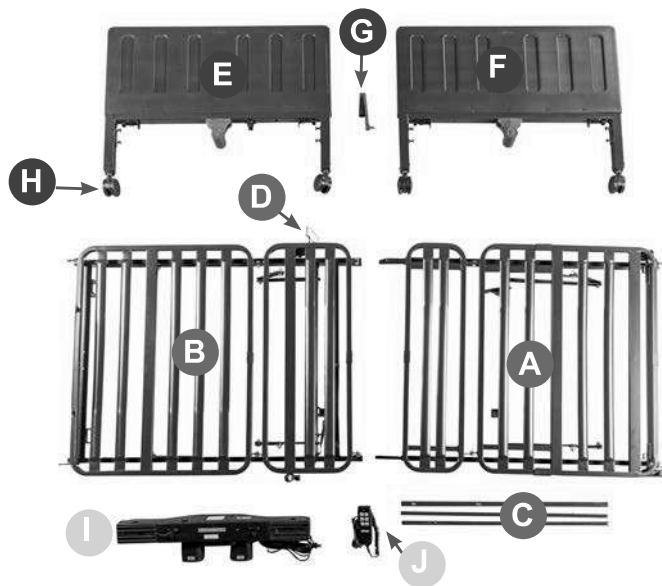
**CAUTION: DO NOT** attempt to operate bed controls until completion of assembly as damage to bed components and/or personal injury may occur.

Refer to Fig (color chart) to determine if you have the correct components to assemble the desired bed design.

### Bed Kit # 15030N – Semi Electric Standard Dual Motor

Confirm that all parts are present:

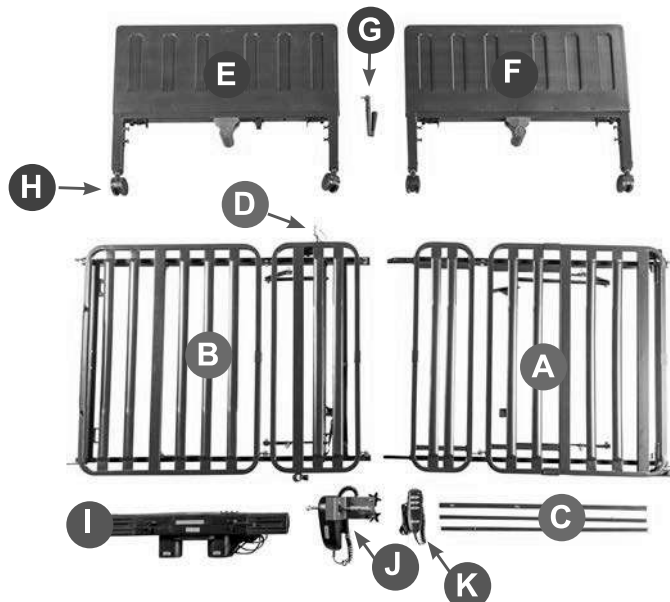
- A. Headframe Assembly
- B. Foot frame Assembly
- C. Drive Shaft
- D. Fixed Pin(s)
- E. Headboard Assembly
- F. Footboard Assembly
- G. Hand Crank
- H. 4 Casters (2 locking, 2 unlocking)
- I. Dual Motor
- J. Hand Pendant



### Bed Kit # 15033NC- Standard Full Electric Dual Motor w/ Height Adjustment

Confirm that all parts are present:

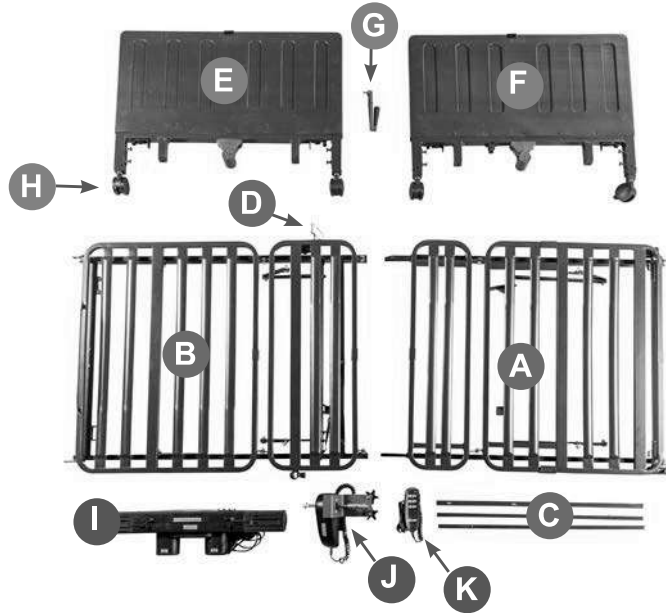
- A. Headframe Assembly
- B. Foot frame Assembly
- C. Drive Shaft
- D. Fixed Pin(s)
- E. Headboard Assembly
- F. Footboard Assembly
- G. Hand Crank
- H. 4 Casters (2 locking, 2 unlocking)
- I. Dual Motor
- j. Hi/Lo Motor
- k. Hand pendant



**Bed Kit # 15235N- Full Electric Low Dual Motor**

Confirm that all parts are present:

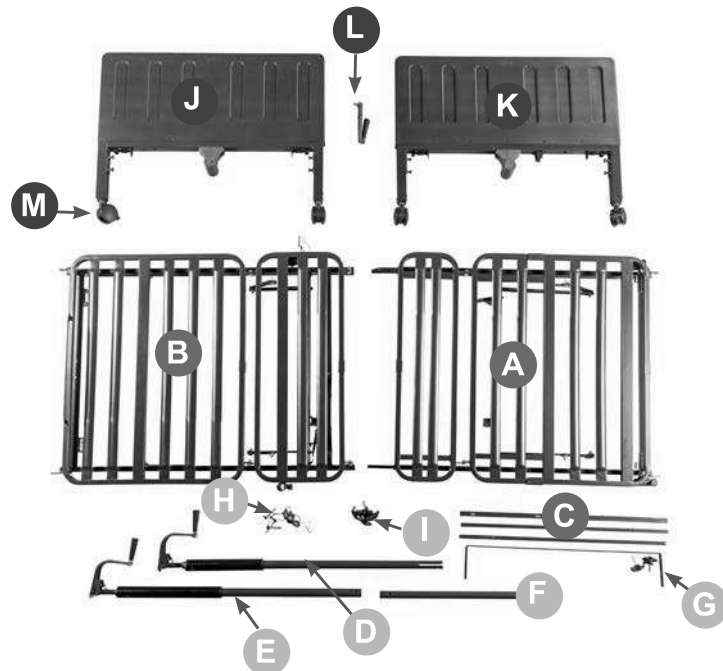
- A. Headframe Assembly
- B. Foot frame Assembly
- C. Drive Shaft
- D. Fixed Pin(s)
- E. Low Headboard Assembly
- F. Low Footboard Assembly
- G. Hand Crank
- H. 4 Casters (2 locking, 2 unlocking)
- I. Dual Motor
- j. Hi/Lo Motor
- K. Hand Pendant



**Bed Kit # 15003PN- Manual Bed**

Confirm that all parts are present:

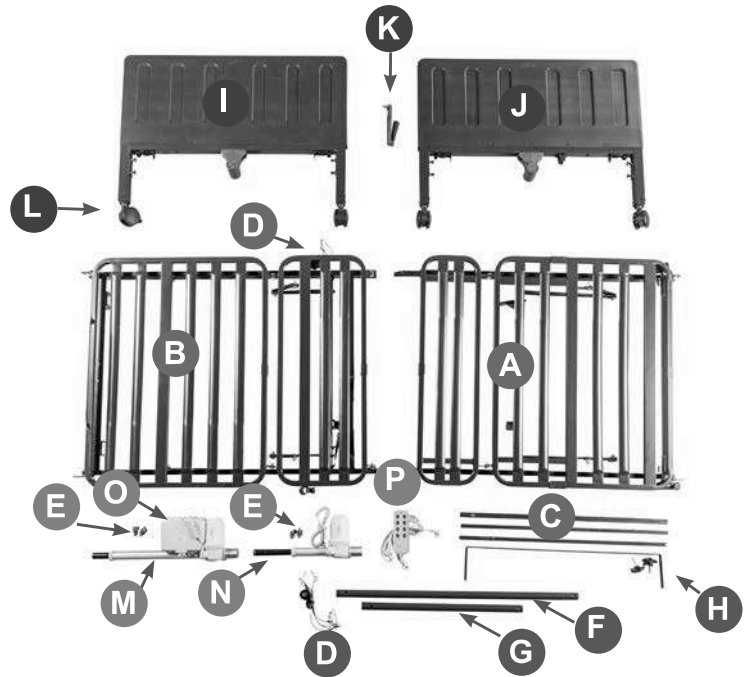
- A. Headframe Assembly
- B. Foot frame Assembly
- C. Drive Shaft
- D. Head Actuator Bar
- E. Foot Actuator Bar
- F. Extension Bar
- G. Motor Protection shaft
- H. Fixed Pin(s)
- I. Twist Knobs
- J. Headboard Assembly
- K. Footboard Assembly
- L. Hand Crank
- M. 4 Casters (2 locking, 2 unlocking)



## Bed Kit # 15004PN- Semi Electric Standard Linear Motor

Confirm that all parts are present:

- A. Headframe Assembly
- B. Foot frame Assembly
- C. Drive Shaft
- D. Fixed Pins x 4
- E. Twist knobs x 4
- F. Head Actuator Bar
- G. Foot Actuator Bar
- H. Motor Protection shaft
- I. Headboard Assembly
- J. Footboard Assembly
- K. Hand Crank
- L. Casters (2 locking, 2 unlocking)
- M. Linear Head Motor
- N. Linear Foot Motor
- O. Control Box
- P. Hand Pendant\*



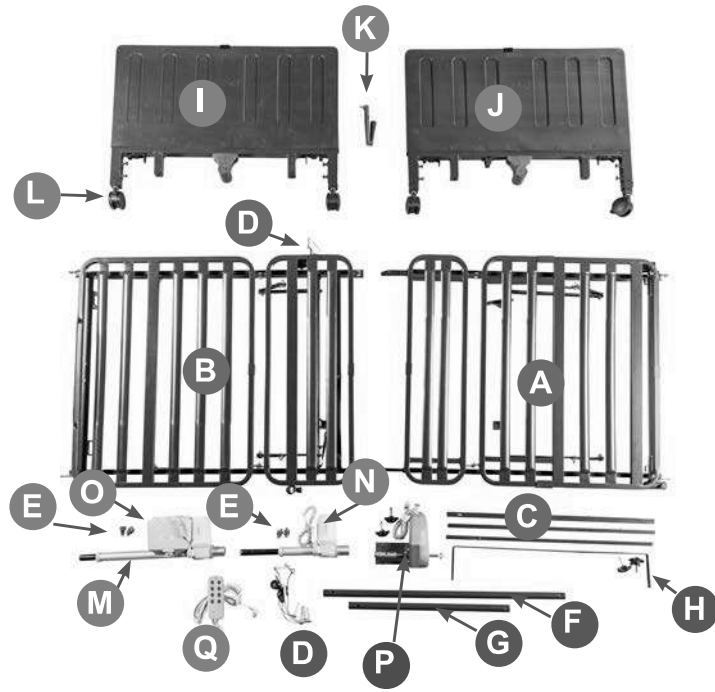
\* The hand pendant included in this kit includes buttons for height adjustment. To utilize this function component #15554-Delta Pro Linear HiLo Motor is needed. Component 15554 is not included in this bed kit but is included in Bed Kit # 15005LPN.

NOTE- The height adjustment feature on the pendant will not work unless you order component #15554

## Bed Kit # 15005LPN- Full Electric Low Linear Motor

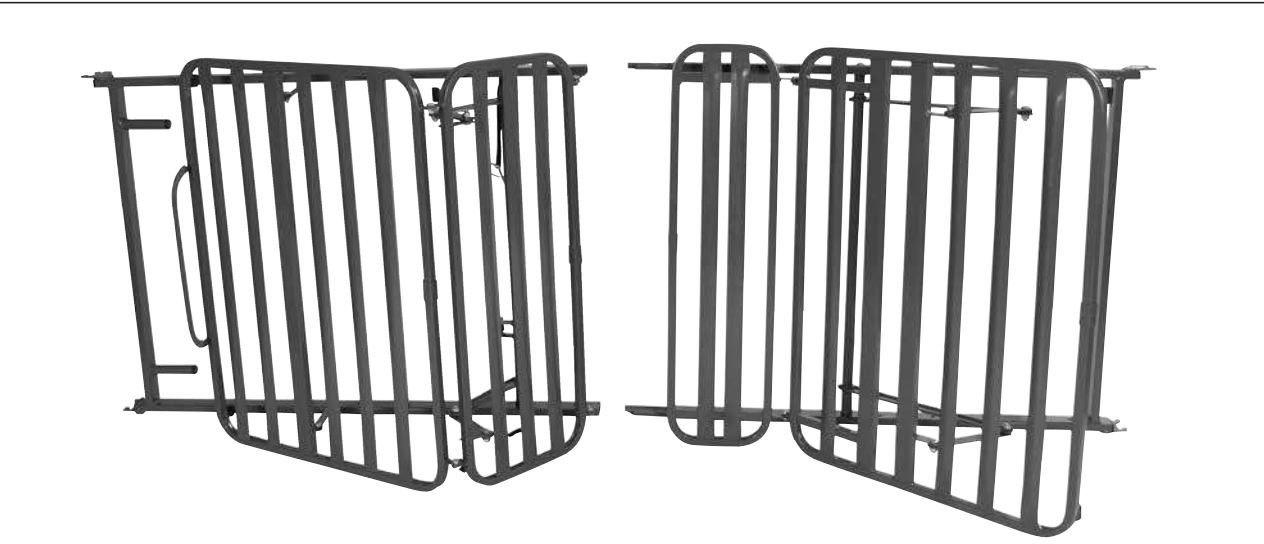
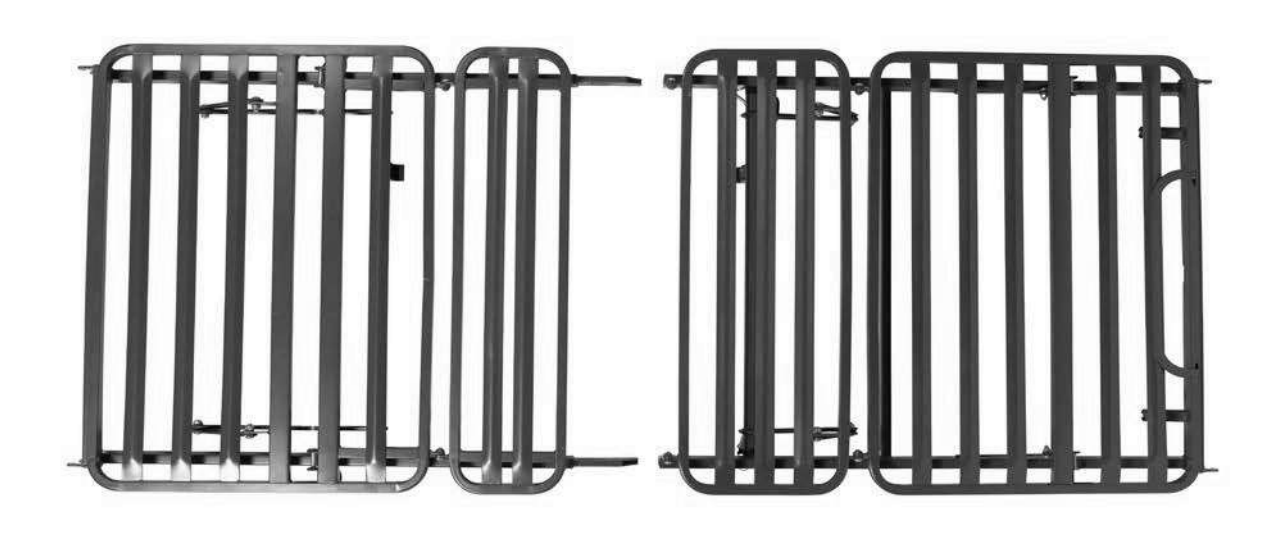
Confirm that all parts are present:

- A. Headframe Assembly
- B. Foot frame Assembly
- C. Drive Shaft
- D. Fixed Pins x 4
- E. Twist knobs x 4
- F. Head Actuator Bar
- G. Foot Actuator Bar
- H. Motor Protection shaft
- I. Low Headboard Assembly
- J. Low Footboard Assembly
- K. Hand Crank
- L. Casters (2 locking, 2 unlocking)
- M. Linear Head Motor
- N. Linear Foot Motor
- O. Control Box
- P. Hi/Lo Motor w/bracket and twist knobs
- Q. Hand Pendant



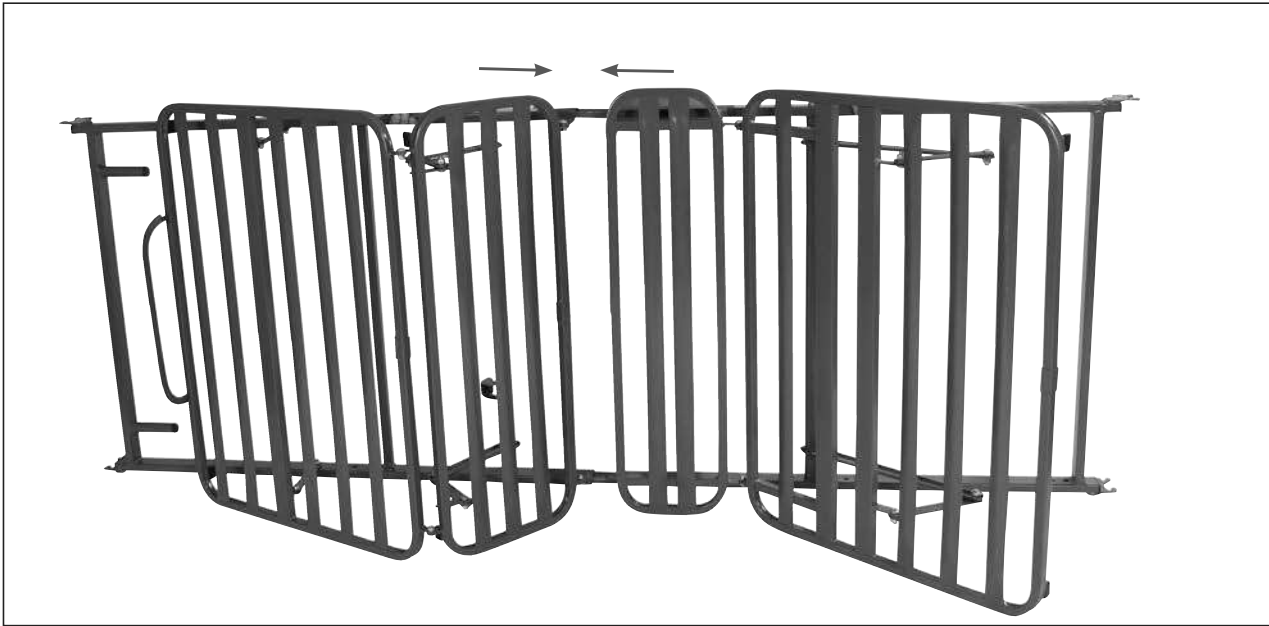
# A) FRAME ASSEMBLY

- 1. Place both ends of the frame/sleep surface on their side and align the flange with the receptacle as shown.





2. To attach the head and foot sections, interlock the two sides together by sliding the frames toward each other.



3. Secure the frame assembly and lock each end into position by inserting the cotter pin as shown (Figure A). Secure the cotter pin with the attached clasp.
4. Repeat on the opposite side.



Figure A



Figure B

To disassemble the head and foot section, remove cotter pin and clasp and separate sections.



## B) MOTOR INSTALLATION

There are two general methods for the installation of motors to your Delta Pro Bed System. Utilize whichever method is more comfortable for you to assemble.

**Note-** Images below are examples of dual motor installation only.

A) **INSTALLATION METHOD A** - Installing while bed frame is on its side with no bed ends.

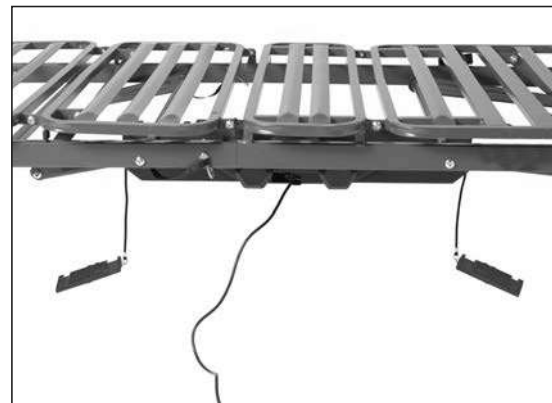
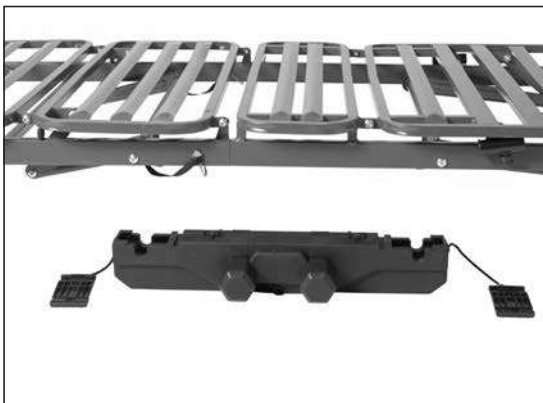
The motor may be installed on the bedframe when the frame is standing on its side prior to bed ends attachment. Labels on the motor will indicate which end goes toward the head section and foot section.

**NOTE\*** Be careful to not damage the motor when placing flat on the ground.



B) **INSTALLATION METHOD B**- Installing while attached to bed ends.

The motor may be installed from underneath the bed frame (horizontal to the ground) after the bed ends are attached. Labels on the motor will indicate which end goes toward the head section and foot section.



With both hands, lift the motor and insert into the actuator and frame as shown. With the palm of your hand snap the motor flush to actuator bar.

**NOTE-** To utilize Method B, you must first assemble the head and foot boards onto the frame. If selecting this method, proceed to Headboard Assembly on page 22 PRIOR to proceeding with Motor installation instructions below.

**Bed Kit # 15030N, 15033NC and 15235N – Dual Motor Configurations\***

1. Before installing motor, ensure hand pendant cable is plugged into motor as shown in Fig C.



Figure C

2. To prepare motor for installation, remove locking caps on the top of the motor by sliding them off.

3. Prior to installation, make sure that the 2 white motor blocks within the motor casing are in the retracted position. If the white motor block is not in the retracted position, plug the power cord into a power outlet and retract motor block by depressing the down buttons on hand pendant until motor block is fully retracted. See Figure D.

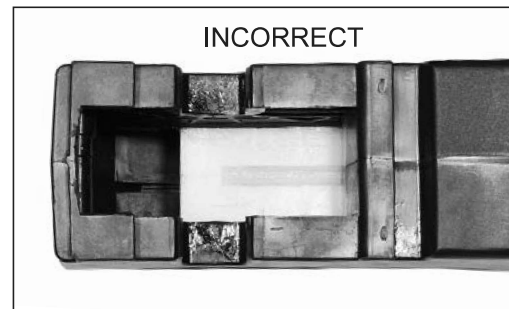
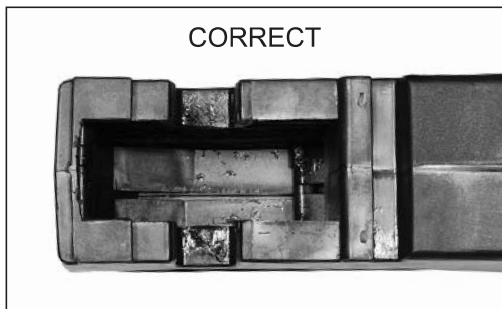
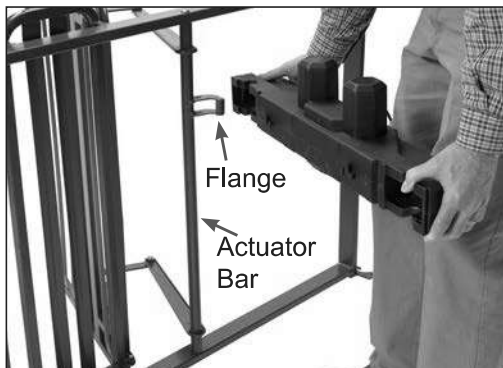
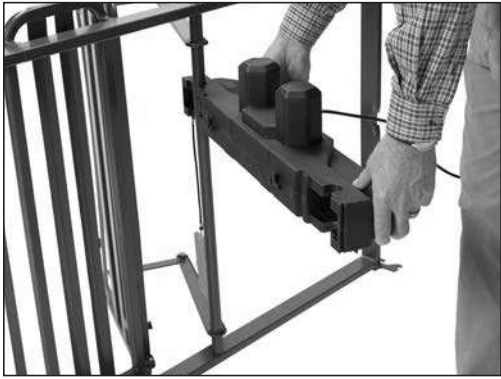


Figure D

**\*NOTE-** Although Installation Method A is being illustrated, the installation instructions are the same for both methods.



4. Align the opening on the head end of the motor with the flange on the head section of the bed and insert the flange into the motor compartment.



5. With the palm of your hand, snap the motor flush to the actuator bar.



6. Align the opening on the foot end of the motor with the flange on the foot section of the bed and insert the flange into the motor compartment.

7. With the palm of your hand, snap the motor flush to the actuator bar.

8. Once in place, replace the motor covers to secure the motor.



### **INSTALLING THE HI/LO MOTOR\***

Prior to installing ensure that the Drive shaft has been adjusted to the full electric push pin location.

1. Attach the Hi/lo motor with bracket onto the two center holes found on the foot frame assembly and secure with the 2 twist knob screws.
2. Once attached, release the coupler on the motor by turning the coupler to attach to the foot board gear box.

**NOTE-** If the coupler does not perfectly align with the pin of the gear box, use the manual crank on the gear box to turn the pin.

**\*Note-** The Hi/Lo motor is only available with Bed kits # 15235N and 15033NC.

## **Bed Kit # 15004PN and 15005LPN– Linear Motor Configurations**

Preparing the motor for installation:

1. Attach the head motor and control box to the bracket on the foot frame by aligning the motor and frame holes. Secure motor with 2 spring twist knobs. See Fig E.



Figure E



2. Attach head actuator tube to head actuator bar on headframe assembly. Secure with connection pins.
3. Attach the foot motor to the bracket on the foot frame by aligning the motor and frame holes. Secure motor with two spring twist knobs. See Fig F



Figure F

4. Attach foot actuator tube to end of foot motor and then to actuator bar on foot frame assembly. Secure with pin.
5. Attach protected shaft for actuators with twist knob screws.
6. Ensure the cables from all motors, which are color coded, are securely plugged into the control box in the corresponding color outlet.
9. Plug the power cord into the back end of the control box (opposite other plug inputs) and then plug into wall outlet.

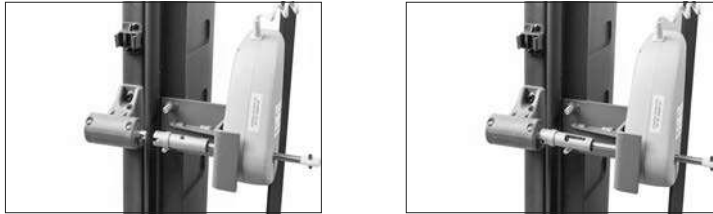
## **INSTALLING THE HI/LO MOTOR\***

Prior to installing ensure that the Drive shaft has been adjusted to the full electric push pin location.

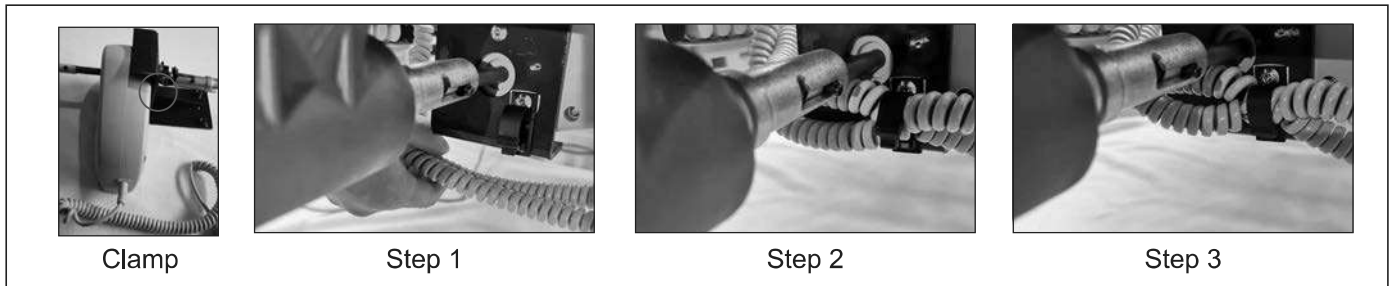
1. Attach the Hi/lo motor with bracket onto the two center holes found on the foot frame assembly and secure with the 2 twist knob screws.
2. Once attached, release the coupler on the motor by turning the coupler to attach to the foot board gear box.

**NOTE-** If the coupler does not perfectly align with the pin of the gear box, use the manual crank on the gear box to turn the pin.

**\*Note-** The Hi/Lo motor is only available with Bed kit # 15005LPN.



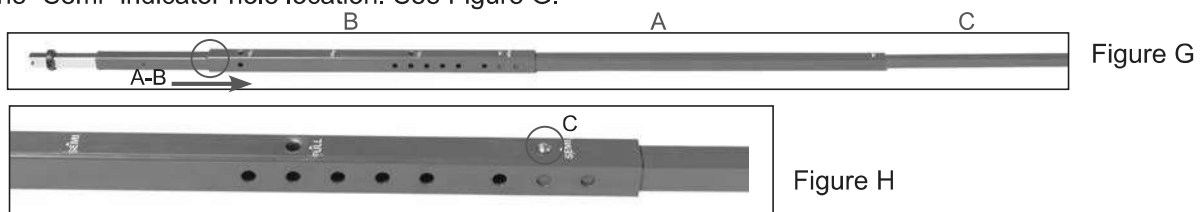
3. Put the cable of the actuator to fixing clamp.



## **Attaching the Drive Shaft**

Once all motors are connected, connect the Drive Shaft according to your functionality.

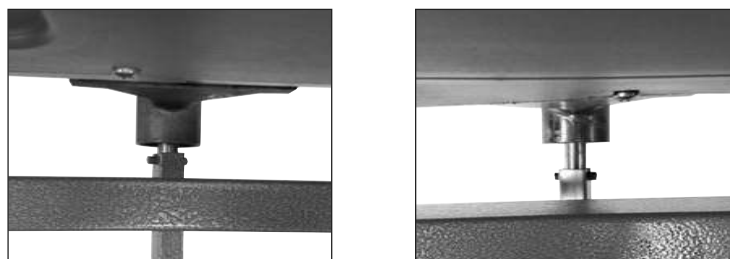
Assemble the Hi/Lo Drive Shaft by inserting the (A) section with push pin into the (B) section with indicators and align with the "Full" or "Semi" indicator hole as applicable. Next extend the (C) section and align with the single hole location opposite the "Semi" indicator hole location. See Figure G.



Slide Driveshaft under length of the bed. Lift the Head Section of the bed frame and install the Spring Loaded end of the Drive Shaft to Head Board drive pin, then install foot end of the Drive Shaft into the Foot board drive pin OR Hi/Lo motor coupler if applicable. The Drive Shaft is spring loaded so it will fit securely between these two points. Adjust the length of Hi/Lo Drive Shaft if it is too long or too short.

**Note!** Be sure to insert the Drive Shaft above the protective bar on the foot end of the frame assembly.

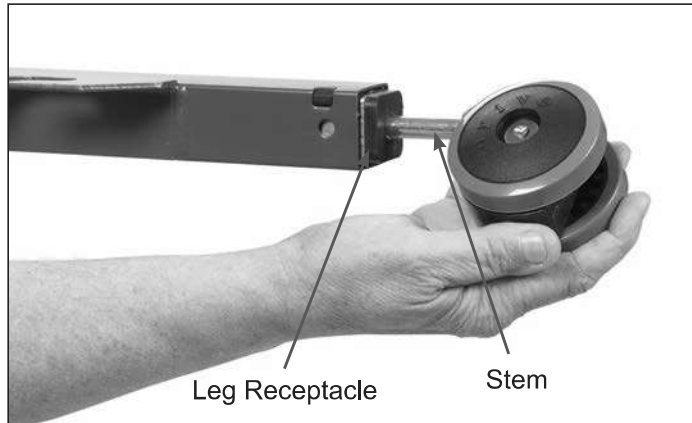
Attachment to Bed Ends.



# HEADBOARD ASSEMBLY

**Note-** Headboard Assembly should be completed AFTER Method A motor installation OR Headboard Assembly should be completed PRIOR to Method B Motor Installation.

Install casters onto Standard (15546) or Low (15547) bed ends by inserting the stem of the caster into the leg receptacle. It is recommended to install one locking caster and one non-locking caster on each bed end. The locking casters should be installed diagonally from each other. Install casters to both head and foot boards. To engage locking caster, press down on locking tab; lift up to release.



Attach the Head and Foot Boards by aligning the frame mounting hooks over bed end mounting pins. Push frame down to secure in place. Push Slide Locks in place over frame hooks for both bed ends to help prevent frame separation from bed ends.



**NOTE:** The pair of Head and Foot Bed Ends are the same height and must be assembled as a set in order for Bed Ends to operate correctly. Note position of the embossed “HEAD” and “FOOT” labels on top and sides of the bed ends for proper assembly. Foot end of the bed frame has the mattress retainer. Lift mattress retainer to help keep mattress in place. Gear box crank connection will always face outward – away from the bed.



# BED OPERATION



## CRUSH HAZARD

Crush point exists due to LOW BED CLEARANCE. **DO NOT** place feet or other limbs under the frame when lowering the bed. When lowering the bed, be aware this may cause INJURY if limbs or personal items interfere with bed movement. Stay clear of the frame and ensure children and/or pets are not under the bed before lowering.

## WARNING

- It is critically important to lock all casters to prevent unintended bed movement.
- Possible injury or Death may occur due to pendant cord being a source for entangling patient/resident. Patients/residents with decreased mental acuity should NOT have access to pendant.

## WARNING

When routing cables from other equipment in the medical bed, precautions shall be taken to avoid squeezing between parts of the medical bed.

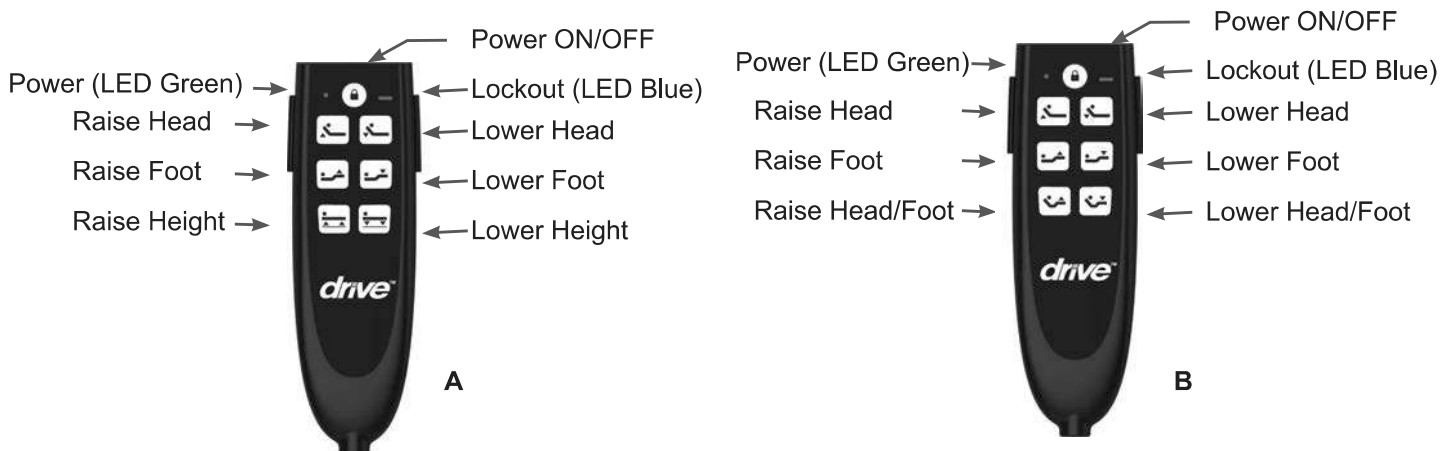
# OPERATION

## HAND CONTROLS

The Delta Pro Bed System may come with 3 different hand pendants depending on the kits ordered.



## Bed Kit # 15030N, 15033NC and 15235N – Dual Motor Configurations



### HAND PENDANT

Dependent on the model ordered, these models come with either Pendant A or Pendant B.

These models come with a 3 Function hand held pendant.

-Top row buttons control raising and lowering the Head Section.

- Middle row buttons control raising and lowering the Foot Section.

- Lower row buttons:

- Pendant A- Raise or lower the bed deck

- Pendant B- Raise or lower the head and foot sections simultaneously-Green indicator will illuminate when buttons are depressed.

The hand control will illuminate when the bed is plugged into a grounded or polarized wall outlet, or with 9V battery (not included) installed in the hand control. The hand control will illuminate as long as the wall outlet or battery has power. A single 9 volt battery can be installed into the back of the Hand Held Pendant and that will allow the head and foot sections to be lowered at a very slow speed. With this battery installed, the motor can be operated to return the sleep surface to the horizontal position in the event of a power failure.



### WARNING

- The battery backup should be used for EMERGENCY PURPOSES ONLY.
- **DO NOT** use the battery backup to demonstrate or display a bed.
- Battery function should be checked periodically to insure battery health. The battery should be removed if it no longer has a charge or if leakage from battery occurs.
- Drive DeVilbiss Healthcare cannot be held responsible for improper backup use.
- When battery is installed, unplugging the bed from mains power will not switch bed off.
- Batteries must be properly disposed of in accordance with local regulations.

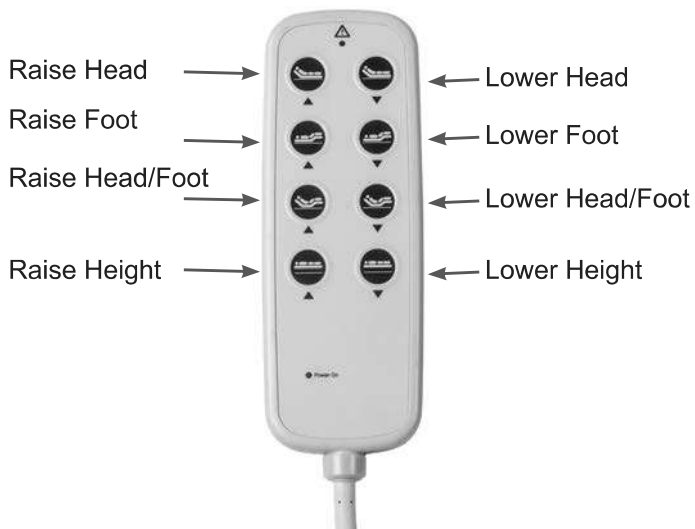
### PENDANT POWER BUTTON

Please press the button to power on the hand pendant before use. In case of emergency or when the hand pendant is not used, you can use this button to turn off the power.

### PENDANT LOCKOUT FEATURE

Push button to lock & unlock pendant controls. When light is on pendant is operating.

## Bed Kit # 15004PN and 15005LPN– Linear Motor Configurations



### HAND PENDANT\*\*\*

These models come with a 4 Function hand held Pendant.

- First row buttons control raising and lowering the Head Section.
- Second Row buttons control raising and lowering the Foot Section.
- Third row buttons simultaneously control the raising and lowering of the Head and Foot Sections.
- Fourth row buttons raise and lower the height of the bed\*\*.
- There are two LED indicators on the hand pendant panel. One indicates the power is on and the other indication the key function.

\*\*\* The Fourth row functionality only works when used with the 15005LPN bed kit.

## BED RAIL ASSEMBLY

### SIDE RAIL INSTALLATION (OPTION)



#### SIDE RAIL WARNING

Other manufacturers side rails/bars may not be compatible and can lead to entrapment issues or harm to patients/residents. Only compatible side rails/bars may be used on this bed. Make sure bed frame is adjusted correctly for mattress size being used and side rails/bars are properly secured to frame to decrease the risk of entrapment.



#### ENTRAPMENT WARNING

The risks associated with these devices used in conjunction with specialty mattresses and mattress overlays have not been evaluated. When these specialty mattresses or mattress overlays are used, the end user facility must take steps to ensure that the therapeutic benefit outweighs the risk of entrapment.



#### SIDE RAIL WARNING

Side rails/bars serve as a passive reminder to help keep patient from falling out of the bed.



#### CRUSH HAZARD

Crush hazard exists between the side rails/bars and the floor when in the lowest position which may cause injury to oneself or others. **DO NOT** place feet beneath the side rails/bars.



#### SIDE RAIL WARNING

Although side rails are not rated to any specific weight limitation, the side rails may become deformed or broken if excessive side pressure is exerted on the bed rails. The side rail is not an assist device for getting into or out of bed.

**DO NOT** use the side rails as push handles when moving the bed. Always test to make sure that the side rails are properly and securely in place before using the bed.

**DO NOT** install the optional side rails without reading and understanding all of the instructions in the instruction sheet that accompanies the bed rail kit.

**DO NOT** use the side rails as push handles for moving the bed.

Side rails are intended to prevent an individual from inadvertently rolling out of bed. **DO NOT** use for restraint purposes.

When used with a manual/electrical bed, side rails **DO NOT** fall under any weight limitations. Side rails can be deformed or broken if excessive side pressure is exerted on the bed rails. Side rails are used for the purpose of preventing an individual from inadvertently rolling out of bed. Side rails are NOT intended nor may be used for restraint purposes. If an individual is capable of injuring himself/herself, a physician or a healthcare professional should be consulted for alternative means of safe restraint.



### **ENTRAPMENT WARNING**

Accurate assessment of the patient/resident and monitoring of correct maintenance and equipment use are required to prevent entrapment. For additional information on product and safety issues for bed frames and rails refer to product manuals specific to the product or accessories you have or are planning to install. If bed frames have been serviced or any other adjustments have been made, you must ensure all parts are securely back in place before operating the bed. Other manufacturers side rails may not be compatible and can lead to entrapment issues or harm to residents and staff. Make sure mattress is the correct size for bed frame and the Side rails are secured to frame to decrease the risk of entrapment.

On March 10, 2006, the U.S. Food and Drug Administration (FDA) released guidelines for reducing the risk of hospital bed entrapment entitled; "Hospital bed System Dimensional and Assessment Guidance to Reduce Entrapment". This guidance document identifies potential entrapment areas within the bed frame, rails and mattress and identifies those body parts most at risk for entrapment. It also provides manufacturers with basic design criteria to consider when developing hospital/convalescent beds; recommends specific test methods to assess the conformance of existing hospital/convalescent bed systems; and answers frequently-asked questions about entrapment issues.

The FDA Guidance document identifies specific dimensional criteria on potentially injury-threatening gaps and spaces that can occur between bed system components, such as side rails when improperly installed. Drive DeVilbiss Healthcare's 15561/15571 beds and approved accessories are manufactured to be in conformance with these guidelines.

Please be aware that entrapment issues can still arise when components and accessories are not properly installed on the bed. It is important for the provider or facility staff to recognize they have an equal role in complying with the FDA guidelines to help ensure resident safety and avoid injuries.

Copies of this document can be obtained from the FDA website:

<http://www.fda.gov/medicaldevices/deviceregulationandguidance/guidancedocuments/ucm072662.html>

# BED RAIL ASSEMBLY

## Full Bed Rails:

Your Delta Pro Bed System is compatible with Full Bed Rails (15561FRAIL) that expand to adjust for bed articulation.



To install lift the head section and find the rail receptacle located on the frame of the bed as shown (Fig A). Pull receptacle outward and return head section to the flat position. Turn receptacle in a vertical position to receive the rail (Fig B). Repeat for all four rail receptacles.



Figure A



Figure B



Full Bed Rail Operation: Pull out pull pin on each bracket one at a time to raise or lower rail. Ensure pull pins are properly engaged to lock rails in position.

## Half Bed Rails:

Your Delta Pro Bed System is compatible with Half Bed Rails (15561HRAIL). To install half rails, locate the label located on the head section of the frame (Fig D). The half rail clamp should be installed over this label. Align fixed clamp jaw (Fig E) in front of bed frame rail as shown below. Align movable clamp jaw on top of bed frame rail, and turn knob clockwise until clamp is tight, securing safety rail to bed frame rail (Fig F).



Figure D

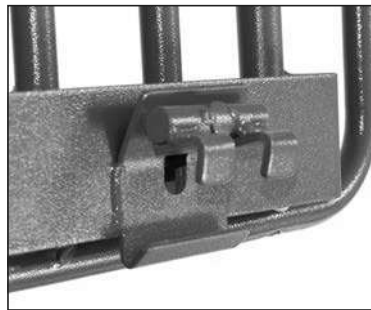


Figure E

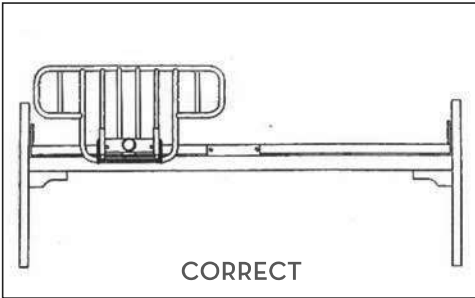


Figure F

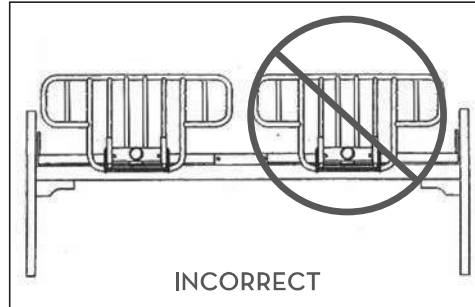


**Half Bed Rail Operation:** Pull out pull pin on each bracket to raise or lower rail. Ensure pull pin is properly engaged to lock rail in position.

**NOTE:** Bed rails should be removed when bed is disassembled to help prevent damage.



When installing bed rail, only place one (1) rail on bed per side.



DO NOT place 2 bed rails on the same side of the bed as shown above.

**WARNING - INCORRECT MOUNTING MAY CAUSE INJURY OR DEATH**

## MATTRESS RETAINER ADJUSTMENT

Before a mattress is placed onto the bed deck, flip up the mattress retainer to reduce mattress movement

### HI/LO ADJUSTMENT CRANK

**INCLUDED:** Your Delta Pro bed comes with a manual hand crank. This hand crank allows you to raise and lower the entire bed (similar to a Hi/Lo motor). To operate, insert the hand crank into the bed end gear box and turn to adjust bed height. See image below.



# ADDITIONAL ACCESSORIES

Not included but compatible with your Delta Pro bed system and available from Drive DeVilbiss :

## 1. 15044CSET- Additional set of Caster- Four (4) 3” Casters

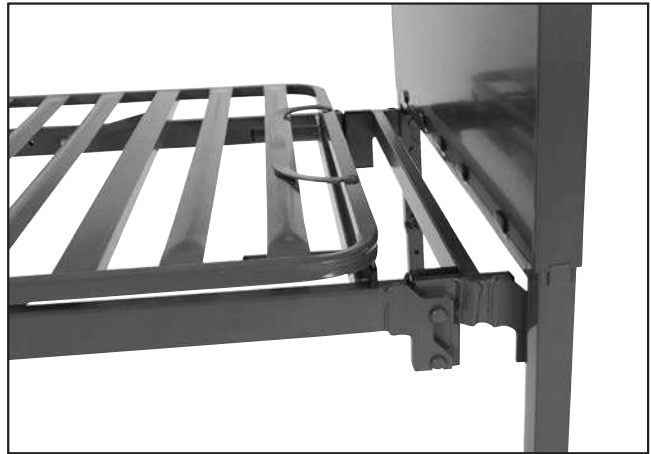
## 2. 15561EXT: 4” Bed Length Extender

The Delta Pro bed sleep surface can be extended in length by adding a 4” bed extender, Model #15561EXT. To assemble follow the steps below.

- 2a. Detach Drive Shaft from the bed ends. Adjust the length and set aside.
- 2b. Detach Foot Bed End.
- 2c. Attach Bed extender to the foot end of the bed frame and secure with bolts.
- 2d. Attach connected frame with bed extender to the foot bed end.
- 2e. Push slide locks in place over frame hooks for both bed ends to help prevent frame separation from bed ends.
- 2f. Attach Drive Shaft to the bed ends once again.



Deck Extension



Frame Extension

## 4. #15571TRANS: Transporter

1. Model # 15571TRANS is available to help assist in the transportation of the Delta Pro Bed to a new location. To use follow the instructions below:
  - 2a. Completely disassemble the bed into all main components.
  - 2b. Assemble bed ends to each side of the transporter deck.
  - 2c. Assemble motor to foot end mounting pins.
  - 2d. Place head and foot frame onto transporter deck.

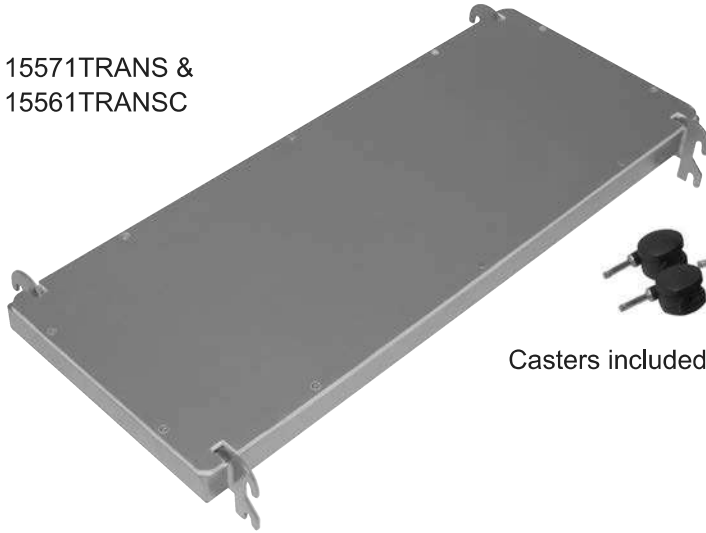
## #15561TRANSC: Transporter with Casters Installation:

2. Model # 15571TRANS is available to help assist in the transportation of the Delta Pro Bed to a new location. To use follow the instructions below:
  - 3a. Completely disassemble bed.
  - 3b. Install Casters onto each leg of bed ends.
  - 3c. Assemble bed ends to each side of transporter deck.



- 3d. Assemble motor to foot end mounting pins.
- 3e. Place Head and Foot Frame onto Transporter Deck.

15571TRANS &  
15561TRANSC



Casters included with 15561TRANSC

**5. Item# 13009KT-BV: Trapeze**

The Delta Pro bed can be used with a free standing trapeze or a Drive Medical frame mounted trapeze.

# MAINTENANCE & WARRANTY

Drive recommends the following maintenance and cleaning procedures be conducted between users.

## ELECTRONICS

- Check all controls to make sure all functions work properly.
  - Foot control
  - Head control
- Check all cables for damaged or frayed wires.
  - Power cord
  - Pendant cord
- Check to make sure all plugs are fully inserted or attached.
- Check 9V battery on pendant and motor and replace annually.

## BED FRAME & SLEEPING SURFACE

- Visually check all welds.
  - Head section
  - Foot section
  - Main Frame
- Check joints between sleeping surface sections for loose fasteners.

## CLEANING

- If possible, remove patient/resident before cleaning bed.
- Prior to cleaning unplug power supply cord
- Ensure all electrical parts (motors, control boxes, wires and pendant) are not broken. Ensure that NO liquids enter electrical components.
- The metal parts of the bed are covered with a powder coating. Clean all coated parts with mild detergent and warm water.
- Raise head and foot sections of the bed to remove dust from frame.
- Remove mattress and clean mattress deck.
- Remove all gross/solid contaminants, then wash and sanitize all components. **DO NOT** submerge the bed frame or electrical components.
- Solvents, alcohol, bleach, caustic agents, high acid or alkaline solutions or petroleum based products should not be used on the bed.
- Use standard water pressure. **DO NOT** power wash or steam clean any parts.
- Rinse completely with water (Maximum temperature 110° F or 43° C). Do not rinse with cold water.
- Ensure all parts are dry before using or storing.

**NOTE:** This bed is NOT compatible with wash down tunnels.

## LUBRICATION & MECHANICAL

- Lubricate all caster roller and swivel bearings with light machine oil.
- Check all bolts and tighten as needed.

## WARRANTY

- Lifetime warranty on welds and frame.
- 5 year warranty on motor and hand control.
- 1 year warranty on all other parts and components.

During the warranty period, defective items will be repaired or replaced at Drive's option at no charge.

## BED SERIAL NUMBERS

Please include bed part #s and serial numbers when ordering parts or contacting Drive DeVilbiss Healthcare. These numbers can be found on the identification labels under the sleep deck on either side of the bed frame.

## PARTS

Drive DeVilbiss Healthcare beds contain a variety of parts that wear from normal use. Drive DeVilbiss Healthcare's responsibility under this warranty is limited to supplying replacement parts, servicing or replacing, at its option, which are found to be faulty by Drive DeVilbiss Healthcare. For warranty replacement, Drive DeVilbiss Healthcare may request that broken parts be sent back to them for evaluation. A credit will be issued only after the inspection and determination of cause.

## SERVICE

A majority of service requests can be handled by the local Distributor/Provider's maintenance department with assistance from Drive DeVilbiss Healthcare tech support. If a Drive DeVilbiss Healthcare technician is required, one will be provided by Drive DeVilbiss Healthcare at our discretion. Most parts can be shipped next day air at the customer's expense. This warranty is extended to the original purchaser of the equipment.

## SALES AND SERVICE

Contact Drive DeVilbiss Healthcare if you need any help with installation, usage or maintenance of the product. Corporate Office: Drive DeVilbiss Healthcare, 99 Seaview Blvd., Port Washington, NY 11050

Ph: 1-877-224-0946 Fax: 516-988-4601

Website: [www.drivemedical.com](http://www.drivemedical.com)

## END OF LIFE DISPOSAL

- Many components of this product may be recycled.
- Please dispose of non-recyclable items properly.



This marking indicates that this product should not be disposed with other household wastes. To prevent possible harm to the environment or human health from uncontrolled waste disposal, recycle responsibly to promote the sustainable reuse of material resources. To safely recycle your used device, please follow local governing ordinances and recycling guidelines regarding disposal of the product or its components.

**NOTE:** The information within this document is subject to change without notice. This manual includes important information about safety of personnel and equipment. As you read through this manual be aware of the four signal indicators.

# WARNINGS

## GENERAL WARNINGS

**DO NOT** use this product or any available optional equipment without first completely reading and understanding these instructions and any additional instructional material such as owner's manuals, service manuals or instruction sheets supplied with this product or optional equipment. If you are unable to understand the warnings, cautions or instructions, contact a healthcare professional, dealer or technical personnel before attempting to use this equipment - otherwise, injury or damage may occur.

Read all the instructions before using the bed.

Refer to the owner's manuals for beds and rails for additional product and safety information.

After any adjustments, repair or service and before use, make sure all attaching hardware is tightened securely.

After the bed has been assembled, always test to make sure that all sections of the bed are properly and securely in place before using.

**ALWAYS** use caster locks except when moving the bed.

Body weight should be evenly distributed over the surface of the bed. **DO NOT** lay, sit or lean in such a way that your entire body weight is placed only on raised head or foot sections of the bed. This includes when assisting the user in repositioning or transferring in or out of bed.

Check all parts for shipping damage and test before using. In case of damage, **DO NOT** use. Contact a qualified technician for further instruction.

Close supervision is necessary when this bed is used by or near children or people with disabilities.

**DO NOT** let any individual underneath the bed or in between the raised bed frame components at anytime.

**DO NOT** permit more than one person on/in the bed at any time.

**DO NOT** use outdoors.

**DO NOT** use this product or any available optional equipment without first completely reading and understanding these instructions and any additional instructional material such as owner's manuals, service manuals or instruction sheets supplied with this product or optional equipment. If you are unable to understand the warnings, cautions or instructions, contact a healthcare professional, dealer or technical personnel before attempting to use this equipment - otherwise, injury or damage may occur.

For Dealers Only - Set-up and Assembly Instructions are in the front of this manual. These procedures must be performed by qualified technicians only.

The March 2006 version of the FDA's bed safety guidelines are published by Hospital Bed Safety Workgroup. The latest revision of this document is available at <http://www.fda.gov>.

If the unit is not working properly, call a qualified technician to examine the unit and repair it.

Drive Medical products are specifically designed and manufactured for use in conjunction with Drive Medical accessories. Accessories designed by other manufacturers have not been tested by Drive Medical and are not recommended for use with Drive Medical products.

Keep all moving parts, including the main frame, mattress deck (head and foot sections) and all drive shafts free of obstruction (i.e. blankets/sheets, heating blankets/pads, tubing, wiring, etc. and other types of products using electric cords which may get tangled around the bed, side rails or legs) during operation of the bed.

Keep the product a minimum of 12 inches away from any direct heat source.

Make sure head and foot sections are locked in place and connected securely to the bed ends before use.

Physically challenged individuals who cannot prevent themselves from rolling/climbing out of the this bed may require alternative safe means of restraint.

Procedures other than those described in this manual must be performed by a qualified technician.

Risk of injury to persons - **DO NOT** place video equipment such as televisions or computer monitors on bed.

**NEVER** allow patients to use trapeze or traction units as a total individual weight support.

Trapeze units are to be used only for assisting the patient in repositioning or transferring into or out of bed.

Trapeze units must be positioned on a bed end as close as possible to the center point of the bed end.

The bed is not designed to be used as a patient transport. When transporting a patient, use an approved patient transport device. Otherwise, injury or damage may result.

The bed may be equipped with locking casters. When transferring into or out of the bed, always lock the locking caster(s). Inspect for correct locking action on caster locks

# WARNINGS

## GENERAL WARNINGS

before using bed. Even with casters properly locked, some flooring surfaces such as tile or wood, will allow the bed to move under some conditions. Use on surfaces such as these must be evaluated by the care provider.

The initial set up of this bed must be performed by a qualified technician.

The total weight limit of the Drive Medical 36 inch (91.4cm) wide Manual/Semi-Electric/Full Electric bed is 450 pounds (204 kg) which includes the weight of the occupant, all accessories such as mattress, side/assist rails, trapeze, any personal effects, etc.

Example: If total weight of mattress and all accessories is 100 lbs, then total occupant weight can be no more than 350 lbs.

Use this bed only for its intended use as described in these instructions. **DO NOT** use attachments not recommended by the manufacturer.

After raising/lowering the head/foot end of the bed, check the distance between the bottom of the bed rail and the mattress. If there is excessive distance between the bottom of the bed rail and the mattress in which individuals may become entangled, adjust the height of the bed rail (if applicable), or provide alternative means of patient protection.

Once patient assessment concludes that the patient's condition increases the chance of entrapment, the bed **MUST** be in the flat position when left unattended.

Proper patient assessment and monitoring, and proper maintenance and use of equipment is required to reduce the risk of entrapment. Variations in bed rail dimensions, and mattress thickness, size or density could increase the risk of entrapment. Visit the FDA website at <http://www.fda.gov> to learn about the risks of entrapment.

Replacement mattresses and bed side rails with dimensions different than the original equipment supplied or specified by the bed frame manufacturer are not interchangeable. Variations in bed side rail design, width and thickness or firmness of the mattress could cause/contribute to entrapment. Use only authorized Drive Medical replacement parts and/or accessories otherwise the warranty is void. Drive Medical will not be responsible for any damage or injury that may result.

To reduce the risk of entrapment make certain that the bed rail cross braces **DO NOT** exceed the width of the mattress. Mattress **MUST** fit bed frame and side rails snugly to reduce the risk of entrapment.

When operating this bed, **ALWAYS** ensure that the individual utilizing the bed is positioned properly within the confines of the bed. **DO NOT** let any extremities protrude over the side or between the bed rails when performing these functions.

Drive Medical recommends that the mattress be centered on the bed frame. Otherwise, individuals may become entangled between the bed rail and the bed frame.

Mattress **MUST** fit bed frame and assist rails snugly to reduce the risk of entrapment.

## SAVE THESE INSTRUCTIONS

**NOTE:** Updated versions of this manual are available on [www.DriveMedical.com](http://www.DriveMedical.com).

# ELECTROMAGNETIC EMISSION AND IMMUNITY

This MEDICAL ELECTRICAL EQUIPMENT needs special precautions regarding EMC and needs to be installed and put into service according to the EMC information provided in the table below.

Portable and mobile RF communications equipment can affect MEDICAL ELECTRICAL EQUIPMENT



## WARNING

The use of ACCESSORIES, transducers and cables other than those specified, with the exception of transducers and cables sold by the manufacturer of the EQUIPMENT or SYSTEM as replacement parts for internal components, may result in increased EMISSION or decreased IMMUNITY of the EQUIPMENT or SYSTEM.

Below cables information are provided for EMC reference

Cable	Max. cable length, Shielded/unshielded		Number	Cable classification
AC Power Line	3.8m	Unshielded	1 Set	AC Power
Signal Line (from remote control part to be main body)	3.2m	Unshielded	1 Set	DC Power



## WARNING

### Important information regarding Electro Magnetic Compatibility (EMC)

SEMI ELECTRIC BED WITH MANUAL LEG ADJUST requires special precautions regarding EMC when put into service according to the EMC information provided in the user manual; SEMI ELECTRIC BED WITH MANUAL LEG ADJUST conforms to this IEC 60601-1-2:2014 standard for both immunity and emissions. Nevertheless, special precautions need to be observed:

SEMI ELECTRIC BED WITH MANUAL LEG ADJUST with no ESSENTIAL PERFORMANCE is intended for use in a professional healthcare facility environment and homecare environment.

WARNING: Portable RF communications equipment (including peripherals such as antenna cables and external antennas) should be used no closer than 30 cm (12 inches) to any part of the SEMI ELECTRIC BED WITH MANUAL LEG ADJUST, including cables specified by the manufacturer. Otherwise, degradation of the performance of this equipment could result.”

The use of accessories and cables other than those specified by Drive DeVilbiss Healthcare, with the exception of accessories and cables sold by Drive DeVilbiss Healthcare for use with the SEMI ELECTRIC BED WITH MANUAL LEG ADJUST as replacement parts for internal components, may result in increased EMISSIONS or decreased IMMUNITY of the SEMI ELECTRIC BED WITH MANUAL LEG ADJUST.

WARNING: Use of this equipment SEMI ELECTRIC BED WITH MANUAL LEG ADJUST adjacent to or stacked with other equipment should be avoided because it could result in improper operation. ”

# EMI COMPLIANCE TABLE

**Table 1 - Emission**

Phenomenon	Compliance	Electromagnetic environment
RF emissions	CISPR 11 Group 1, Class B	Professional healthcare facility environment and homecare environment

**Table 2 - Enclosure Port**

Phenomenon	Basic EMC standard	Immunity test levels
		Professional healthcare facility environment and homecare environment
Electrostatic Dis-charge	IEC 61000-4-2	±8 kV contact ±2kV, ±4kV, ±8kV, ±15kV air
Radiated RF EM field	IEC 61000-4-3	10V/m
		80MHz-2.7GHz
		80% AM at 1kHz
Proximity fields from RF wireless communications equipment	IEC 61000-4-3	Refer to table 3
Rated power frequency magnetic fields	IEC 61000-4-8	30A/m 50Hz or 60Hz

**Table 3 - Proximity fields from RF wireless communications equipment**

Test frequency (HHz)	Band (MHz)	Immunity test levels
		Professional healthcare facility environment and homecare environment
385	380-390	Pulse modulation 18Hz, 27V/m
450	430-470	FM, ±5kHz deviation, 1kHz sine, 28V/m
710	704-787	Pulse modulation 217Hz, 9V/m
745		
780		
810	800-960	Pulse modulation 18Hz, 28V/m
870		
930		
1720	1700-1990	Pulse modulation 217Hz, 28V/m
1845		
1970		
2450	2400-2570	Pulse modulation 217Hz, 28V/m
5240	5100-5800	Pulse modulation 217Hz, 9V/m
5500		
5785		

**Table 4 - Input AC power Port**

Phenomenon	Basic EMC standard	Immunity test levels
		Professional healthcare facility environment and homecare environment
Electrical fast transients/ burst	IEC 61000-4-4	±2 kV 100kHz repetition frequency
Surges Line-to-line	IEC 61000-4-5	±0.5 kV, ±1 kV
Conducted disturbances induced by RF fields	IEC 61000-4-6	3V, 0.15MHz-80MHz  6V in ISM bands and amateur radio bands between 0.15MHz and 80MHz  80%AM at 1kHz
Voltage dips	IEC 61000-4-11	0% UT; 0.5 cycle  At 0°, 45°, 90°, 135°, 180°, 225°, 270° and 315°
		0% UT; 1 cycle and 70% UT; 25/30 cycles
		Single phase: at 0°
Voltage interruptions	IEC 61000-4-11	0% UT; 250/300 cycles

**Table 5 – Signal input/output parts Port**

Phenomenon	Basic EMC standard	Immunity test levels
		Professional healthcare facility environment and homecare environment
Electrical fast transients/ burst	IEC 61000-4-4	±1 kV 100kHz repetition frequency
Conducted disturbances induced by RF fields	IEC 61000-4-6	3V, 0.15MHz-80MHz 6V in ISM bands and amateur radio bands between 0.15MHz and 80MHz 80%AM at 1kHz



**ELECTRICAL SAFETY WARNINGS**

A safety feature of this product includes protection against overheating caused by excessive or extended periods of operation. Depending on the duration, this includes multiple or repeated adjustments or the use of multiple functions at one time. To ensure trouble free operation, always allow a slight pause between multiple adjustments and avoid pressing more than one function button at a time. If thermal protection activation should occur, the bed will not respond to pendant commands. Given this situation, release the pendant button and allow the bed unit to sit for several minutes. This will allow the protection function time to reset and restore bed function. Depending on severity of the initial overheating, this could take up to 30 minutes.



Allow a slight pause between adjustments and avoid pressing multiple buttons at the same time. If pendant buttons are depressed too rapidly or multiple buttons are pressed at the same time, the desired feature may not activate. Simply release the pendant button, permit a slight pause and then activate the next operation.

Always unplug the bed from the electrical outlet before cleaning.

**DO NOT** open assemblies such as the motors, motor housing or pendant. No user serviceable parts are inside. Only qualified technicians are permitted to repair these parts. If unqualified individuals perform any work on these beds, the warranty is void.

**DO NOT** place pendant under or between objects. This may unintentionally press the buttons and may cause injury or damage.

Electronic equipment may be influenced by Radio Frequency Interference (RFI). Caution should be exercised with regard to the use of portable communications equipment in the area around such equipment. If RFI causes erratic behavior, unplug the electric bed IMMEDIATELY. Leave unplugged while transmission is in progress.

Ensure all cables and cords are routed such that they will not become entangled or pinched. Otherwise damage or injury may result.

If a button on the pendant sticks or does not release and/or one of the functions will not stop moving. Unplug the power cord from the electrical supply outlet and take the bed out of service for repair.

If a liquid is spilled in or around the electric bed, unplug the electric bed before cleaning. Clean up the spill and allow the electric bed or the area around the electric bed to dry thoroughly before using the electric controls again.

Inspect the covering of the hand pendant panel to assure that the covering is not cracked or damaged. Keep all electrical cords away from heated or hot surfaces.

Keep the cord away from heated surfaces.

NEVER operate this bed if it has a damaged cord or plug, if it is not working properly, if it has been dropped, damaged, or dropped into water. Return the bed to a service center for examination and repair.

On Full Electric beds, the Hi/Lo crank MUST be removed before the bed is used. Failure to remove the crank may cause damage or personal injury.

Refer servicing to qualified personnel only. Grounding reliability depends upon a properly grounded wall outlet.

The pendant and power cords must be routed and secured properly to ensure that the cords **DO NOT** become entangled, pinched and/or severed during operation of the electric bed.

Unplug from the outlet before servicing. Unplug the power cord from its power source before performing any maintenance on the manual/electric bed.

Use caution when disconnecting the pendant. **DO NOT** press pendant buttons.

When bed is not to be used for an extended period, unplug electric bed from the wall outlet.

When using an extension cord, use an extension cord having at least 16 AWG (American Wire Gauge) wire and the same or higher electrical rating as the device being connected. Use of improper extension cord could result in a risk of fire and electric shock.

When using nasal or masked type oxygen administering equipment, the oxygen or air tubing MUST be routed and secured properly to ensure that the tubing does not become entangled and/or severed during normal operation of the bed.

**DO NOT** use near explosive gases.

Possible fire hazard when used with oxygen administering equipment other than nasal or masked type.

Use masked or nasal type oxygen administering equipment only in conjunction with this bed. The use of ANY other type of oxygen administering equipment can result in a fire hazard.

# TROUBLESHOOTING GUIDE



## WARNING

Before doing any repairs or maintenance to the bed frame, read all instructions, cautions, and warnings. Repairs should be done by a skilled technician.

Problem	Solution
<p>If bed movement does not occur when pendant control button is pushed.</p>	<ol style="list-style-type: none"> <li>1. Adjustment may already be at maximum or minimum level.</li> <li>2. Bed is not plugged into wall outlet and backup 9V battery has not been installed or is dead. Plug bed into wall outlet.</li> <li>3. Repeated adjustments or use of multiple adjustments simultaneously may trip thermal protection overload. Allow bed to sit for several minutes to reset. This can take up to 30 minutes depending on overload severity.</li> <li>4. Pendant cord may be damaged. Check cord for damage. If cord is damaged, discontinue bed usage until cord is replaced.</li> <li>5. Pendant connection may be loose or damaged. Reconnect the pendant to the connection on motor housing - follow instruction on page 19.</li> <li>6. Bed may be overloaded or constrained from moving. Determine load and check for obstructions.</li> </ol>
<p>Crank or Hi/ Lo Bed. If Bed will not Raise and Lower</p>	<ol style="list-style-type: none"> <li>1. Ensure Gear Box Crank connections on both Bed Ends are facing outward so accessible to hand crank.</li> <li>2. Ensure Hand Crank is properly engaged into bed end gear box.</li> <li>3. Drive Shaft may not be installed or is incorrectly installed. Ensure Drive Shaft is properly connected to both Bed End gearboxes.</li> <li>4. To work properly, Bed Ends must be installed as a set: Bed End at Head Section will say "HEAD" on the top and sides and at the Foot Section will say "FOOT" on the top and sides.</li> </ol>
<p>Crank or Hi/ Lo Bed. Drive Shaft is too long or too short</p>	<ol style="list-style-type: none"> <li>1. Depress adjustment pin and extend/retract shaft to position in the "Semi" hole location</li> </ol>
<p>Dual Motor cannot be installed to bed deck</p>	<ol style="list-style-type: none"> <li>1. Make sure both white motor blocks are in the fully retracted position. Plug in power cord, depress down buttons on hand pendant until motor blocks are full retracted.</li> </ol>
<p>Manual Adjust Bed Ends. Legs will not stay in place</p>	<ol style="list-style-type: none"> <li>1. Ensure spring loaded Thumb Screw is fully tightened in the clockwise direction to fully engage with the adjustable leg.</li> </ol>