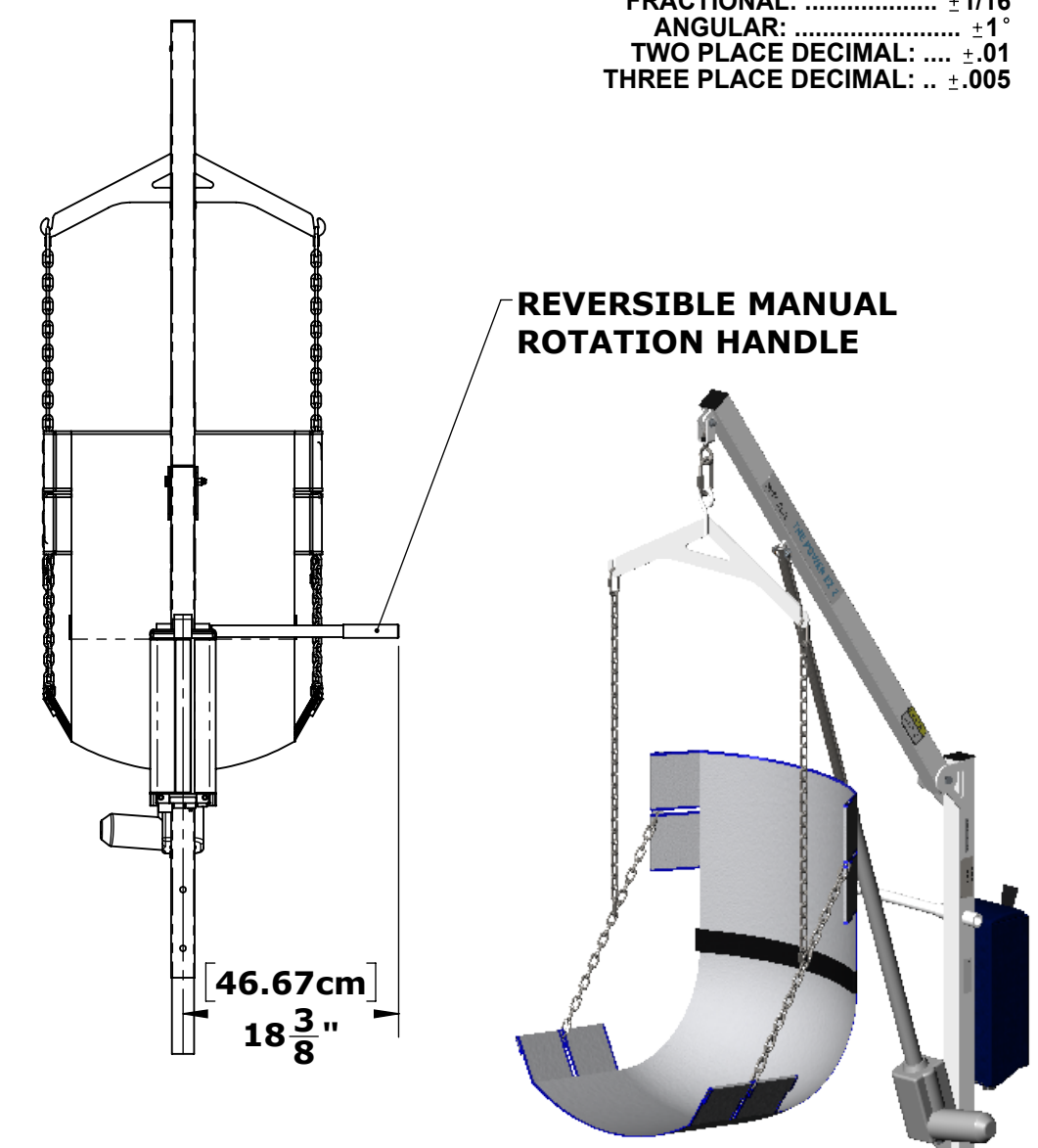
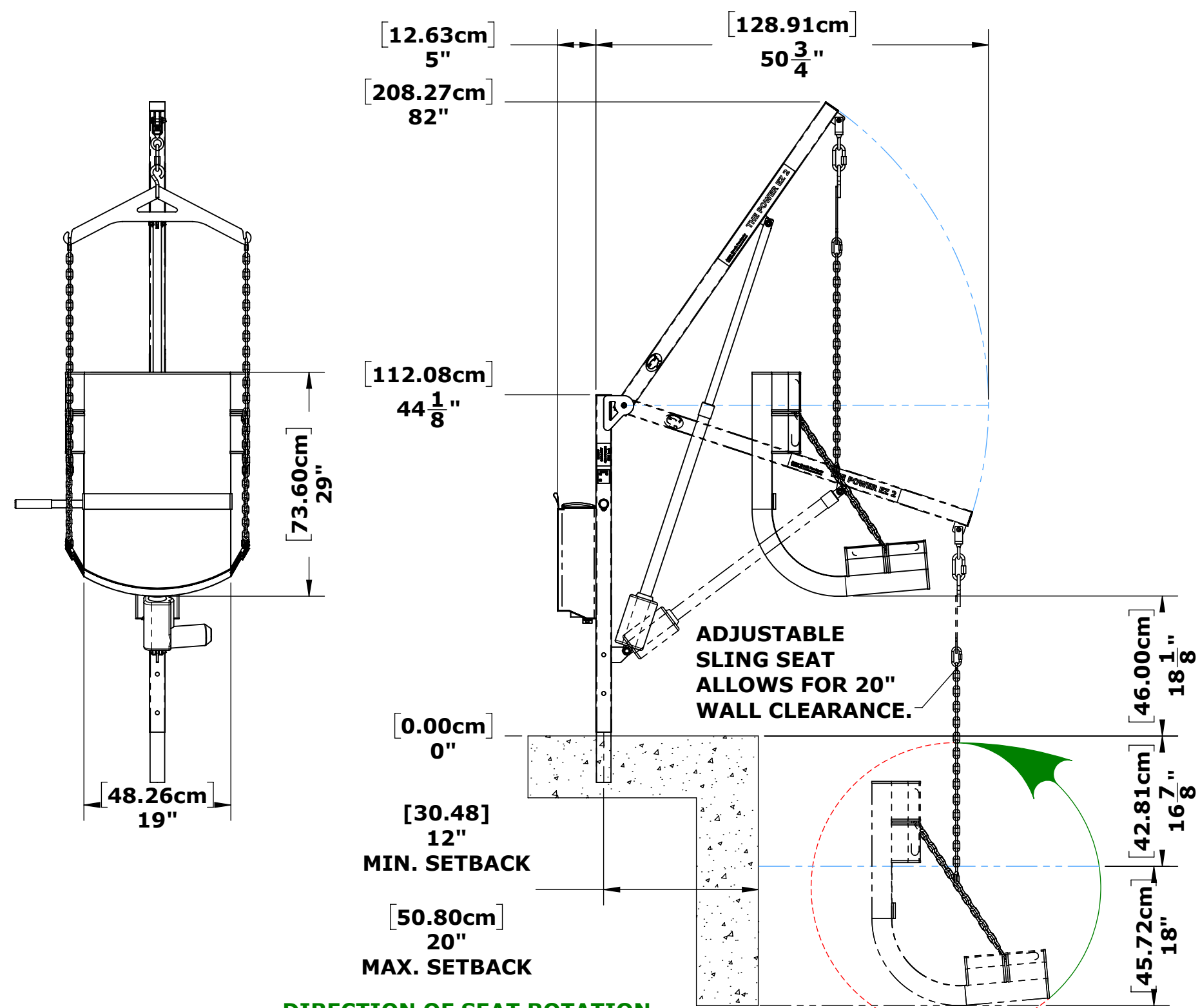


TOLERANCES
 DIMENSIONS ARE IN INCHES
 UNLESS OTHERWISE SHOWN
 FRACTIONAL: ±1/16
 ANGULAR: ±1°
 TWO PLACE DECIMAL: ±.01
 THREE PLACE DECIMAL: .. ±.005

POWER EZ 2 - INV01526



FEATURES

- ◆ 400 LB. (181 KG.) WEIGHT CAPACITY
- ◆ SETBACK RANGE 12" TO 20" (30 - 50 cm)
- ◆ CLEARS WALLS UP TO 20" (50cm)
- ◆ 360° ROTATION
- ◆ ALL STAINLESS STEEL CONSTRUCTION
- ◆ DURABLE POWDER COAT FINISH
- ◆ FULLY ADJUSTABLE MESH SLING
- ◆ FIVE YEAR STRUCTURAL WARRANTY
- ◆ FIVE YEAR PRO-RATED ELECTRONICS WARRANTY

CLICK HERE TO VIEW THIS PRODUCT:
[HTTPS://AQUACREEKPRODUCTS.COM/PE2POLLIFT/](https://aquacreekproducts.com/pe2pollift/)

DIRECTION OF SEAT ROTATION - SLIGHT ROTATION BACK WHILE SLING SEAT IS IN USE.

POWER EZ 2
CATALOG NO. F-PEZPL2
PART NO. INV01526

MATERIAL: 304 STAINLESS STEEL
FINISH: POWDER COAT - WHITE
APPROX. WEIGHT: 74.50 LBS.



9889 GARRYMORE LANE
 MISSOULA, MT 59808
 (406) 549-0769
 FAX (406) 549-2602
 www.AquaCreek.com

PROPRIETARY AND CONFIDENTIAL INFORMATION
 THIS DRAWING AND ALL INFORMATION CONTAINED HEREIN IS THE SOLE PROPERTY OF AQUA CREEK PRODUCTS LLC. ANY REPRODUCTION IN PART OR AS A WHOLE WITHOUT WRITTEN PERMISSION FROM AQUA CREEK IS PROHIBITED.
 *SPECIFICATIONS ARE SUBJECT TO CHANGE WITHOUT NOTICE

REVISIONS			
REV.	DESCRIPTION	DATE	APPROVED
P1	PRODUCTION RELEASE	6/25/2021	J.MAXWELL