



THE LEADERS IN RECREATION, FITNESS, AND ABILITY!

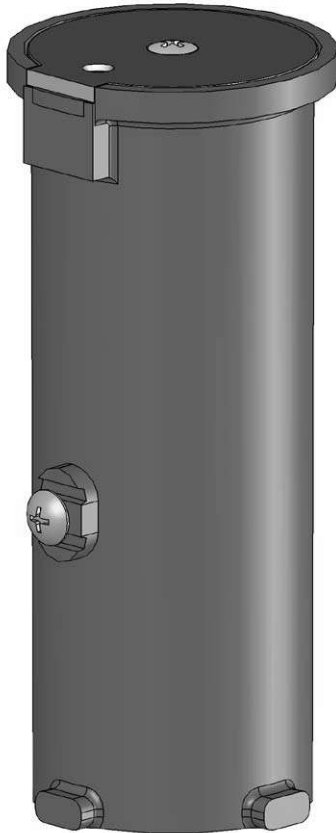
9889 Garrymore Ln

Missoula, MT 59808

888-687-3552 | +1-406-549-0769

www.aquacreek.com

Scout & Mighty Anchor Instructions



PART #: F-808SA

MANDATORY

LEAVE THIS MANUAL WITH LIFT OWNER

Read and follow all instructions.

Lift safety can only be ensured if the lift is installed and operated according to these instructions.

- NEVER permit children to play on or around the lift
- Do not allow children to use the lift without adult supervision
- NEVER apply direct water pressure to the electronics
- NEVER use the lift with a dry pool

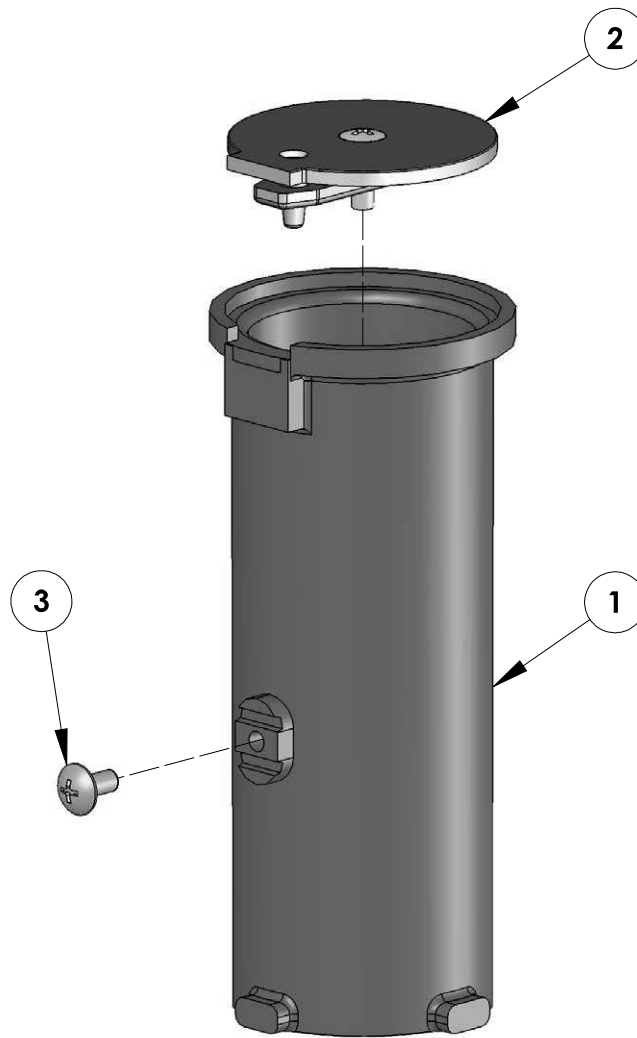
READ CAREFULLY

Check entire box and all packing materials for parts. Before beginning assembly, read the instructions and identify parts using the figures and parts listed in this document.

It is critical that all parts be carefully inspected prior to installation. If any damage occurred in transit, Aqua Creek Products, LLC must be notified within three days of receipt of unit.

Proper installation cannot be overstressed, as an improper installation voids Aqua Creek's warranty and may affect the safety of the user.

Parts List



ITEM #	QTY	PART #	DESCRIPTION
1	1	PS-6019-BC	ANCHOR, BRONZE, 1.9" X 6", SCOUT
2	1	PS-60-CAP	CAP, FLUSH MOUNT CAP
3	1	SPH 10 X 3/8 BRASS	SCREW, BRASS, 10-24 X 3/8" PANHEAD

Scout Installation: ADA Guidelines

ADA REQUIREMENTS (For Commercial Applications):

The Scout 2 Lift is completely ADA Compliant when installed correctly. The installation must meet the following requirements:

- Clear deck space dimensions (see FIGURE 1)
- Install lift a minimum of 19 inches from the pool edge (For curved pool walls contact Aqua Creek for placement)
- Deck slope no greater than 1:48
- The seat must be submerged at least 18 inches into the water. The lift should be installed at a location with 42-48 inches of depth (deck to pool floor)

NOTE: Other requirements may be necessary based on local code requirements. The anchor system should be bonded according to NEC Section 680 and/or local code requirements.

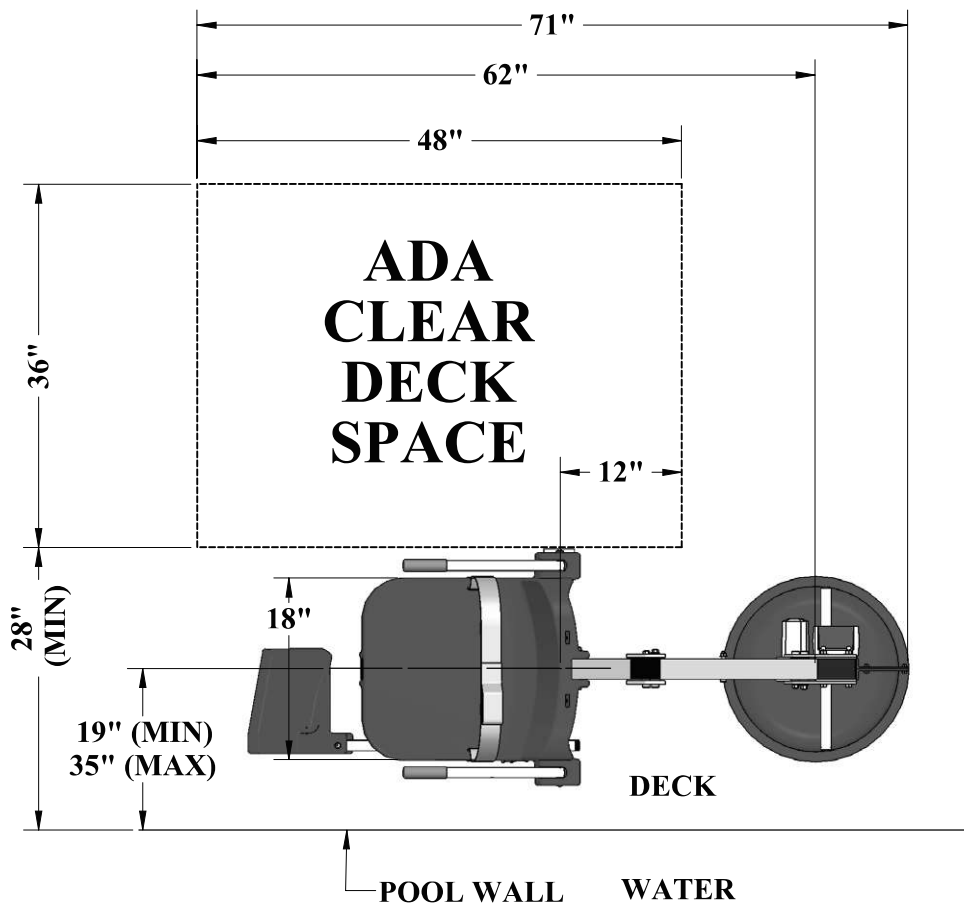


FIGURE 1

Anchor Installation: Core-drill Retro-fit (Typical Concrete Pool Deck Installation)

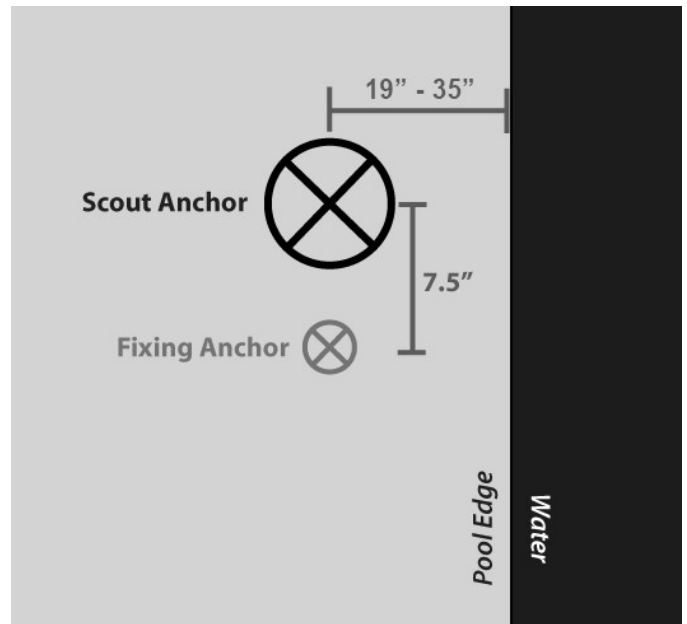
Your deck MUST have:

- Minimum footing size: 3' - 9" x 3' - 9" x 10" thick.
- Minimum concrete strength: 2500 psi
- Reinforcement: #5 rebar @ 10" on center (O.C.)

TOOLS REQUIRED:

CORE DRILL	MARKING PEN
3" CORE DRILL BIT	AIR NOZZLE & PUMP/COMP.
1 1/2" CORE DRILL BIT	HEAT GUN (OPTIONAL)
EPOXY (ANCHOR ADHESIVE)*	MASKING TAPE

*Use HILTI RE-500-SD adhesive anchor or SIMPSON SET-XP anchor adhesive or equivalent.



NOTE: Your local codes may require one or more permits. Check with your local building codes for the proper permit requirements.

1. Mark the center of the anchor location on your deck using the guidelines on page 3. Also mark the center for the fixing anchor 7 1/2" from the center anchor.
2. Using a 3" diameter core-drill bit, drill a 3" diameter hole at the anchor location. Make sure to keep the bit square to the deck. Drill straight down to a depth of at least 6". Then use a 1 1/2" drill bit for the fixing anchor, drilling down at least 4"

NOTE: Create a depth marker on the drill bit with black electrical tape to make sure you drill to the right depth.
If you drill through the deck you may need to use the saw-cut installation instructions.

3. Remove plug and clean out the holes with a wire brush. Insert an air nozzle to the bottom of the hole. Use a pump or compressed air to blow out the hole. A heat-gun may be helpful in drying out the hole.

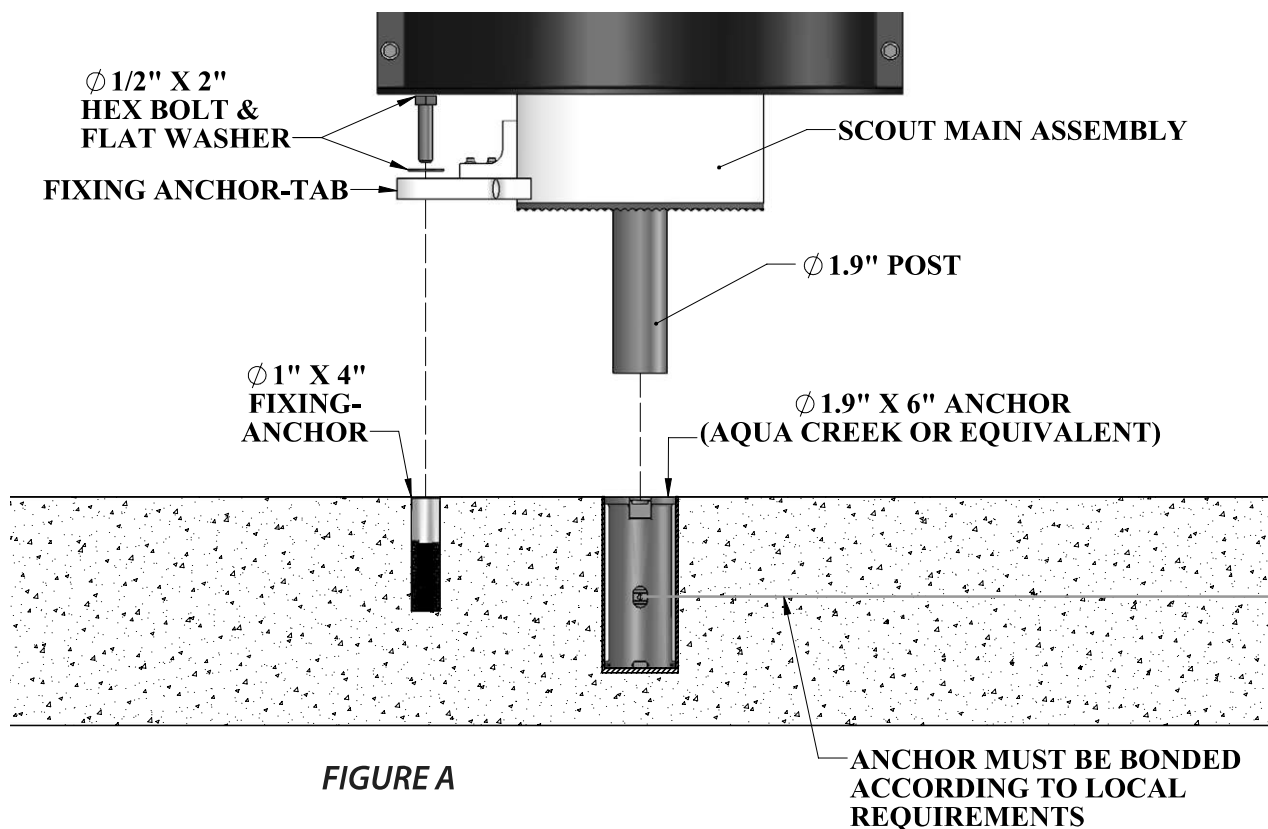
Anchor Installation: Core-drill Retro-fit (CONTINUED)

4. Place the anchor in the hole and 'dry-fit' it first to make sure the anchor will be flush and plumb with the finished deck surface when installed. Adjust the hole as needed.

NOTE: Pool decks with pavers or thick tiles may require other anchor options. Contact Aqua Creek Products.

5. Inject epoxy adhesive into each hole starting at the bottom until the hole is 1/3 to 1/2 full.

NOTE: We recommend using masking tape around the top of the anchors so that no epoxy gets inside the anchors.



6. Install the anchor into the epoxy filled hole by pushing down and twisting back and forth to evenly distribute the epoxy around the anchor. Push down until it is flush with the finished deck surface. Clean off any excess epoxy. Adjust the anchor as needed to make sure it is flush and plumb with the deck surface. This should be done during the adhesives' specified 'gel time' (see epoxy manufacturers' instructions).

7. Let the epoxy cure for at least 24 hours before installing the lift (or where applicable according to the epoxy manufacturers' instructions).

Anchor Installation: Saw-cut Retro-fit/New construction

1. Mask the bottom hole of the anchor sleeve to prevent concrete from seeping in.
2. Install rebar in the 3'-9" x 3'-9" section of the deck that will be thickened to 10". SEE FIGURES B & C.
3. Set the bronze anchor sleeve in place. Make sure the center of the anchor sleeve is no more than 36" from the pool's edge. Set the fixing anchor insert 7 1/2" from the center of the anchor sleeve. Fixing anchor may be located anywhere on the deck, as long as it is 7 1/2" from the center of the anchor sleeve. SEE FIGURE B.
4. Bond the anchor sleeve according to your local code requirements by using the bonding lug and bonding screw on the side of the anchor sleeve.
5. Pour your concrete and finish the pool deck surface.
6. Once the concrete has cured, your lift is ready to be mounted into the anchor sleeve.

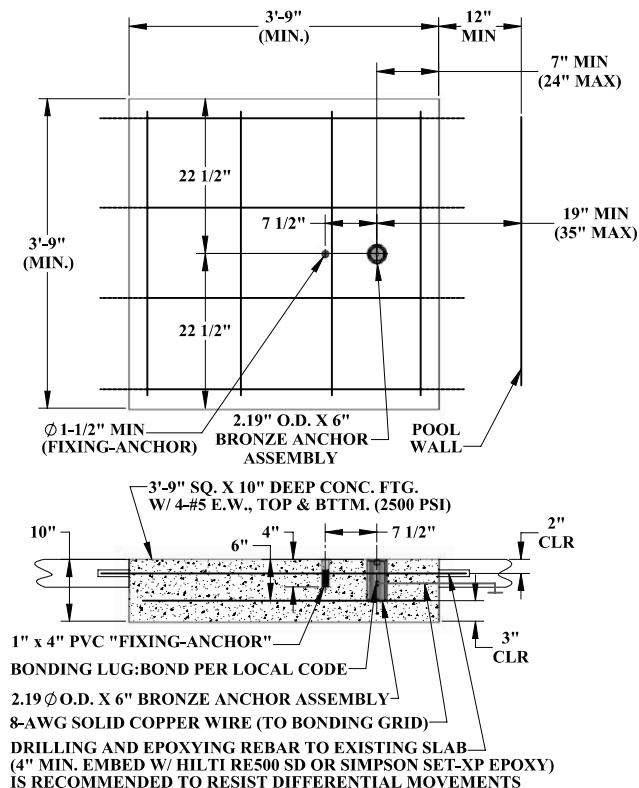


FIGURE B

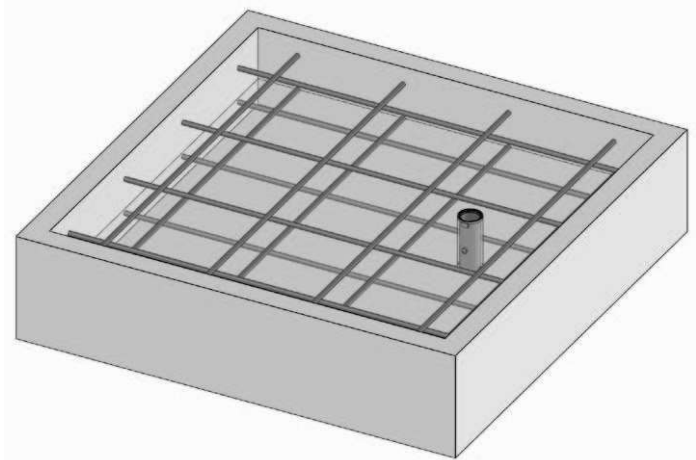


FIGURE C

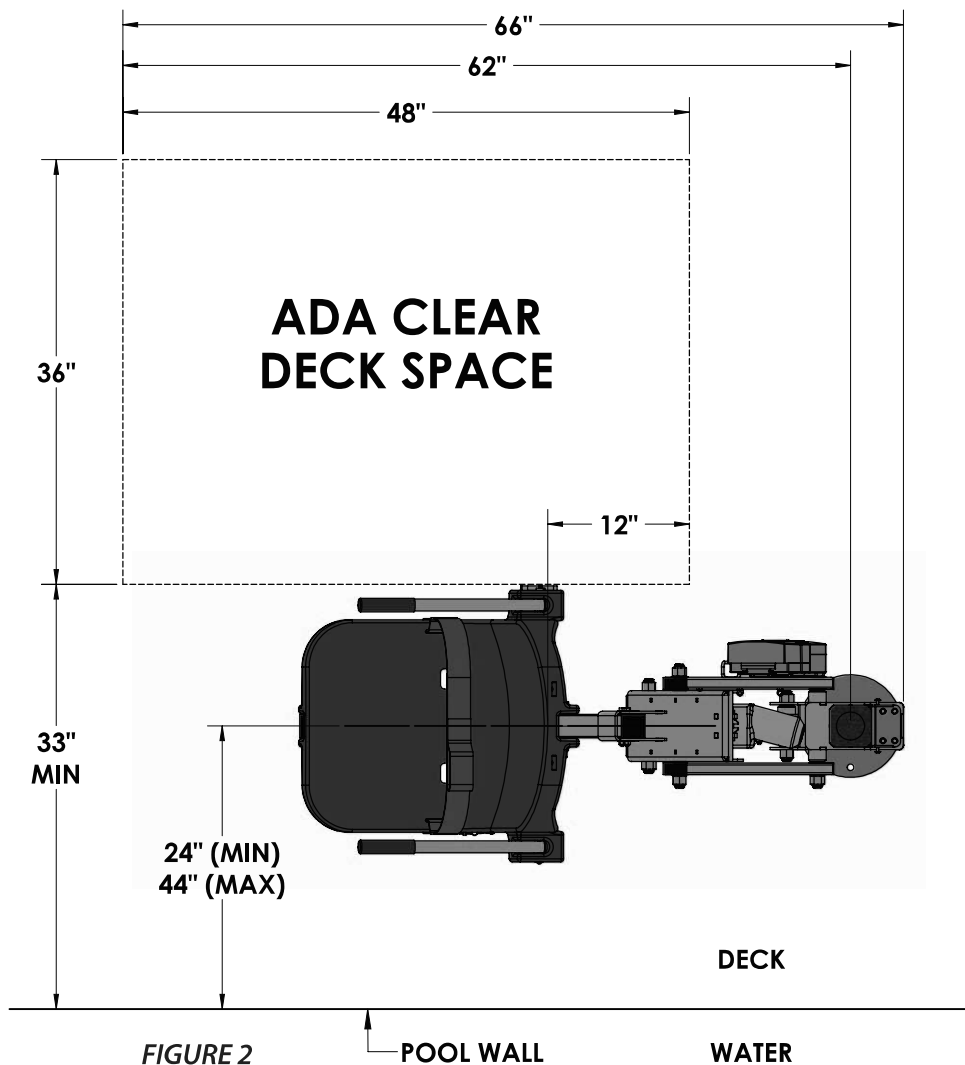
Mighty Installation: ADA Guidelines

ADA REQUIREMENTS (For Commercial Applications):

The Mighty lift is completely ADA compliant when installed correctly. The installation must meet the following requirements:

- Clear deck space dimensions (see FIGURE 2)
- Install lift a minimum of 24 inches from the pool edge (For curved pool walls contact Aqua Creek for placement)
- Deck slope no greater than 1:48
- The seat must be submerged at least 18 inches into the water. The lift should be installed at a location with 42-48 inches of depth (deck to pool floor)

NOTE: Other requirements may be necessary based on local code requirements. The anchor system should be bonded according to NEC Section 680 and/or local code requirements.



Anchor Installation: Core-drill Retro-fit (Typical Concrete Pool Deck Installation)

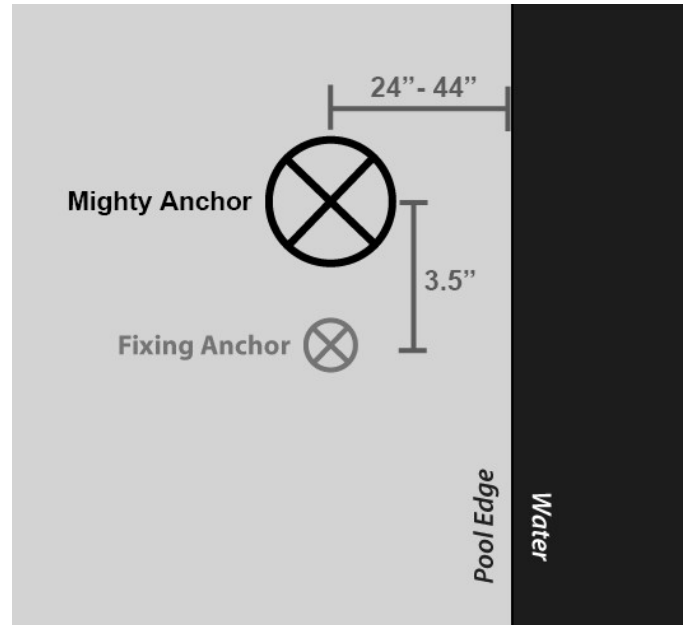
Your deck MUST have:

- Minimum footing size: 4' - 6" x 4' - 6" x 10" thick.
- Minimum concrete strength: 2500 psi
- Reinforcement: #5 rebar @ 10" on center (O.C.)

TOOLS REQUIRED:

CORE DRILL	MARKING PEN
3" CORE DRILL BIT	AIR NOZZLE & PUMP/COMP.
1 1/2" CORE DRILL BIT	HEAT GUN (OPTIONAL)
EPOXY (ANCHOR ADHESIVE)*	MASKING TAPE

*Use HILTI RE-500-SD adhesive anchor or SIMPSON SET-XP anchor adhesive or equivalent.



NOTE: Your local codes may require one or more permits. Check with your local building codes for the proper permit requirements.

1. Mark the center of the anchor location on your deck using the guidelines on page 7. Also mark the center for the fixing anchor 3 1/2" from the center anchor.
2. Using a 3" diameter core-drill bit, drill a 3" diameter hole at the anchor location. Make sure to keep the bit square to the deck. Drill straight down to a depth of at least 6". Then use a 1 1/2" drill bit for the fixing anchor, drilling down at least 4"

NOTE: Create a depth marker on the drill bit with black electrical tape to make sure you drill to the right depth.

If you drill through the deck you may need to use the saw-cut installation instructions.

3. Remove plug and clean out the holes with a wire brush. Insert an air nozzle to the bottom of the hole. Use a pump or compressed air to blow out the hole. A heat-gun may be helpful in drying out the hole.

continued on page 9

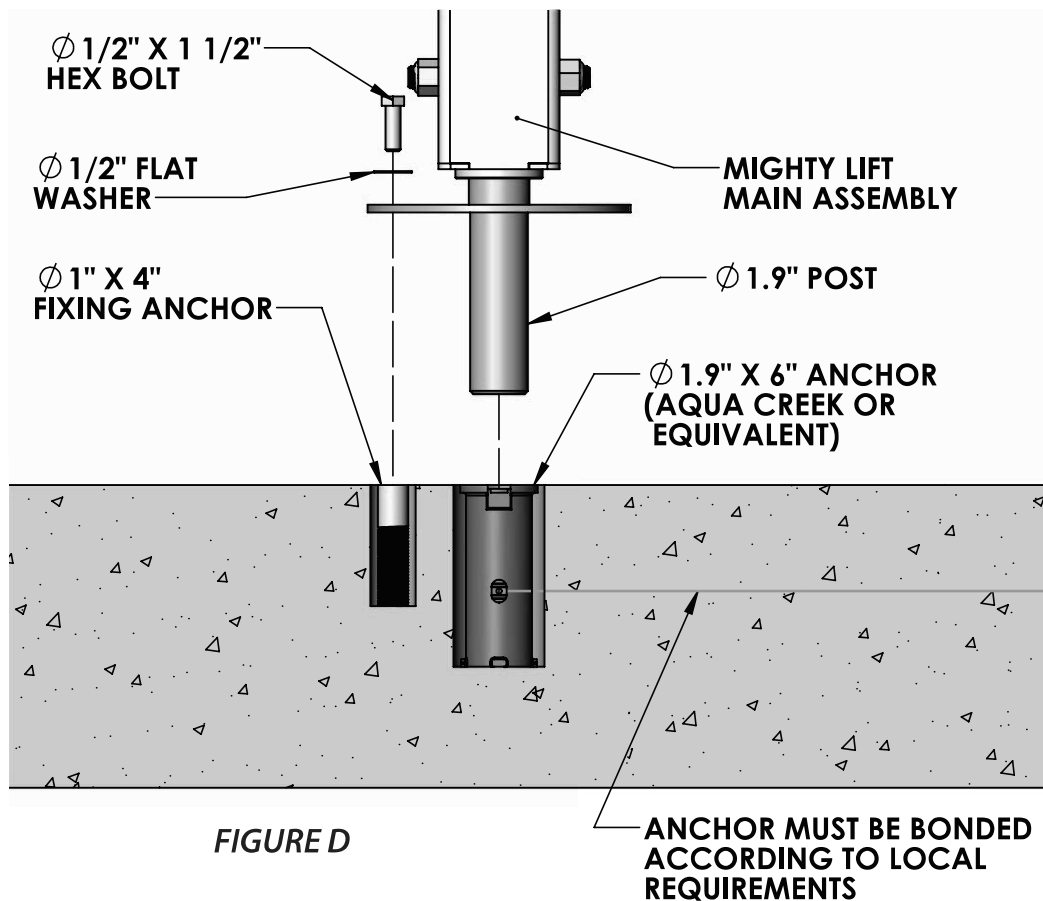
Anchor Installation: Core-drill Retro-fit (CONTINUED)

4. Place the anchor in the hole and 'dry-fit' it first to make sure the anchor will be flush and plumb with the finished deck surface when installed. Adjust the hole as needed.

NOTE: Pool decks with pavers or thick tiles may require other anchor options. Contact Aqua Creek Products.

5. Inject epoxy adhesive into each hole starting at the bottom until the hole is 1/3 to 1/2 full.

NOTE: We recommend using masking tape around the top of the anchors so that no epoxy gets inside the anchors.



6. Install the anchor into the epoxy filled hole by pushing down and twisting back and forth to evenly distribute the epoxy around the anchor. Push down until it is flush with the finished deck surface. Clean off any excess epoxy. Adjust the anchor as needed to make sure it is flush and plumb with the deck surface. This should be done during the adhesives' specified 'gel time' (see epoxy manufacturers' instructions).

7. Let the epoxy cure for at least 24 hours before installing the lift (or where applicable according to the epoxy manufacturers' instructions).

Anchor Installation: Saw-cut Retro-fit/New construction

1. Mask the bottom hole of the anchor sleeve to prevent concrete from seeping in.
2. Install rebar in the 4'-6" x 4'-6" section of the deck that will be thickened to 10". SEE FIGURES E & F.
3. Set the bronze anchor sleeve in place. Make sure the center of the anchor sleeve is no more than 44" from the pool's edge. Set the fixing anchor insert 3 1/2" from the center of the anchor sleeve. Fixing anchor may be located anywhere on the deck, as long as it is 3 1/2" from the center of the anchor sleeve. SEE FIGURE E.
4. Bond the anchor sleeve according to your local code requirements by using the bonding lug and bonding screw on the side of the anchor sleeve.
5. Pour your concrete and finish the pool deck surface.
6. Once the concrete has cured, your lift is ready to be mounted into the anchor sleeve.

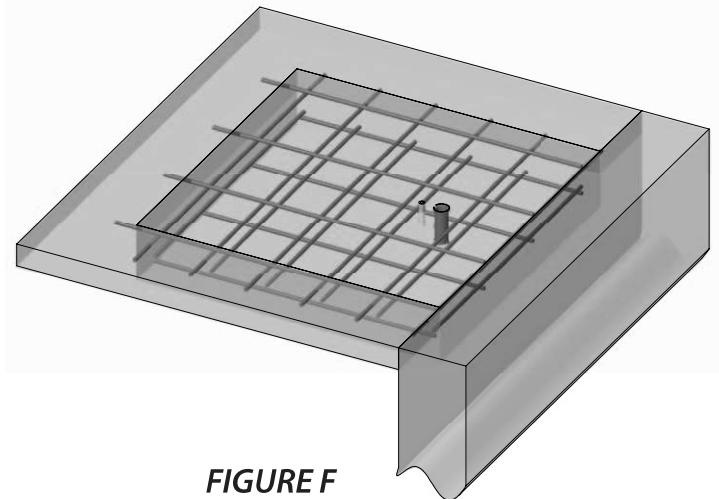
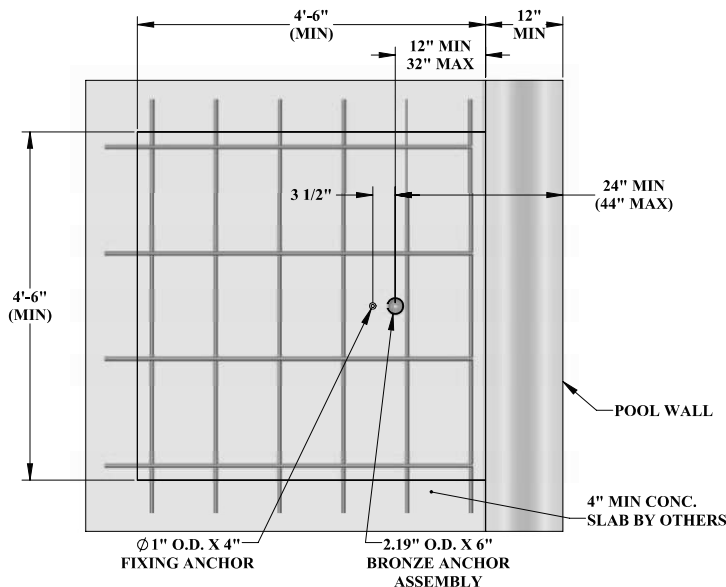


FIGURE F

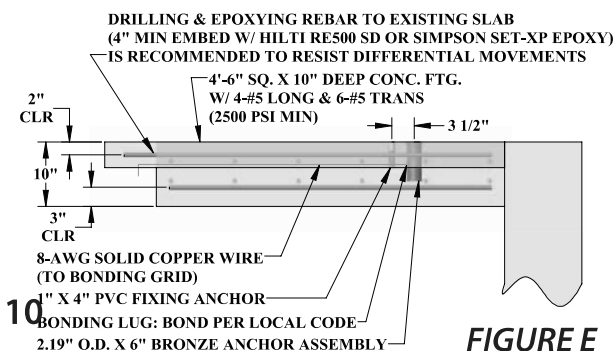


FIGURE E