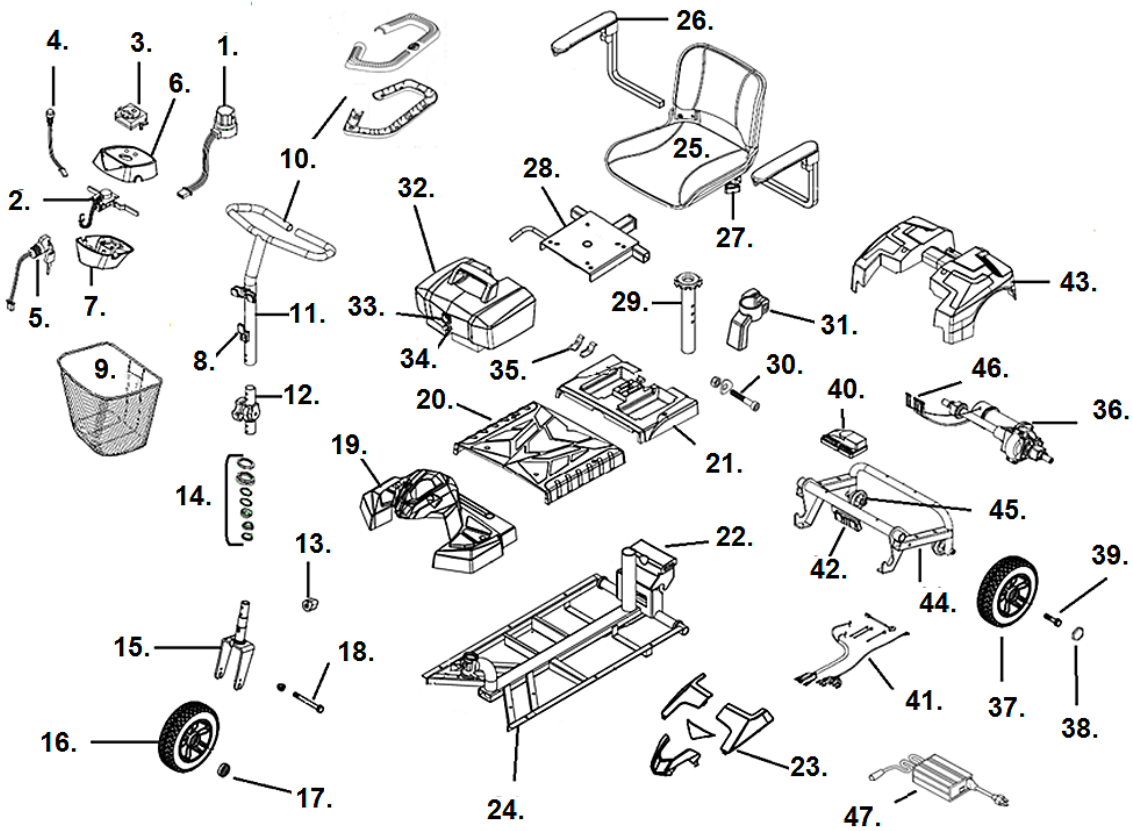


SCOUT 3



- | | |
|--|---|
| <p>1. Speed Dial- BC31001
Speed Dial Knob- LRM412103-11</p> <p>2. Throttle Assembly Old- **
Throttle Assembly New- S12-069-00300
** Stock is gone use new style.</p> <p>3. Battery Gauge (4 LEDs)- SC31004
Battery Gauge (8 LEDs)- C11-076-00100 *
* After Serial # VP035868</p> <p>4. Horn Button- SC31034</p> <p>5. Key Switch Assembly- BC31006
Key- BCKEY</p> <p>6. Upper Tiller Cover- SC31008</p> <p>7. Lower Tiller Cover- SC31009</p> <p>8. Basket Bracket- BC35051</p> <p>9. Basket- S35003-P</p> <p>10. Handgrip Foam- SC31002
Handgrip Plastic- SC32054</p> <p>11. Tiller- SC31001</p> <p>12. Tiller Swivel Assembly- SC31010</p> <p>13. Tiller Lock- C08-069-01000</p> <p>14. Tiller Bearing Set- BC31021</p> <p>15. Fork- SC31038</p> <p>16. Front Wheel Black- SC31043
Deluxe Front Wheel- SC31044-D</p> <p>17. Front Wheel Bearing- VENT-89</p> <p>18. Front Axle- SC31046</p> <p>19. Front Shroud- SC31039</p> <p>20. Foot Shroud- SC31024</p> <p>21. Battery Box Shroud- SC31027</p> <p>22. Disconnect Handle Assembly- SC31019</p> <p>23. Red Decoration- SC31041
Deluxe Red Decoration- SC31041-D
Blue Decoration- SC31042
Deluxe Blue Decoration- SC31042-D</p> <p>24. Front Frame- SC31040</p> <p>25. Black Seat- SC35045
Deluxe Two Tone Seat- SC31035
Deluxe Back Cover- SC31035-BC
Deluxe Seat Cover- SC31035-SC</p> | <p>26. Left Armrest- BC35040L
Right Armrest- BC35040R
Arm Pad- BC953014</p> <p>27. Armrest Knob- S31052</p> <p>28. Seat Plate- SC31023</p> <p>29. Seat Post- SC31018 ***</p> <p>30. Seat Post Bolt- C07-071-00101</p> <p>31. Battery Box Hold Down- SC31047</p> <p>32. Battery Box & Batteries(12V 12ah)- SC31007
Battery Box Only(12V 12ah)- SC31006
Battery 12V 12ah (2 needed)- LRM402109
Battery Box & Batteries(12V 20ah)- SC31050
Battery Box Only(12V 20ah)- SC31051
Battery 12V 20ah (2 needed)- LRM412123</p> <p>33. Charger Socket & Harness- SC31031</p> <p>34. 20 Amp Circuit Breaker- BC20ACB</p> <p>35. Battery Contact- C12-060-00300</p> <p>36. Motor/Brake/Transaxle Assembly- SC31053
Transaxle- BC350112
Motor- SC31036
Electro Magnetic Brake- SC31037</p> <p>37. Rear Wheel Black- SC31003
Deluxe Rear Wheel- SC31003-D</p> <p>38. Hub Cap- SC31025</p> <p>39. Rear Axle Bolt Assembly- SC31049</p> <p>40. Controller Curtis- SC31052
Controller Dynamic- C10-069-00100-3 ***</p> <p>41. Wire Harness Complete-
Curtis- SC31026
Dynamic- DST-018 ***</p> <p>42. Connection Block- SC31033</p> <p>43. Rear Shroud- SC31011</p> <p>44. Rear Frame- SC31012</p> <p>45. Anti-Tipper Wheel- S31026</p> <p>46. Motor Wire Harness- SC31020</p> <p>47. Charger- LRM302111</p> <p>*** After Serial # VP142824
**** No longer available in chrome once stock is gone.</p> |
|--|---|