

# Quick Start Guide

## GB120 – Buzzaround™ Carry On



Read before assembly.

### Step 1.

Squeeze the yellow tiller lever and raise the tiller up until it stops. Release the lever to lock the tiller. See figure 1.

### Step 2.

Grasp the seat pedestal as shown and pull the seat frame up and back until locked. See figure 2.

### Step 3.

Remove the battery pack, by pushing in on the release button. See figure 3.

### Step 4.



**The scooter will not operate until the power fuse is installed.**

Remove the power module cover. See figure 2. Then move the fuse, and reinstall the cover. See figure 4.

### Step 5.

Insert the battery pack with the Golden logo toward the front. Slide the pack rearward and pivot the front down to lock it in place.

### Step 6.

Place the seat onto the seat frame facing forward and push down to lock it. See figure 5.

### Step 7.

Pull each arm upward until they lock into place.

### Step 8.

Lift the seat back.

### Step 9.

Make sure the freewheel switch is in the engaged (0) position. See figure 5.

### Step 10.

Sit on the seat, facing forward, insert key and turn the key to the right. Verify that the battery meter on the dash illuminates indicating power on and that the scooter is not flashing/beeping. If it is flashing/beeping, count the number of beeps/ flashes, and refer to your owner's manual to determine the problem. If the battery meter is illuminated and there are no beeps/ flashes, your scooter is assembled correctly, and you are ready to ride.

## **NOTICE**

New batteries must be fully charged prior to the initial use of the product. Connect the charger to the scooter first, then the wall outlet, and charge the batteries for 12 hours before using the product.



**WARNING** This scooter uses a Lithium battery pack. Only the charger supplied with this scooter may be used with this product.

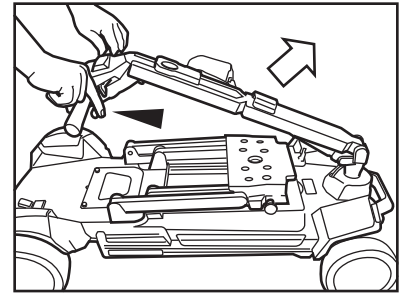


Figure 1

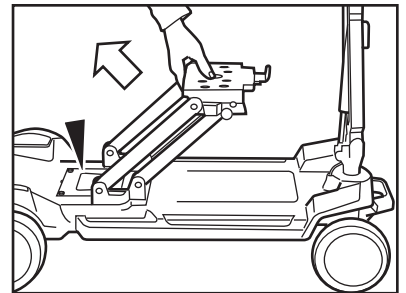


Figure 2

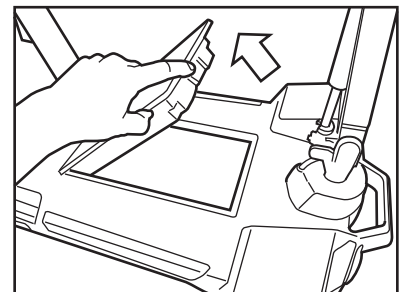


Figure 3

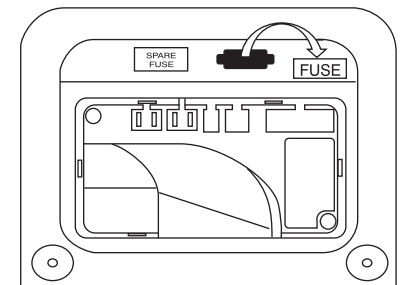


Figure 4

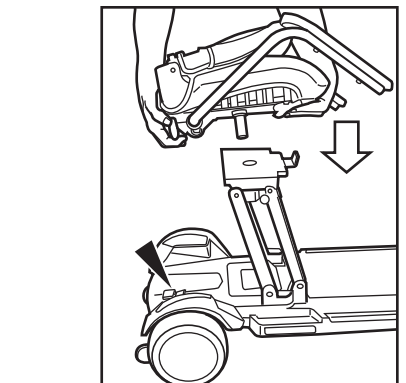


Figure 5