

LiteRider Envy Seat Post Quick Start Guide (GP162)

- 1 Remove the seat post from its packaging. See figure 1.

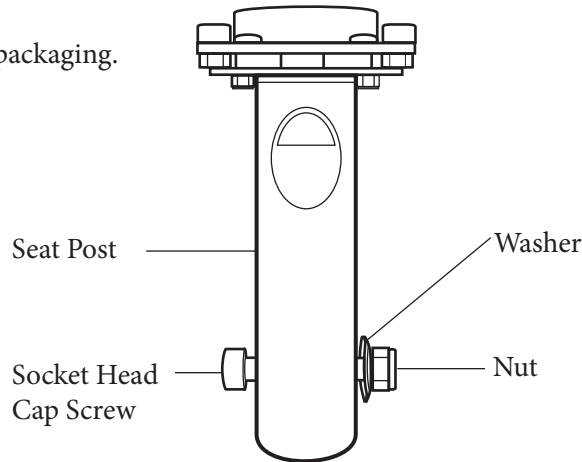


Fig. 1 - Seat Post Assembly (Shown as packaged).

- 2 Remove all hardware from the seat post and retain for assembly. Note the different size openings on each side of the seat pedestal on the power chair. See Figures 2 and 3.

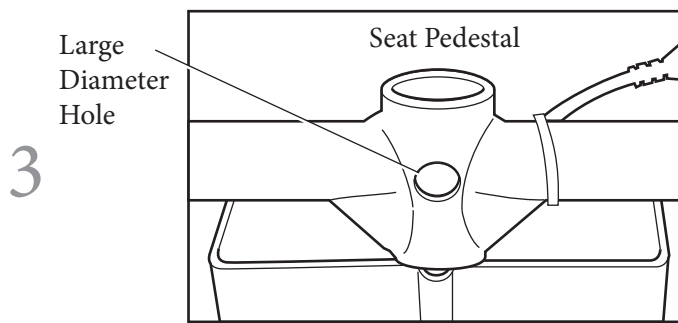


Fig. 2 - Seat Pedestal, Front Side of Power Chair

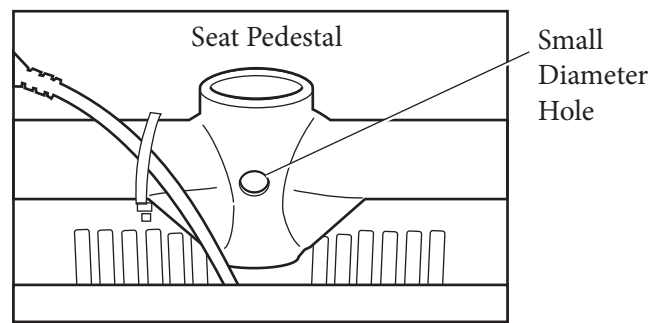


Fig. 3 - Seat Pedestal, Rear Side of Power Chair

- 4 Place the seat post into the seat pedestal as shown in figure 4 and align the holes for your desired height.
- 5 While holding the aligned seat post and pedestal, insert the socket head cap screw into the large hole as shown in figure 4. Next, place the washer and nut onto the bolt and tighten bolt (M8 GR12.9) securely.

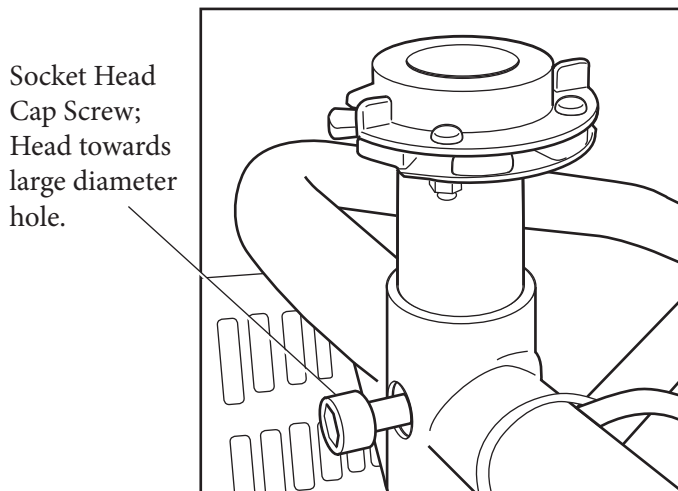


Fig 4. Seat Post Install, Front Side of Power Chair

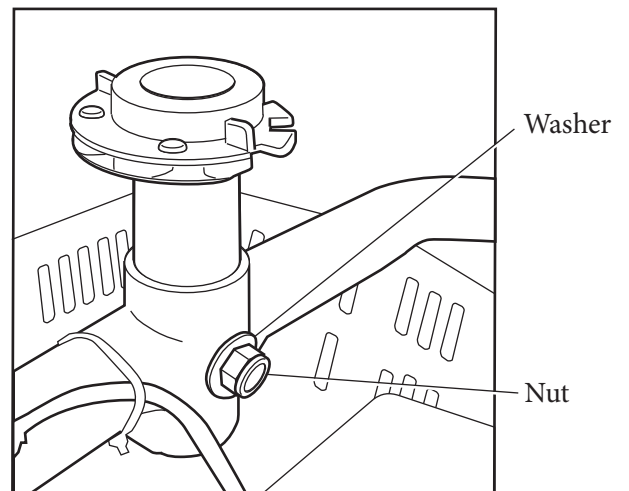


Fig 5. Seat Post Install, Rear Side of Power Chair