

# Quick Start Guide

## GC240, GC340, GC440 – Companion



Read before assembly.

### Step 1.

Squeeze the tiller adjustment lever (located on the right hand side of the tiller), then raise the tiller up, and release the lever to secure the tiller in the upright position.

### Step 2.

Loosen the two thumb screws on the battery cover, then remove the battery cover. See figure 1.

### Step 3.

Plug each battery into the scooter (red to red and black to black) making sure the connectors are secured. See figure 2. Make sure that each battery is secured with the hoop and loop straps and that the freewheel lever is in the engaged position. See figure 3.

### Step 4.

Hold the seat at an angle to visually align the seat swivel post, and the seat post on the scooter. Lower the seat swivel post into the seat post. Push down to make sure it is seated securely and unable to move side to side. Pull up on the swivel handle and move the seat so that it is facing in the forward position if not already there. See figure 4.

### Step 5.

Loosen each arm width adjustment knob (located at the bottom rear of the seat frame). Insert each arm into the arm receiver tube. Adjust the width of each arm. Tighten each arm width adjustment knob to secure each arm in place. See figure 4.

### Step 6.

Sit on the seat, facing forward, insert key and turn the key to the right. Verify that the battery meter on the dash illuminates indicating power on and that the power indicator LED is not flashing and the horn is not beeping.

✓ If there is flashing/beeping, count the number of flashes/beeps, and refer to your owner's manual to determine the problem.

✓ If the battery meter does not illuminate, remove the seat, loosen the two thumb screws on the battery cover, and remove the cover. See figure 1. Make sure both batteries are connected. See figure 2.

✓ If the battery meter is illuminated and the power indicator is not flashing and the horn is not beeping, your scooter is assembled correctly, and you are ready to ride.

**NOTICE** New batteries must be fully charged prior to the initial use of the product. Connect the charger to the scooter first, then the wall outlet, and charge the batteries for 12 hours before using the product.

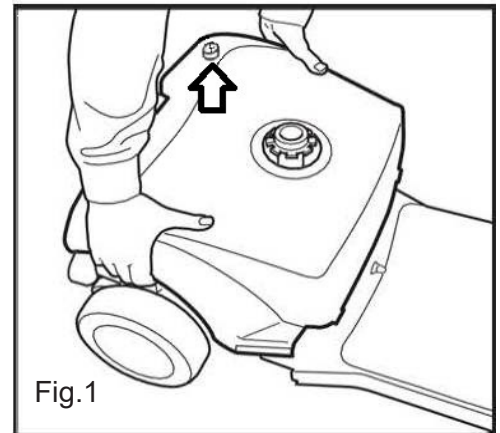


Fig.1

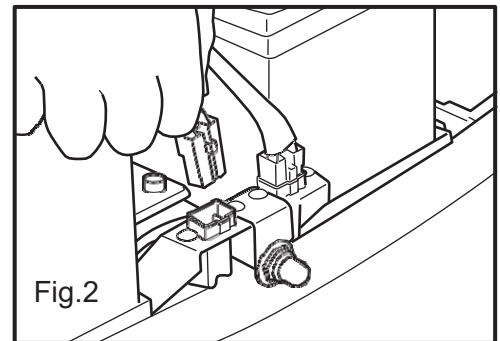


Fig.2

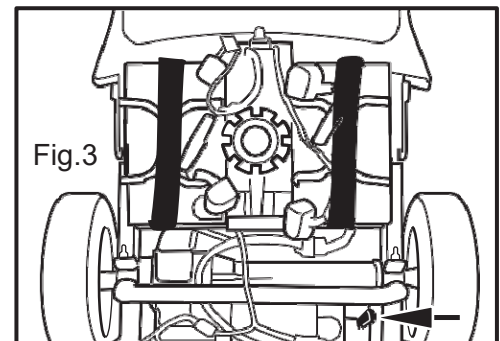


Fig.3

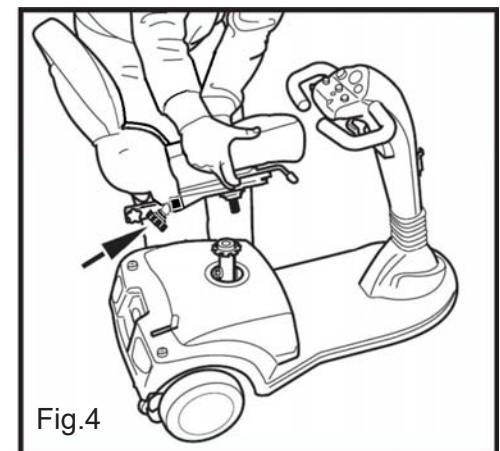


Fig.4